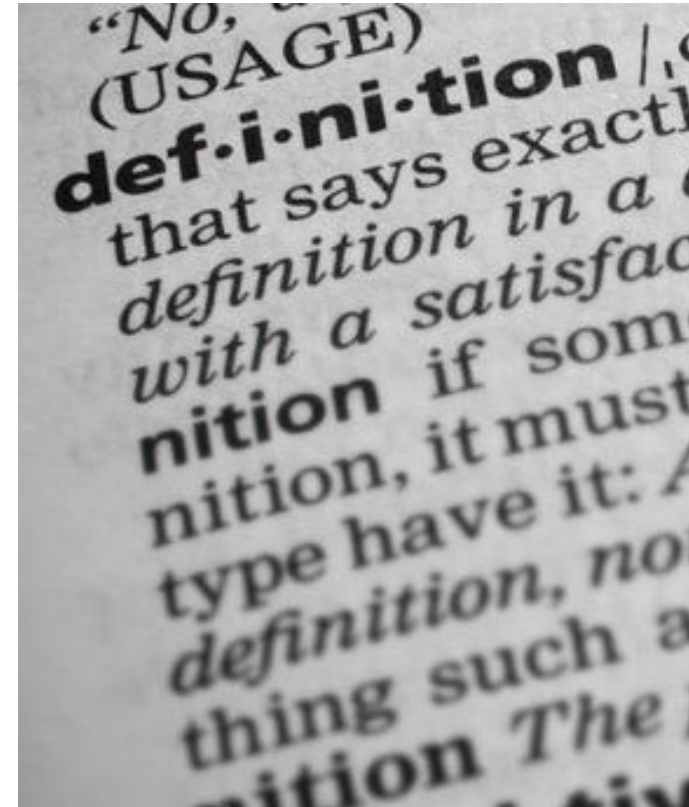


What Is Computational Storage?

Eli Tiomkin , Chair, SNIA Computational Storage SIG
NGD Systems

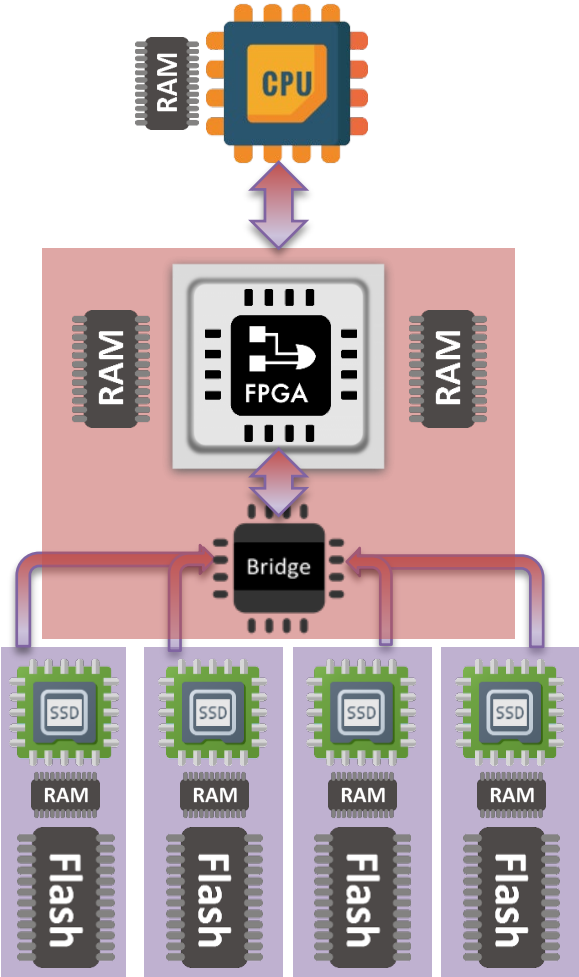
Speaking the Same Language

- **Computational Storage:**
 - Architectures that provide Computational Storage Services coupled to storage offloading host processing and/or reducing data movement.
- **Two Foundational Constructs**
 - Computational Storage Devices (CSx)
 - Computational Storage Services (CSS)

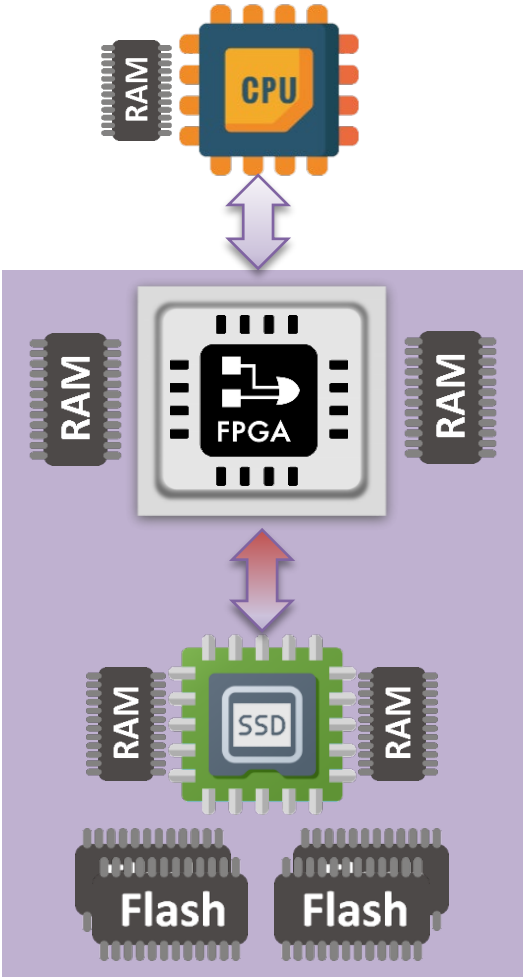


Computational Storage Examples

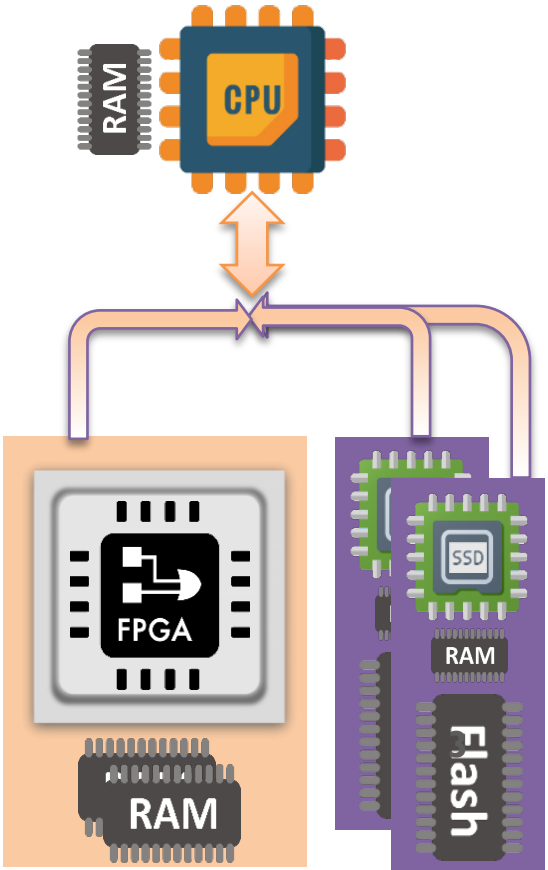
CSD = CSP (FPGA) + External SSD



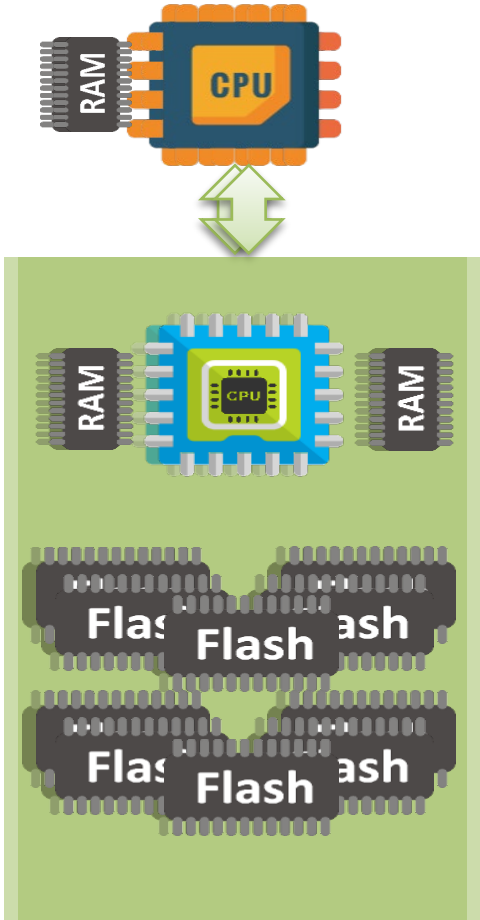
CSD = CSP (FPGA) + Embedded SSD



CSP (FPGA) with System-based SSDs



CSD = All-in-One Solution CSP + SSD (ASIC)





Learn more about Computational Storage

- Videos on SNIAMedia
YouTube Channel: [Computational Storage: What Is Computational Storage?](#)
[Computational Storage: Advantages of Reducing Data Movement](#)
[Computational Storage: Edge Compute Deployment](#)
- Web: www.SNIA.org/Computational
Twitter: [@SNIAComputation](https://twitter.com/SNIAComputation)
Blog: [SNIA on Compute Memory & Storage](#)
Educational Library: www.SNIA.org/educational-library