



Storage Management Technical Specification, Part 6 Fabric

Version 1.6.1, Revision 6

Abstract: This SNIA Technical Position defines an interface between WBEM-capable clients and servers for the secure, extensible, and interoperable management of networked storage.

This document has been released and approved by the SNIA. The SNIA believes that the ideas, methodologies and technologies described in this document accurately represent the SNIA goals and are appropriate for widespread distribution. Suggestions for revision should be directed to <http://www.snia.org/feedback/>.

SNIA Technical Position

November 30, 2016

Revision History

Revision 1

Date

5/25/12

SCRs Incorporated and other changes

None

Revision 2

Date

27 August 2013

SCRs Incorporated and other changes

Fabric part number changed to Part 6, per ISO request change re SMI-S 1.5

Comments

Editorial notes and DRAFT material are displayed.

Revision 3

Date

4 December 2013

SCRs Incorporated and other changes

None

Comments

Editorial notes are displayed.

DRAFT material is hidden.

Revision 4

Date

25 February 2014

SCRs Incorporated and other changes

None

Comments

Editorial notes and DRAFT material are hidden.

Revision 5

Date

11 August 2014

SCRs Incorporated and other changes

Fabric profile

- OtherIdentifyInfo issue fixed (mantis 4498).

Annex: SMI-S Information Model

- CIM version updated to V2.41 per TSG ballot -- Correct CIM Schema Version in SMI-S.

Comments

Editorial notes and DRAFT material are hidden.

Revision 6

Date

11 October 2016

SCRs Incorporated and other changes

None

Comments

Editorial notes and DRAFT material are hidden.

Suggestion for changes or modifications to this document should be sent to the SNIA Storage Management Initiative Technical Steering Group (SMI-TSG) at <http://www.snia.org/feedback/>

USAGE

The SNIA hereby grants permission for individuals to use this document for personal use only, and for corporations and other business entities to use this document for internal use only (including internal copying, distribution, and display) provided that:

- 1) Any text, diagram, chart, table or definition reproduced shall be reproduced in its entirety with no alteration, and,
- 2) Any document, printed or electronic, in which material from this document (or any portion hereof) is reproduced shall acknowledge the SNIA copyright on that material, and shall credit the SNIA for granting permission for its reuse.

Other than as explicitly provided above, you may not make any commercial use of this document, sell any or this entire document, or distribute this document to third parties. All rights not explicitly granted are expressly reserved to SNIA.

Permission to use this document for purposes other than those enumerated above may be requested by e-mailing tcmd@snia.org. Please include the identity of the requesting individual and/or company and a brief description of the purpose, nature, and scope of the requested use.

All code fragments, scripts, data tables, and sample code in this SNIA document are made available under the following license:

BSD 3-Clause Software License

Copyright (c) 2014-2016, The Storage Networking Industry Association.

Redistribution and use in source and binary forms, with or without modification, are permitted provided that the following conditions are met:

- Redistributions of source code must retain the above copyright notice, this list of conditions and the following disclaimer.
- Redistributions in binary form must reproduce the above copyright notice, this list of conditions and the following disclaimer in the documentation and/or other materials provided with the distribution.
- Neither the name of The Storage Networking Industry Association (SNIA) nor the names of its contributors may be used to endorse or promote products derived from this software without specific prior written permission.

THIS SOFTWARE IS PROVIDED BY THE COPYRIGHT HOLDERS AND CONTRIBUTORS "AS IS" AND ANY EXPRESS OR IMPLIED WARRANTIES, INCLUDING, BUT NOT LIMITED TO, THE IMPLIED WARRANTIES OF MERCHANTABILITY AND FITNESS FOR A PARTICULAR PURPOSE ARE DISCLAIMED. IN NO EVENT SHALL THE COPYRIGHT OWNER OR CONTRIBUTORS BE LIABLE FOR ANY DIRECT, INDIRECT, INCIDENTAL, SPECIAL, EXEMPLARY, OR CONSEQUENTIAL DAMAGES (INCLUDING, BUT NOT LIMITED TO, PROCUREMENT OF SUBSTITUTE GOODS OR SERVICES; LOSS OF USE, DATA, OR PROFITS; OR BUSINESS INTERRUPTION) HOWEVER CAUSED AND ON ANY THEORY OF LIABILITY, WHETHER IN CONTRACT, STRICT LIABILITY, OR TORT (INCLUDING NEGLIGENCE OR OTHERWISE) ARISING IN ANY WAY OUT OF THE USE OF THIS SOFTWARE, EVEN IF ADVISED OF THE POSSIBILITY OF SUCH DAMAGE.

DISCLAIMER

The information contained in this publication is subject to change without notice. The SNIA makes no warranty of any kind with regard to this specification, including, but not limited to, the implied warranties of merchantability and fitness for a particular purpose. The SNIA shall not be liable for errors contained herein or for incidental or consequential damages in connection with the furnishing, performance, or use of this specification.

Suggestions for revisions should be directed to <http://www.snia.org/feedback/>.

Copyright © 2003-2016 SNIA. All rights reserved. All other trademarks or registered trademarks are the property of their respective owners.

Portions of the CIM Schema are used in this document with the permission of the Distributed Management Task Force (DMTF). The CIM classes that are documented have been developed and reviewed by both the SNIA and DMTF Technical Working Groups. However, the schema is still in development and review in the DMTF Working Groups and Technical Committee, and subject to change.

INTENDED AUDIENCE

This document is intended for use by individuals and companies engaged in developing, deploying, and promoting interoperable multi-vendor SANs through the Storage Networking Industry Association (SNIA) organization.

CHANGES TO THE SPECIFICATION

Each publication of this specification is uniquely identified by a three-level identifier, comprised of a version number, a release number and an update number. The current identifier for this specification is version 1.2.0. Future publications of this specification are subject to specific constraints on the scope of change that is permissible from one publication to the next and the degree of interoperability and backward compatibility that should be assumed between products designed to different publications of this standard. The SNIA has defined three levels of change to a specification:

- **Major Revision:** A major revision of the specification represents a substantial change to the underlying scope or architecture of the SMI-S API. A major revision results in an increase in the version number of the version identifier (e.g., from version 1.x.x to version 2.x.x). There is no assurance of interoperability or backward compatibility between releases with different version numbers.
- **Minor Revision:** A minor revision of the specification represents a technical change to existing content or an adjustment to the scope of the SMI-S API. A minor revision results in an increase in the release number of the specification's identifier (e.g., from x.1.x to x.2.x). Minor revisions with the same version number preserve interoperability and backward compatibility.
- **Update:** An update to the specification is limited to minor corrections or clarifications of existing specification content. An update will result in an increase in the third component of the release identifier (e.g., from x.x.1 to x.x.2). Updates with the same version and minor release levels preserve interoperability and backward compatibility.

TYPOGRAPHICAL CONVENTIONS

Maturity Level

In addition to informative and normative content, this specification includes guidance about the maturity of emerging material that has completed a rigorous design review but has limited implementation in commercial products. This material is clearly delineated as described in the following sections. The typographical convention is intended to provide a sense of the maturity of the affected material, without altering its normative content. By recognizing the relative maturity of different sections of the standard, an implementer should be able to make more informed decisions about the adoption and deployment of different portions of the standard in a commercial product.

This specification has been structured to convey both the formal requirements and assumptions of the SMI-S API and its emerging implementation and deployment lifecycle. Over time, the intent is that all content in the specification will represent a mature and stable design, be verified by extensive implementation experience, assure consistent support for backward compatibility, and rely solely on content material that has reached a similar level of maturity. Unless explicitly labeled with one of the subordinate maturity levels defined for this specification, content is assumed to satisfy these requirements and is referred to as "Finalized". Since much of the evolving specification

content in any given release will not have matured to that level, this specification defines three subordinate levels of implementation maturity that identify important aspects of the content's increasing maturity and stability. Each subordinate maturity level is defined by its level of implementation experience, its stability and its reliance on other emerging standards. Each subordinate maturity level is identified by a unique typographical tagging convention that clearly distinguishes content at one maturity model from content at another level.

Experimental Maturity Level

No material is included in this specification unless its initial architecture has been completed and reviewed. Some content included in this specification has complete and reviewed design, but lacks implementation experience and the maturity gained through implementation experience. This content is included in order to gain wider review and to gain implementation experience. This material is referred to as “Experimental”. It is presented here as an aid to implementers who are interested in likely future developments within the SMI specification. The contents of an Experimental profile may change as implementation experience is gained. There is a high likelihood that the changed content will be included in an upcoming revision of the specification. Experimental material can advance to a higher maturity level as soon as implementations are available. Figure 1 is a sample of the typographical convention for Experimental content.

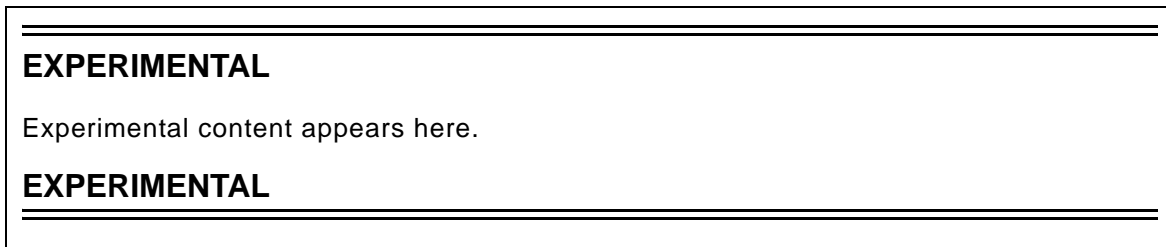


Figure 1 - Experimental Maturity Level Tag

Implemented Maturity Level

Profiles for which initial implementations have been completed are classified as “Implemented”. This indicates that at least two different vendors have implemented the profile, including at least one provider implementation. At this maturity level, the underlying architecture and modeling are stable, and changes in future revisions will be limited to the correction of deficiencies identified through additional implementation experience. Should the material become obsolete in the future, it must be deprecated in a minor revision of the specification prior to its removal from subsequent releases. Figure 2 is a sample of the typographical convention for Implemented content.

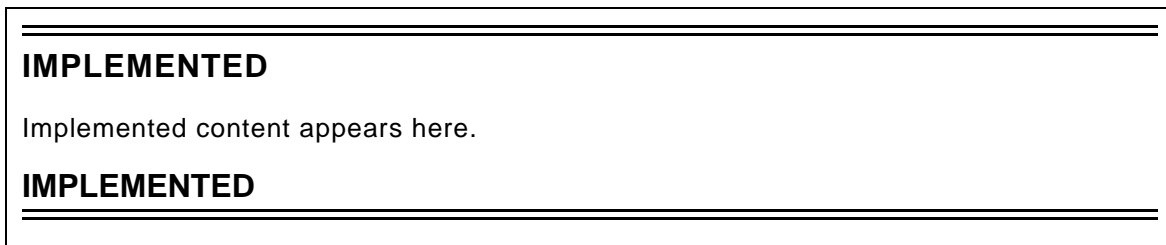


Figure 2 - Implemented Maturity Level Tag

Stable Maturity Level

Once content at the Implemented maturity level has garnered additional implementation experience, it can be tagged at the Stable maturity level. Material at this maturity level has been implemented by three different vendors, including both a provider and a client. Should material that has reached this maturity level become obsolete, it may only be deprecated as part of a minor revision to the specification. Material at this maturity level that has been deprecated may only be removed from the specification as part of a major revision. A profile that has reached this maturity level is guaranteed to preserve backward compatibility from one minor specification revision to the next. As a result, Profiles at or above the Stable maturity level shall not rely on any content that is Experimental. Figure 3 is a sample of the typographical convention for Implemented content



Figure 3 - Stable Maturity Level Tag

Finalized Maturity Level

Content that has reached the highest maturity level is referred to as “Finalized.” In addition to satisfying the requirements for the Stable maturity level, content at the Finalized maturity level must solely depend upon or refine material that has also reached the Finalized level. If specification content depends upon material that is not under the control of the SNIA, and therefore not subject to its maturity level definitions, then the external content is evaluated by the SNIA to assure that it has achieved a comparable level of completion, stability, and implementation experience. Should material that has reached this maturity level become obsolete, it may only be deprecated as part of a major revision to the specification. A profile that has reached this maturity level is guaranteed to preserve backward compatibility from one minor specification revision to the next. Over time, it is hoped that all specification content will attain this maturity level. Accordingly, there is no special typographical convention, as there is with the other, subordinate maturity levels. Unless content in the specification is marked with one of the typographical conventions defined for the subordinate maturity levels, it should be assumed to have reached the Finalized maturity level.

Deprecated Material

Non-Experimental material can be deprecated in a subsequent revision of the specification. Sections identified as “Deprecated” contain material that is obsolete and not recommended for use in new development efforts. Existing and new implementations may still use this material, but shall move to the newer approach as soon as possible. The maturity level of the material being deprecated determines how long it will continue to appear in the specification. Implemented content shall be retained at least until the next revision of the specialization, while Stable and Finalized material shall be retained until the next major revision of the specification. Providers shall implement the deprecated elements as long as it appears in the specification in order to achieve backward compatibility. Clients may rely on deprecated elements, but are encouraged to use non-deprecated alternatives when possible.

Deprecated sections are documented with a reference to the last published version to include the deprecated section as normative material and to the section in the current specification with the replacement. Figure 4 contains a sample of the typographical convention for deprecated content.

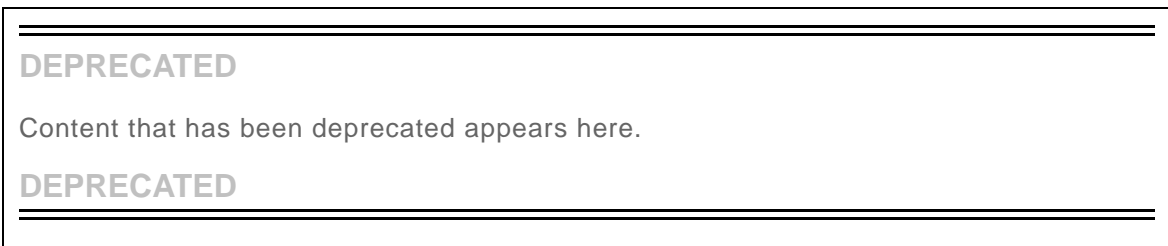


Figure 4 - Deprecated Tag

Contents

Revision History	3
List of Figures	15
List of Tables	17
Foreword	27
1 Scope	29
2 Normative References	31
2.1 Approved references	31
2.2 References under development	31
2.3 Other references	31
3 Definitions, Symbols, Abbreviations, and Conventions	33
4 Fabric Profile	35
4.1 Description	35
4.2 Health and Fault Management	42
4.3 Cascading Considerations	42
4.4 Supported Subprofiles and Package	42
4.5 Methods of this Profile	42
4.6 Client Considerations and Recipes	42
4.7 Registered Name and Version	48
4.8 CIM Elements	48
5 Enhanced Zoning and Enhanced Zone Control Subprofile	93
5.1 Description	93
5.2 Health and Fault Management	93
5.3 Cascading Considerations	93
5.4 Dependencies on Profiles, Subprofiles, and Packages	93
5.5 Methods of this Profile	93
5.6 Client Considerations and Recipes	93
5.7 Registered Name and Version	97
5.8 CIM Elements	97
6 Zone Control Subprofile	101
6.1 Description	101
6.2 Durable Names and Correlatable IDs of the Profile	101
6.3 Instrumentation Requirements	101
6.4 Health and Fault Management	101
6.5 Cascading Considerations	101
6.6 Dependencies on Profiles, Subprofiles, and Packages	101
6.7 Methods of this Profile	101
6.8 Client Considerations and Recipes	106
6.9 Registered Name and Version	117
6.10 CIM Elements	118
7 FDMI Subprofile	121
7.1 Description	121
7.2 Health and Fault Management	121
7.3 Cascading Considerations	121
7.4 Dependencies on Profiles, Subprofiles, and Packages	122
7.5 Methods of this Profile	122
7.6 Client Considerations and Recipes	122
7.7 Registered Name and Version	122
7.8 CIM Elements	122

8	Fabric Path Performance Subprofile	133
8.1	Description	133
8.2	Health and Fault Management.....	133
8.3	Dependencies on Profiles, Subprofiles, and Packages	133
8.4	Methods of this Profile.....	133
8.5	Client Considerations and Recipes	134
8.6	Registered Name and Version	134
8.7	CIM Elements.....	134
9	Fibre Channel Security Subprofile.....	139
9.1	Description	139
9.2	Health and Fault Management Consideration.....	141
9.3	Cascading Considerations	141
9.4	Supported Profiles, Subprofiles, and Packages.....	141
9.5	Methods of the Profile	141
9.6	Client Considerations and Recipes	141
9.7	Registered Name and Version	142
9.8	CIM Elements.....	142
10	Fabric Views Subprofile.....	147
10.1	Description	147
10.2	Health and Fault Management Consideration.....	150
10.3	Cascading Considerations	151
10.4	Supported Profiles, Subprofiles, and Packages.....	151
10.5	Methods of the Profile	151
10.6	Client Considerations and Recipes	151
10.7	Registered Name and Version	151
10.8	CIM Elements.....	151
11	Virtual Fabrics Subprofile	159
11.1	Description	159
11.2	Health and Fault Management Consideration.....	161
11.3	Cascading Considerations	161
11.4	Supported Profiles, Subprofiles, and Packages.....	161
11.5	Methods of the Profile	162
11.6	Client Considerations and Recipes	162
11.7	Registered Name and Version	162
11.8	CIM Elements.....	162
12	Switch Profile.....	165
12.1	Description	165
12.2	Health and Fault Management.....	170
12.3	Cascading Considerations	171
12.4	Dependencies on Profiles, Subprofiles, and Packages	171
12.5	Methods of this Profile.....	171
12.6	Client Considerations and Recipes	171
12.7	Registered Name and Version	188
12.8	CIM Elements.....	189
13	Switch Configuration Data Subprofile.....	217
13.1	Description	217
13.2	Durable Names and Correlatable IDs of the Profile	217
13.3	Instrumentation Requirements	217
13.4	Health and Fault Management.....	217
13.5	Cascading Considerations	217

13.6	Methods of this Profile.....	217
13.7	Client Considerations and Recipes	218
13.8	Registered Name and Version	218
13.9	CIM Elements.....	219
14	Blades Subprofile	221
14.1	Description	221
14.2	Health and Fault Management.....	223
14.3	Cascading Considerations	223
14.4	Dependencies on Profiles, Subprofiles, and Packages	223
14.5	Methods of this Profile.....	223
14.6	Client Considerations and Recipes	223
14.7	Registered Name and Version	223
14.8	CIM Elements.....	223
15	Switch Partitioning Subprofile.....	235
15.1	Description	235
15.2	Health and Fault Management Consideration.....	237
15.3	Cascading Considerations	237
15.4	Supported Profiles, Subprofiles, and Packages.....	237
15.5	Methods of the Profile	237
15.6	Client Considerations and Recipes	237
15.7	Registered Name and Version	237
15.8	CIM Elements.....	237
16	Extender Profile	245
16.1	Description	245
16.2	Health and Fault Management.....	248
16.3	Cascading Considerations	249
16.4	Supported Subprofiles and Packages.....	249
16.5	Methods of this Profile.....	249
16.6	Client Considerations and Recipes	249
16.7	Registered Name and Version	259
16.8	CIM Elements.....	260
17	Router Profile.....	291
18	SAS Expander Profile.....	293
18.1	Description	293
18.2	Health and Fault Management Consideration.....	294
18.3	Cascading Considerations	294
18.4	Supported Profiles, Subprofiles, and Packages.....	294
18.5	Methods of the Profile	294
18.6	Client Considerations and Recipes	294
18.7	CIM Elements.....	294
18.8	Registered Name and Version	294
18.9	CIM Elements.....	295
19	N Port Virtualizer Profile	301
19.1	Description	301
19.2	Implementation.....	301
19.3	Health and Fault Management Consideration.....	302
19.4	Cascading Considerations	302
19.5	Supported Profiles, Subprofiles, and Packages.....	302
19.6	Methods of the Profile	302
19.7	Client Considerations and Recipes	302

19.8	Registered Name and Version	302
19.9	CIM Elements.....	302
20	Inter Fabric Routing Profile.....	313
20.1	Description	313
20.2	Health and Fault Management Consideration.....	316
20.3	Cascading Considerations	316
20.4	Supported Profiles, Subprofiles, and Packages.....	316
20.5	Methods of the Profile	316
20.6	Client Considerations and Recipes	317
20.7	Registered Name and Version	317
20.8	CIM Elements.....	317
21	FCoE Fabric Profile	323
21.1	Description	323
21.2	Health and Fault Management Consideration.....	325
21.3	Supported Profiles, Subprofiles, and Packages.....	325
21.4	Methods of the Profile	325
21.5	Client Considerations and Recipes	325
21.6	Registered Name and Version	325
21.7	CIM Elements.....	325
Annex A	(informative) SMI-S Information Model.....	337
Annex B	(Informative) Structure of Fabric Profiles.....	339

List of Figures

Figure 1 - Experimental Maturity Level Tag	8
Figure 2 - Implemented Maturity Level Tag	8
Figure 3 - Stable Maturity Level Tag.....	9
Figure 4 - Deprecated Tag.....	9
Figure 5 - Fabric Instance	35
Figure 6 - NPIV Instance.....	37
Figure 7 - Zoning Instance (AdminDomain)	38
Figure 8 - Zoning Instance (ComputerSystem).....	39
Figure 9 - Predefined Fabric IndicationFilters and Collection	41
Figure 10 - FDMI Instance	121
Figure 11 - Instance Diagram	133
Figure 12 - Specialization of Security Authorization Subprofile for Membership Policy.....	140
Figure 13 - Specialization of Security Authorization Subprofile for Connectivity Policy.....	141
Figure 14 - Class Diagram for Fabric View Classes	148
Figure 15 - Fabric View Class Capabilities	149
Figure 16 - Topology View Class	150
Figure 17 - FCSwitch View Class	150
Figure 18 - RegisteredProfile/Subprofile, AdminDomain, and ComputerSystem Relationships.....	159
Figure 19 - Two Virtual Fabric and Two Partitioning Systems	160
Figure 20 - Two Virtual Fabrics and One Partitioning System	161
Figure 21 - Switch Instance Diagram.....	166
Figure 22 - Trunking Instance Diagram	167
Figure 23 - Predefined Switch IndicationFilters and Collection.....	170
Figure 24 - Switch Configuration Data Instance	217
Figure 25 - Switch Blade Instance	221
Figure 26 - Predefined Blades IndicationFilters and Collection	222
Figure 27 - Switch ComputerSystem and Partitioning System	235
Figure 28 - Switch and Partitioning System and Partitioning Ports.....	236
Figure 29 - Underlying System Port Settings and Capabilities	236
Figure 30 - FC Extender Node Instance	246
Figure 31 - FC Extender Group Instance.....	247
Figure 32 - Predefined Extender IndicationFilters and Collection.....	248
Figure 33 - SAS Expander Instance Diagram.....	293
Figure 34 - N Port Virtualizer	301
Figure 35 - IFR Switch Topology	314
Figure 36 - Inter Fabric Routing Ports.....	316
Figure 37 - FCoE Fabric Instance Diagram	324
Figure B.1 The structure of the Fabric Part Profiles	339
Figure B.2 AdminDomain Properties	342
Figure B.3 Associations on AdminDomains	344
Figure B.4 Properties of various Switches	346
Figure B.5 Associations on Switches	348
Figure B.6 General ComputerSystem Properties	350

Figure B.7	General ComputerSystem Associations	352
Figure B.8	Switch FCPort Properties	354
Figure B.9	Switch FCPort Associations	355
Figure B.10	Non-Switch Port Properties	357
Figure B.11	Non-Switch Port Associations	358

List of Tables

Table 1 - Supported Profiles for Fabric.....	42
Table 2 - Port OperationalStatus	43
Table 3 - OperationalStatus for ComputerSystem.....	43
Table 4 - CIM Elements for Fabric.....	48
Table 5 - SMI Referenced Properties/Methods for CIM_ActiveConnection.....	54
Table 6 - SMI Referenced Properties/Methods for CIM_AdminDomain (Fabric).....	55
Table 7 - SMI Referenced Properties/Methods for CIM_AdminDomain (SAN)	55
Table 8 - SMI Referenced Properties/Methods for CIM_Component (Platform to Fabric)	56
Table 9 - SMI Referenced Properties/Methods for CIM_Component (Switch to Fabric)	56
Table 10 - SMI Referenced Properties/Methods for CIM_ComputerSystem (Host Platform).....	56
Table 11 - SMI Referenced Properties/Methods for CIM_ComputerSystem (Partitioned Switch).....	57
Table 12 - SMI Referenced Properties/Methods for CIM_ComputerSystem (Storage Platform)	58
Table 13 - SMI Referenced Properties/Methods for CIM_ComputerSystem (Switch).....	58
Table 14 - SMI Referenced Properties/Methods for CIM_ConnectivityCollection	59
Table 15 - SMI Referenced Properties/Methods for CIM_ContainedDomain.....	60
Table 16 - SMI Referenced Properties/Methods for CIM_DeviceSAPImplementation (Non-Switch to FCPort).....	60
Table 17 - SMI Referenced Properties/Methods for CIM_DeviceSAPImplementation (Switch to FCPort)	60
Table 18 - SMI Referenced Properties/Methods for CIM_ElementCapabilities (ZoneCapabilities to Fabric.).....	61
Table 19 - SMI Referenced Properties/Methods for CIM_ElementCapabilities (ZoneCapabilities to Switch.)	61
Table 20 - SMI Referenced Properties/Methods for CIM_ElementSettingData (ZoneMembershipSettingData to Zone)	61
Table 21 - SMI Referenced Properties/Methods for CIM_FCActiveConnection.....	62
Table 22 - SMI Referenced Properties/Methods for CIM_FCPort (Host FCPort)	62
Table 23 - SMI Referenced Properties/Methods for CIM_FCPort (Host NPIV FCPort).....	63
Table 24 - SMI Referenced Properties/Methods for CIM_FCPort (Partitioned Switch FCPort).....	64
Table 25 - SMI Referenced Properties/Methods for CIM_FCPort (Storage FCPort).....	66
Table 26 - SMI Referenced Properties/Methods for CIM_FCPort (Switch FCPort)	67
Table 27 - SMI Referenced Properties/Methods for CIM_FilterCollection (Fabric Predefined FilterCollection)	68
Table 28 - SMI Referenced Properties/Methods for CIM_FilterCollection (Fabric ProfileSpecificAlertIndica- tionFilterCollection).....	69
Table 29 - SMI Referenced Properties/Methods for CIM_FilterCollection (Fabric ProfileSpecificLifecycleIndi- cationFilterCollection)	69
Table 30 - SMI Referenced Properties/Methods for CIM_HostedAccessPoint (AdminDomain to ProtocolEnd- point).....	69
Table 31 - SMI Referenced Properties/Methods for CIM_HostedAccessPoint (ComputerSystem to Protoco- lEndpoint)	70
Table 32 - SMI Referenced Properties/Methods for CIM_HostedCollection (AdminDomain to Fabric Profile- SpecificAlertIndicationFilterCollection)	70
Table 33 - SMI Referenced Properties/Methods for CIM_HostedCollection (AdminDomain to Fabric Profile- SpecificLifecycleIndicationFilterCollection).....	71
Table 34 - SMI Referenced Properties/Methods for CIM_HostedCollection (Fabric to ConnectivityCollection).....	71
Table 35 - SMI Referenced Properties/Methods for CIM_HostedCollection (Fabric to predefined FilterCol- lection)	71
Table 36 - SMI Referenced Properties/Methods for CIM_HostedCollection (System to LogicalPortGroup)	72
Table 37 - SMI Referenced Properties/Methods for CIM_HostedCollection (Zones or ZoneSets to Fabric)	72
Table 38 - SMI Referenced Properties/Methods for CIM_HostedCollection (Zones or ZoneSets to Switch).....	72
Table 39 - SMI Referenced Properties/Methods for CIM_HostedDependency	73

Table 40 - SMI Referenced Properties/Methods for CIM_IndicationFilter (Fabric ComputerSystem Creation) ...	73
Table 41 - SMI Referenced Properties/Methods for CIM_IndicationFilter (Fabric ComputerSystem Deletion)	74
Table 42 - SMI Referenced Properties/Methods for CIM_IndicationFilter (Fabric ComputerSystem OperationalStatus).....	75
Table 43 - SMI Referenced Properties/Methods for CIM_IndicationFilter (Fabric FCPort Creation).....	76
Table 44 - SMI Referenced Properties/Methods for CIM_IndicationFilter (Fabric FCPort Deletion)	77
Table 45 - SMI Referenced Properties/Methods for CIM_IndicationFilter (Fabric FCPort OperationalStatus).....	78
Table 46 - SMI Referenced Properties/Methods for CIM_IndicationFilter (Fabric Fabric Added or Removed)....	79
Table 47 - SMI Referenced Properties/Methods for CIM_IndicationFilter (Fabric Fabric Merge or Segmentation).....	79
Table 48 - SMI Referenced Properties/Methods for CIM_IndicationFilter (Fabric Switch Added or Removed).....	80
Table 49 - SMI Referenced Properties/Methods for CIM_IndicationFilter (Fabric Switch Status Changed)	81
Table 50 - SMI Referenced Properties/Methods for CIM_IndicationFilter (Fabric Zone Database Changed).....	82
Table 51 - SMI Referenced Properties/Methods for CIM_IndicationFilter (Fabric ZoneSet Activated)	83
Table 52 - SMI Referenced Properties/Methods for CIM_IndicationFilter (WQL Fabric ComputerSystem OperationalStatus)	84
Table 53 - SMI Referenced Properties/Methods for CIM_IndicationFilter (WQL Fabric FCPort OperationalStatus)	85
Table 54 - SMI Referenced Properties/Methods for CIM_LogicalPortGroup.....	85
Table 55 - SMI Referenced Properties/Methods for CIM_MemberOfCollection (ConnectivityCollection to ProtocolEndpoint)	86
Table 56 - SMI Referenced Properties/Methods for CIM_MemberOfCollection (Fabric ProfileSpecificAlertIndicationFilterCollection to Fabric Filters)	86
Table 57 - SMI Referenced Properties/Methods for CIM_MemberOfCollection (Fabric ProfileSpecificLifecycleIndicationFilterCollection to Fabric Filters).....	87
Table 58 - SMI Referenced Properties/Methods for CIM_MemberOfCollection (LogicalPortGroup to FCPort) ...	87
Table 59 - SMI Referenced Properties/Methods for CIM_MemberOfCollection (Predefined Filter Collection to Fabric Filters).....	87
Table 60 - SMI Referenced Properties/Methods for CIM_MemberOfCollection (ZoneSet to Zone).....	88
Table 61 - SMI Referenced Properties/Methods for CIM_ProtocolEndpoint	88
Table 62 - SMI Referenced Properties/Methods for CIM_SystemDevice (Non-Switch FCPort to Fabric)	88
Table 63 - SMI Referenced Properties/Methods for CIM_SystemDevice (Non-Switch FCPort to Platform)	89
Table 64 - SMI Referenced Properties/Methods for CIM_SystemDevice (Switch FCPort to Switch).....	89
Table 65 - SMI Referenced Properties/Methods for CIM_Zone (Active)	89
Table 66 - SMI Referenced Properties/Methods for CIM_Zone (Inactive).....	90
Table 67 - SMI Referenced Properties/Methods for CIM_ZoneCapabilities.....	90
Table 68 - SMI Referenced Properties/Methods for CIM_ZoneMembershipSettingData.....	91
Table 69 - SMI Referenced Properties/Methods for CIM_ZoneSet (Active).....	92
Table 70 - SMI Referenced Properties/Methods for CIM_ZoneSet (Inactive)	92
Table 71 - Supported Profiles for Enhanced Zoning and Enhanced Zoning Control.....	93
Table 72 - CIM Elements for Enhanced Zoning and Enhanced Zoning Control.....	97
Table 73 - SMI Referenced Properties/Methods for CIM_ElementSettingData (ZoneMembershipSettingData to NamedAddressCollection)	97
Table 74 - SMI Referenced Properties/Methods for CIM_HostedCollection (AdminDomain to Collection).....	98
Table 75 - SMI Referenced Properties/Methods for CIM_HostedCollection (ComputerSystem to Collection)	98
Table 76 - SMI Referenced Properties/Methods for CIM_MemberOfCollection	98
Table 77 - SMI Referenced Properties/Methods for CIM_NamedAddressCollection	99
Table 78 - SMI Referenced Properties/Methods for CIM_ZoneService (Zone Service).....	99
Table 79 - CIM Elements for Zone Control	118
Table 80 - SMI Referenced Properties/Methods for CIM_HostedService (Fabric (AdminDomain) to Zone-	

Service)	118
Table 81 - SMI Referenced Properties/Methods for CIM_HostedService (Switch (ComputerSystem) to ZoneService)	118
Table 82 - SMI Referenced Properties/Methods for CIM_ZoneService (Zone Service)	119
Table 83 - CIM Elements for FDMI	122
Table 84 - SMI Referenced Properties/Methods for CIM_Component (Host Server to Fabric)	123
Table 85 - SMI Referenced Properties/Methods for CIM_ComputerSystem (Host Server)	123
Table 86 - SMI Referenced Properties/Methods for CIM_ControlledBy	124
Table 87 - SMI Referenced Properties/Methods for CIM_ElementSoftwareIdentity	124
Table 88 - SMI Referenced Properties/Methods for CIM_FCPort (Host FCPort)	124
Table 89 - SMI Referenced Properties/Methods for CIM_HostedCollection (System to LogicalPortGroup)	125
Table 90 - SMI Referenced Properties/Methods for CIM_InstalledSoftwareIdentity	126
Table 91 - SMI Referenced Properties/Methods for CIM_MemberOfCollection (LogicalPortGroup to FCPort)	126
Table 92 - SMI Referenced Properties/Methods for CIM_PhysicalPackage (HBA Package)	126
Table 93 - SMI Referenced Properties/Methods for CIM_PortController	127
Table 94 - SMI Referenced Properties/Methods for CIM_Product (HBA Product)	127
Table 95 - SMI Referenced Properties/Methods for CIM_ProductPhysicalComponent	128
Table 96 - SMI Referenced Properties/Methods for CIM_Realizes	128
Table 97 - SMI Referenced Properties/Methods for CIM_SoftwareIdentity (Driver)	129
Table 98 - SMI Referenced Properties/Methods for CIM_SoftwareIdentity (Firmware)	129
Table 99 - SMI Referenced Properties/Methods for CIM_SoftwareIdentity (Option ROM)	130
Table 100 - SMI Referenced Properties/Methods for CIM_SystemDevice (ComputerSystem to FCPort)	130
Table 101 - SMI Referenced Properties/Methods for CIM_SystemDevice (ComputerSystem to PortController)	130
Table 102 - CIM Elements for Fabric Path Performance	134
Table 103 - SMI Referenced Properties/Methods for CIM_ElementStatisticalData	135
Table 104 - SMI Referenced Properties/Methods for CIM_EndpointOfNetworkPipe	135
Table 105 - SMI Referenced Properties/Methods for CIM_HostedCollection	135
Table 106 - SMI Referenced Properties/Methods for CIM_HostedNetworkPipe	136
Table 107 - SMI Referenced Properties/Methods for CIM_MemberOfCollection	136
Table 108 - SMI Referenced Properties/Methods for CIM_Network	136
Table 109 - SMI Referenced Properties/Methods for CIM_NetworkPipe	137
Table 110 - SMI Referenced Properties/Methods for CIM_NetworkPortStatistics	137
Table 111 - SMI Referenced Properties/Methods for CIM_ProtocolEndpoint	138
Table 112 - SMI Referenced Properties/Methods for CIM_StatisticsCollection	138
Table 113 - CIM Elements for FabricSecurity	142
Table 114 - SMI Referenced Properties/Methods for CIM_AuthorizationService	142
Table 115 - SMI Referenced Properties/Methods for CIM_AuthorizedPrivilege	143
Table 116 - SMI Referenced Properties/Methods for CIM_AuthorizedSubject	143
Table 117 - SMI Referenced Properties/Methods for CIM_AuthorizedTarget	143
Table 118 - SMI Referenced Properties/Methods for CIM_HostedService	144
Table 119 - SMI Referenced Properties/Methods for CIM_ServiceAffectsElement (ManagedElement to Service)	144
Table 120 - SMI Referenced Properties/Methods for CIM_ServiceAffectsElement (StorageHardwareID to Service)	145
Table 121 - SMI Referenced Properties/Methods for CIM_ServiceAvailableToElement (Fabric AdminDomain to Service)	145
Table 122 - SMI Referenced Properties/Methods for CIM_StorageHardwareID	145
Table 123 - CIM Elements for Fabric Views	151
Table 124 - SMI Referenced Properties/Methods for CIM_ElementCapabilities (View Capabilities)	152

Table 125 - SMI Referenced Properties/Methods for CIM_ElementView (View to FC Port)	152
Table 126 - SMI Referenced Properties/Methods for CIM_ElementView (View to Switch)	153
Table 127 - SMI Referenced Properties/Methods for CIM_ViewCapabilities	153
Table 128 - SMI Referenced Properties/Methods for SNIA_ComponentView (FCSwitchView to Fabric)	154
Table 129 - SMI Referenced Properties/Methods for SNIA_ComponentView (TopologyView to Fabric).....	154
Table 130 - SMI Referenced Properties/Methods for SNIA_FCSwitchView	154
Table 131 - SMI Referenced Properties/Methods for SNIA_TopologyView	156
Table 132 - Supported Profiles for FabricVirtualFabrics	161
Table 133 - CIM Elements for FabricVirtualFabrics	162
Table 134 - SMI Referenced Properties/Methods for CIM_Component (AdminDomain to Partitioning CS)	162
Table 135 - SMI Referenced Properties/Methods for CIM_ElementConformsToProfile (SAN AdminDomain to Virtual Fabrics RegisteredProfile).....	163
Table 136 - DetailedPortState for FCPort.....	168
Table 137 - PortAvailability for FCPort.....	168
Table 138 - Supported Profiles for Switch	171
Table 139 - CIM Elements for Switch	189
Table 140 - SMI Referenced Properties/Methods for CIM_ComputerSystem (Partitioned Switch).....	192
Table 141 - SMI Referenced Properties/Methods for CIM_ComputerSystem (Switch)	193
Table 142 - SMI Referenced Properties/Methods for CIM_ComputerSystemPackage	194
Table 143 - SMI Referenced Properties/Methods for CIM_ElementCapabilities (FCPort to FCPortCapabilities).....	194
Table 144 - SMI Referenced Properties/Methods for CIM_ElementCapabilities (System to FCSwitchCapabilities).....	194
Table 145 - SMI Referenced Properties/Methods for CIM_ElementSettingData (FCPortSettings to FCPort).....	195
Table 146 - SMI Referenced Properties/Methods for CIM_ElementSettingData (FCSwitchSettings to ComputerSystem)	195
Table 147 - SMI Referenced Properties/Methods for CIM_ElementStatisticalData (FCPortRateStatistics to FCPort)	195
Table 148 - SMI Referenced Properties/Methods for CIM_ElementStatisticalData (FCPortStatistics to FC-Port).....	196
Table 149 - SMI Referenced Properties/Methods for CIM_FCPort (Partitioned Switch FCPort).....	196
Table 150 - SMI Referenced Properties/Methods for CIM_FCPort (Switch FCPort).....	198
Table 151 - SMI Referenced Properties/Methods for CIM_FCPortCapabilities	199
Table 152 - SMI Referenced Properties/Methods for CIM_FCPortRateStatistics	200
Table 153 - SMI Referenced Properties/Methods for CIM_FCPortSettings	201
Table 154 - SMI Referenced Properties/Methods for CIM_FCPortStatistics	201
Table 155 - SMI Referenced Properties/Methods for CIM_FCSwitchCapabilities	203
Table 156 - SMI Referenced Properties/Methods for CIM_FCSwitchSettings	204
Table 157 - SMI Referenced Properties/Methods for CIM_FilterCollection (Switch Predefined FilterCollection).....	204
Table 158 - SMI Referenced Properties/Methods for CIM_FilterCollection (Switch ProfileSpecificLifecycleIndicationFilterCollection)	204
Table 159 - SMI Referenced Properties/Methods for CIM_HostedCollection (Redundancy Set).....	205
Table 160 - SMI Referenced Properties/Methods for CIM_HostedCollection (Statistics Collection).....	205
Table 161 - SMI Referenced Properties/Methods for CIM_HostedCollection (Switch to ProfileSpecificLifecycleIndicationFilterCollection).....	205
Table 162 - SMI Referenced Properties/Methods for CIM_HostedCollection (Switch to predefined FilterCollection)	206
Table 163 - SMI Referenced Properties/Methods for CIM_IndicationFilter (Switch ComputerSystem Creation).....	206
Table 164 - SMI Referenced Properties/Methods for CIM_IndicationFilter (Switch ComputerSystem Deletion).....	207
Table 165 - SMI Referenced Properties/Methods for CIM_IndicationFilter (Switch ComputerSystem OperationalStatus).....	208

Table 166	- SMI Referenced Properties/Methods for CIM_IndicationFilter (Switch FCPort OperationalStatus)	.209
Table 167	- SMI Referenced Properties/Methods for CIM_IndicationFilter (WQL Switch ComputerSystem OperationalStatus)210
Table 168	- SMI Referenced Properties/Methods for CIM_IndicationFilter (WQL Switch FCPort Operational-Status)211
Table 169	- SMI Referenced Properties/Methods for CIM_MemberOfCollection (FCPort to RedundancySet)	...211
Table 170	- SMI Referenced Properties/Methods for CIM_MemberOfCollection (NetworkPortStatistics to Sta-tisticalCollection)212
Table 171	- SMI Referenced Properties/Methods for CIM_MemberOfCollection (Predefined Filter Collection to Switch Filters)212
Table 172	- SMI Referenced Properties/Methods for CIM_MemberOfCollection (Switch ProfileSpecificLifecy-cleIndicationFilterCollection to Switch Filters)212
Table 173	- SMI Referenced Properties/Methods for CIM_ProtocolEndpoint213
Table 174	- SMI Referenced Properties/Methods for CIM_RedundancySet213
Table 175	- SMI Referenced Properties/Methods for CIM_StatisticsCollection214
Table 176	- SMI Referenced Properties/Methods for CIM_SystemDevice214
Table 177	- CIM Elements for Switch Configuration Data219
Table 178	- SMI Referenced Properties/Methods for CIM_ComputerSystem219
Table 179	- SMI Referenced Properties/Methods for CIM_ConfigurationData219
Table 180	- SMI Referenced Properties/Methods for CIM_ElementSettingData220
Table 181	- CIM Elements for Blades223
Table 182	- SMI Referenced Properties/Methods for CIM_FilterCollection (Blades Predefined Filter Collec-tion)225
Table 183	- SMI Referenced Properties/Methods for CIM_FilterCollection (Blades ProfileSpecificLifecycleIndi-cationFilterCollection)225
Table 184	- SMI Referenced Properties/Methods for CIM_HostedCollection (Switch to Blades predefined FilterCollection)226
Table 185	- SMI Referenced Properties/Methods for CIM_HostedCollection (System to Blades Profile-SpecificLifecycleIndicationFilterCollection)226
Table 186	- SMI Referenced Properties/Methods for CIM_IndicationFilter (Blades LogicalModule Creation)226
Table 187	- SMI Referenced Properties/Methods for CIM_IndicationFilter (Blades LogicalModule Deletion)227
Table 188	- SMI Referenced Properties/Methods for CIM_IndicationFilter (Blades LogicalModule Operati-onalStatus)228
Table 189	- SMI Referenced Properties/Methods for CIM_IndicationFilter (WQL Blades LogicalModule Oper-ationalStatus)229
Table 190	- SMI Referenced Properties/Methods for CIM_LogicalModule230
Table 191	- SMI Referenced Properties/Methods for CIM_MemberOfCollection (Blades FilterCollection to Switch FilterCollection)231
Table 192	- SMI Referenced Properties/Methods for CIM_MemberOfCollection (Blades ProfileSpecificLifecy-cleIndicationFilterCollection to Blades Filters)231
Table 193	- SMI Referenced Properties/Methods for CIM_MemberOfCollection (Predefined Filter Collection to Blades Filters)231
Table 194	- SMI Referenced Properties/Methods for CIM_ModulePort232
Table 195	- SMI Referenced Properties/Methods for CIM_PhysicalPackage (Logical Module)232
Table 196	- SMI Referenced Properties/Methods for CIM_Product (Blade)232
Table 197	- SMI Referenced Properties/Methods for CIM_ProductPhysicalComponent233
Table 198	- SMI Referenced Properties/Methods for CIM_Realizes (Logical Module Package)233
Table 199	- SMI Referenced Properties/Methods for CIM_SystemDevice (Logical Module)234
Table 200	- Supported Profiles for FabricSwitchPartitioning237
Table 201	- CIM Elements for FabricSwitchPartitioning237
Table 202	- SMI Referenced Properties/Methods for CIM_ComputerSystem (Partitioned)238
Table 203	- SMI Referenced Properties/Methods for CIM_ComputerSystem (Partitioning)239

Table 204 - SMI Referenced Properties/Methods for CIM_ElementCapabilities (Association between NetworkPort and NetworkPortCapabilities).....	239
Table 205 - SMI Referenced Properties/Methods for CIM_ElementConformsToProfile (Partitioning Computer-System to Switch Partitioning RegisteredProfile)	240
Table 206 - SMI Referenced Properties/Methods for CIM_ElementSettingData (Association between NetworkPort and NetworkPortSettings)	240
Table 207 - SMI Referenced Properties/Methods for CIM_FCPort (Partitioned).....	240
Table 208 - SMI Referenced Properties/Methods for CIM_HostedDependency (NetworkPort to FCPort).....	241
Table 209 - SMI Referenced Properties/Methods for CIM_HostedDependency (Partitioning CS to Partitioned CS).....	242
Table 210 - SMI Referenced Properties/Methods for CIM_NetworkPort (Partitioning).....	242
Table 211 - SMI Referenced Properties/Methods for CIM_NetworkPortCapabilities	242
Table 212 - SMI Referenced Properties/Methods for CIM_NetworkPortSettings.....	243
Table 213 - SMI Referenced Properties/Methods for CIM_SystemDevice (FCPort to Partitioned Computer-System)	243
Table 214 - SMI Referenced Properties/Methods for CIM_SystemDevice (NetworkPort to ComputerSystem).....	244
Table 215 - Supported Profiles for Extender.....	249
Table 216 - CIM Elements for Extender.....	260
Table 217 - SMI Referenced Properties/Methods for CIM_BindsTo (IPPE to PE)	263
Table 218 - SMI Referenced Properties/Methods for CIM_BindsTo (IPPE to RemoteSAP)	263
Table 219 - SMI Referenced Properties/Methods for CIM_BindsTo (IPPE to RemoteSAP)	264
Table 220 - SMI Referenced Properties/Methods for CIM_BindsTo (PE to RemotePort)	264
Table 221 - SMI Referenced Properties/Methods for CIM_BindsTo (TCPPE to IPPE)	264
Table 222 - SMI Referenced Properties/Methods for CIM_BindsTo (TCPPE to PE)	265
Table 223 - SMI Referenced Properties/Methods for CIM_BindsTo (TCPPE to RemotePort).....	265
Table 224 - SMI Referenced Properties/Methods for CIM_Component	265
Table 225 - SMI Referenced Properties/Methods for CIM_ComputerSystem (Extender Node).....	266
Table 226 - SMI Referenced Properties/Methods for CIM_DeviceSAPImplementation.....	266
Table 227 - SMI Referenced Properties/Methods for CIM_ElementSettingData (IPPE to IPSettings).....	267
Table 228 - SMI Referenced Properties/Methods for CIM_ElementSettingData (PE to FCIPSettings)	267
Table 229 - SMI Referenced Properties/Methods for CIM_ElementSettingData (System to FCIPSettings)	268
Table 230 - SMI Referenced Properties/Methods for CIM_ElementSettingData (System to IPSettings)	268
Table 231 - SMI Referenced Properties/Methods for CIM_ElementSettingData (System to TCPSettings)	268
Table 232 - SMI Referenced Properties/Methods for CIM_ElementSettingData (TCPPE to TCPSettings)	269
Table 233 - SMI Referenced Properties/Methods for CIM_ElementStatisticalData (EthernetPort to Ethernet-PortStatistics)	269
Table 234 - SMI Referenced Properties/Methods for CIM_ElementStatisticalData (FCPort to FCPortStatistics).....	270
Table 235 - SMI Referenced Properties/Methods for CIM_ElementStatisticalData (IPPE to IPEndpointStatistics).....	270
Table 236 - SMI Referenced Properties/Methods for CIM_ElementStatisticalData (System to TCPStatistical-Data).....	270
Table 237 - SMI Referenced Properties/Methods for CIM_ElementStatisticalData (TCPPE to TCPEndpoint-Statistics).....	271
Table 238 - SMI Referenced Properties/Methods for CIM_EndpointOfNetworkPipe (PE to NetworkPipe).....	271
Table 239 - SMI Referenced Properties/Methods for CIM_EndpointOfNetworkPipe (TCPPE to NetworkPipe).....	271
Table 240 - SMI Referenced Properties/Methods for CIM_EthernetPort.....	272
Table 241 - SMI Referenced Properties/Methods for CIM_EthernetPortStatistics	272
Table 242 - SMI Referenced Properties/Methods for CIM_FCIPSettings.....	273
Table 243 - SMI Referenced Properties/Methods for CIM_FCPort	274
Table 244 - SMI Referenced Properties/Methods for CIM_FCPortStatistics	275

Table 245 - SMI Referenced Properties/Methods for CIM_FilterCollection (Extender Predefined FilterCollection).....	276
Table 246 - SMI Referenced Properties/Methods for CIM_HostedAccessPoint (ComputerSystem to IPProtocolEndpoint).....	277
Table 247 - SMI Referenced Properties/Methods for CIM_HostedAccessPoint (ComputerSystem to TCPProtocolEndpoint).....	277
Table 248 - SMI Referenced Properties/Methods for CIM_HostedAccessPoint (ComputerSystem to ProtocolEndpoint)	277
Table 249 - SMI Referenced Properties/Methods for CIM_HostedCollection (Extender to predefined FilterCollection).....	278
Table 250 - SMI Referenced Properties/Methods for CIM_HostedNetworkPipe	278
Table 251 - SMI Referenced Properties/Methods for CIM_IPEndpointStatistics	278
Table 252 - SMI Referenced Properties/Methods for CIM_IPProtocolEndpoint.....	279
Table 253 - SMI Referenced Properties/Methods for CIM_IPSettings	280
Table 254 - SMI Referenced Properties/Methods for CIM_IndicationFilter (Extender ComputerSystem Creation).....	280
Table 255 - SMI Referenced Properties/Methods for CIM_IndicationFilter (Extender ComputerSystem Deletion).....	281
Table 256 - SMI Referenced Properties/Methods for CIM_IndicationFilter (Extender ComputerSystem OperationalStatus).....	282
Table 257 - SMI Referenced Properties/Methods for CIM_IndicationFilter (WQL Extender ComputerSystem OperationalStatus).....	283
Table 258 - SMI Referenced Properties/Methods for CIM_LANEEndpoint.....	284
Table 259 - SMI Referenced Properties/Methods for CIM_MemberOfCollection (Predefined Filter Collection to Extender Filters)	285
Table 260 - SMI Referenced Properties/Methods for CIM_Network.....	285
Table 261 - SMI Referenced Properties/Methods for CIM_NetworkPipe	285
Table 262 - SMI Referenced Properties/Methods for CIM_NetworkPipeComposition	286
Table 263 - SMI Referenced Properties/Methods for CIM_ProtocolEndpoint	286
Table 264 - SMI Referenced Properties/Methods for CIM_RemotePort.....	287
Table 265 - SMI Referenced Properties/Methods for CIM_RemoteServiceAccessPoint	287
Table 266 - SMI Referenced Properties/Methods for CIM_SystemDevice (System to EthernetPort)	288
Table 267 - SMI Referenced Properties/Methods for CIM_SystemDevice (System to FCPort)	288
Table 268 - SMI Referenced Properties/Methods for CIM_TCPEndpointStatistics	288
Table 269 - SMI Referenced Properties/Methods for CIM_TCPProtocolEndpoint	289
Table 270 - SMI Referenced Properties/Methods for CIM_TCPSettings.....	289
Table 271 - SMI Referenced Properties/Methods for CIM_TCPStatisticalData.....	290
Table 272 - Supported Profiles for SAS Expander	294
Table 273 - CIM Elements for SAS Expander	295
Table 274 - SMI Referenced Properties/Methods for CIM_ComputerSystem.....	295
Table 275 - SMI Referenced Properties/Methods for CIM_ConcreteComponent.....	296
Table 276 - SMI Referenced Properties/Methods for CIM_ElementSoftwareIdentity.....	296
Table 277 - SMI Referenced Properties/Methods for CIM_Product	297
Table 278 - SMI Referenced Properties/Methods for CIM_ProductElementComponent.....	297
Table 279 - SMI Referenced Properties/Methods for CIM_SASPort.....	297
Table 280 - SMI Referenced Properties/Methods for CIM_SoftwareIdentity.....	298
Table 281 - SMI Referenced Properties/Methods for CIM_SystemDevice (Port).....	298
Table 282 - SMI Referenced Properties/Methods for CIM_SystemDevice (SASPHY).....	299
Table 283 - SMI Referenced Properties/Methods for SNIA_SASPHY	299
Table 284 - Supported Profiles for N Port Virtualizer.....	302
Table 285 - CIM Elements for N Port Virtualizer.....	302

Table 286 - SMI Referenced Properties/Methods for CIM_Component (N Port Virtualizer to Fabric).....	303
Table 287 - SMI Referenced Properties/Methods for CIM_ComputerSystem (N Port Virtualizer)	304
Table 288 - SMI Referenced Properties/Methods for CIM_ComputerSystemPackage (N Port Virtualizer to Physical Package)	304
Table 289 - SMI Referenced Properties/Methods for CIM_DeviceSAPImplementation (ProtocolEndpoint to Gateway FCPort).....	305
Table 290 - SMI Referenced Properties/Methods for CIM_DeviceSAPImplementation (ProtocolEndpoint to NPIV FCPort).....	305
Table 291 - SMI Referenced Properties/Methods for CIM_FCActiveConnection (Gateway)	305
Table 292 - SMI Referenced Properties/Methods for CIM_FCActiveConnection (N Port Virtualization).....	306
Table 293 - SMI Referenced Properties/Methods for CIM_FCPort (Fabric NPIV).....	306
Table 294 - SMI Referenced Properties/Methods for CIM_FCPort (Gateway).....	307
Table 295 - SMI Referenced Properties/Methods for CIM_HostedAccessPoint (N Port Virtualizer System to ProtocolEndpoint).....	308
Table 296 - SMI Referenced Properties/Methods for CIM_LogicalIdentity (NPIV Port to Switch Port)	309
Table 297 - SMI Referenced Properties/Methods for CIM_ProtocolEndpoint (N Port Virtualizer).....	309
Table 298 - SMI Referenced Properties/Methods for CIM_SystemDevice (N Port Virtualizer Gateway FC-Port to Gateway System).....	309
Table 299 - SMI Referenced Properties/Methods for CIM_SystemDevice (N Port Virtualizer NPIV FCPort to Gateway System)	310
Table 300 - CIM Elements for Inter Fabric Routing	317
Table 301 - SMI Referenced Properties/Methods for CIM_Component (Backbone Switch to Fabric)	317
Table 302 - SMI Referenced Properties/Methods for CIM_Component (IFR Switch to Fabric)	318
Table 303 - SMI Referenced Properties/Methods for CIM_ComputerSystem (Backbone Switch)	318
Table 304 - SMI Referenced Properties/Methods for CIM_ComputerSystem (IFR Switch)	319
Table 305 - SMI Referenced Properties/Methods for CIM_FCActiveConnection	320
Table 306 - SMI Referenced Properties/Methods for CIM_FCPort (IFR FCPort).....	321
Table 307 - SMI Referenced Properties/Methods for CIM_ProtocolEndpoint	322
Table 308 - CIM Elements for Fabric FCoE	325
Table 309 - SMI Referenced Properties/Methods for CIM_AdminDomain (Ethernet Network)	326
Table 310 - SMI Referenced Properties/Methods for CIM_Component (Switch to Ethernet Network)	327
Table 311 - SMI Referenced Properties/Methods for CIM_ComputerSystem (Ethernet Switch)	327
Table 312 - SMI Referenced Properties/Methods for CIM_ConnectivityCollection (LANEndpoints to Ethernet-Network)	328
Table 313 - SMI Referenced Properties/Methods for CIM_DeviceSAPImplementation (Ethernet Switch to EthernetPort)	328
Table 314 - SMI Referenced Properties/Methods for CIM_DeviceSAPImplementation (Non-Switch to EthernetPort).....	329
Table 315 - SMI Referenced Properties/Methods for CIM_FCActiveConnection (FC Links transported over Ethernet (FCoE))	329
Table 316 - SMI Referenced Properties/Methods for CIM_FCPort (Host FCPort)	329
Table 317 - SMI Referenced Properties/Methods for CIM_FCPort (Partitioned Switch FCPort).....	330
Table 318 - SMI Referenced Properties/Methods for CIM_FilterCollection (Fabric Predefined FilterCollection)	332
Table 319 - SMI Referenced Properties/Methods for CIM_HostedAccessPoint (AdminDomain to LANEndpoint).....	332
Table 320 - SMI Referenced Properties/Methods for CIM_HostedAccessPoint (ComputerSystem to LANEndpoint).....	333
Table 321 - SMI Referenced Properties/Methods for CIM_HostedCollection (Ethernet Network AdminDomain to ConnectivityCollection)	333
Table 322 - SMI Referenced Properties/Methods for CIM_HostedCollection (Fabric to predefined FilterCollection).....	333
Table 323 - SMI Referenced Properties/Methods for CIM_HostedDependency (ComputerSystem (Ethernet	

Switch) to Partitioning ComputerSystem).....	334
Table 324 - SMI Referenced Properties/Methods for CIM_HostedDependency (FCPort to EthernetPort)	334
Table 325 - SMI Referenced Properties/Methods for CIM_LANEndpoint (Ethernet ProtocolEndpoint)	334
Table 326 - SMI Referenced Properties/Methods for CIM_MemberOfCollection (ConnectivityCollection to LANEndpoint)	335
Table 327 - SMI Referenced Properties/Methods for CIM_MemberOfCollection (Predefined Filter Collection to Fabric Filters).....	335
Table 328 - SMI Referenced Properties/Methods for CIM_SystemDevice (Switch EthernetPort to Switch)	336
Table B.1 AdminDomain Properties	341
Table B.2 AdminDomain Associations	342
Table B.3 Switch ComputerSystem Properties	345
Table B.4 Switch ComputerSystem Associations	346
Table B.5 Non-Switch ComputerSystem Properties	349
Table B.6 Non-Switch ComputerSystem Associations	350
Table B.7 Switch FCPort Properties	352
Table B.8 Switch FCPort Associations	354
Table B.9 Non-Switch Port Properties	356
Table B.10 Non-Switch Port Associations	357

Foreword

The Fabric Part of the *Storage Management Technical Specification* defines management profiles for Autonomous (top level) profiles for programs and devices whose central function is providing support for storage networking. The Fabric Part includes fabric management including topology and device management for switches. The Fabric part also provides management of extenders that pass fibre channel frames over other protocols as well as a gateway that maps and translates iSCSI to Fibre Channel. As part of fabric management, this specification also has controls for fibre channel zoning and fibre channel security.

Parts of this Standard

This standard is subdivided in the following parts:

- *Storage Management Technical Specification, Part 1 Overview, 1.6.1 Rev 6*
- *Storage Management Technical Specification, Part 2 Common Architecture, 1.6.1 Rev 6*
- *Storage Management Technical Specification, Part 3 Common Profiles, 1.6.1 Rev 6*
- *Storage Management Technical Specification, Part 4 Block Devices, 1.6.1 Rev 6*
- *Storage Management Technical Specification, Part 5 Filesystems, 1.6.1 Rev 6*
- *Storage Management Technical Specification, Part 6 Fabric, 1.6.1 Rev 6*
- *Storage Management Technical Specification, Part 7 Host Elements, 1.6.1 Rev 6*
- *Storage Management Technical Specification, Part 8 Media Libraries, 1.6.1 Rev 6*

SNIA Web Site

Current SNIA practice is to make updates and other information available through their web site at <http://www.snia.org>

SNIA Address

Requests for interpretation, suggestions for improvement and addenda, or defect reports are welcome. They should be sent via the SNIA Feedback Portal at <http://www.snia.org/feedback/> or by mail to the Storage Networking Industry Association, 4360 ArrowsWest Drive, Colorado Springs, Colorado 80907, U.S.A.

1 Scope

The *Storage Management Technical Specification, Part 6 Fabric* defines management profiles for Autonomous (top level) profiles for programs and devices whose central function is providing support for storage networking. This version of *Storage Management Technical Specification, Part 6 Fabric* includes four autonomous profiles:

- Fabric

This profile defines the model and functions of a storage network including topology and zoning control.

- Switch

This profile defines the model and functions of a Fibre Channel Switch including state, status, and control of the device and it's connections and product information,

- Extender

This profile defines the model and functions of a networking device that allows for fibre channel to be extended over other networks, and specifically over IP (FCIP).

- iSCSI to FC Gateway

This profile defines the model and functions of a networking device that maps and switches iSCSI frames from a IP network to a fibre channel fabric.

2 Normative References

The following referenced documents are indispensable for the application of this document. For dated references, only the edition cited applies. For undated references, the latest edition of the referenced document (including any amendments) applies.

2.1 Approved references

ISO/IEC 14776-452, SCSI Primary Commands - 2 (SPC-2) [ANSI INCITS.351-2001]

2.2 References under development

Storage Management Technical Specification, Part 2 Common Architecture, 1.6.1 Rev 6

Storage Management Technical Specification, Part 3 Common Profiles, 1.6.1 Rev 6

ISO/IEC 14776-452, SCSI Primary Commands - 3 (SPC-3) [ANSI INCITS 408-2005]

2.3 Other references

DMTF DSP0214:2004 CIM Operations over HTTP

Normative References

3 Definitions, Symbols, Abbreviations, and Conventions

For the purposes of this document, the definitions, symbols, abbreviations, and conventions given in *Storage Management Technical Specification, Part 2 Common Architecture, 1.6.1 Rev 6* apply.

STABLE

4 Fabric Profile

4.1 Description

Figure 5 illustrates the basic elements of the Fabric Profile.

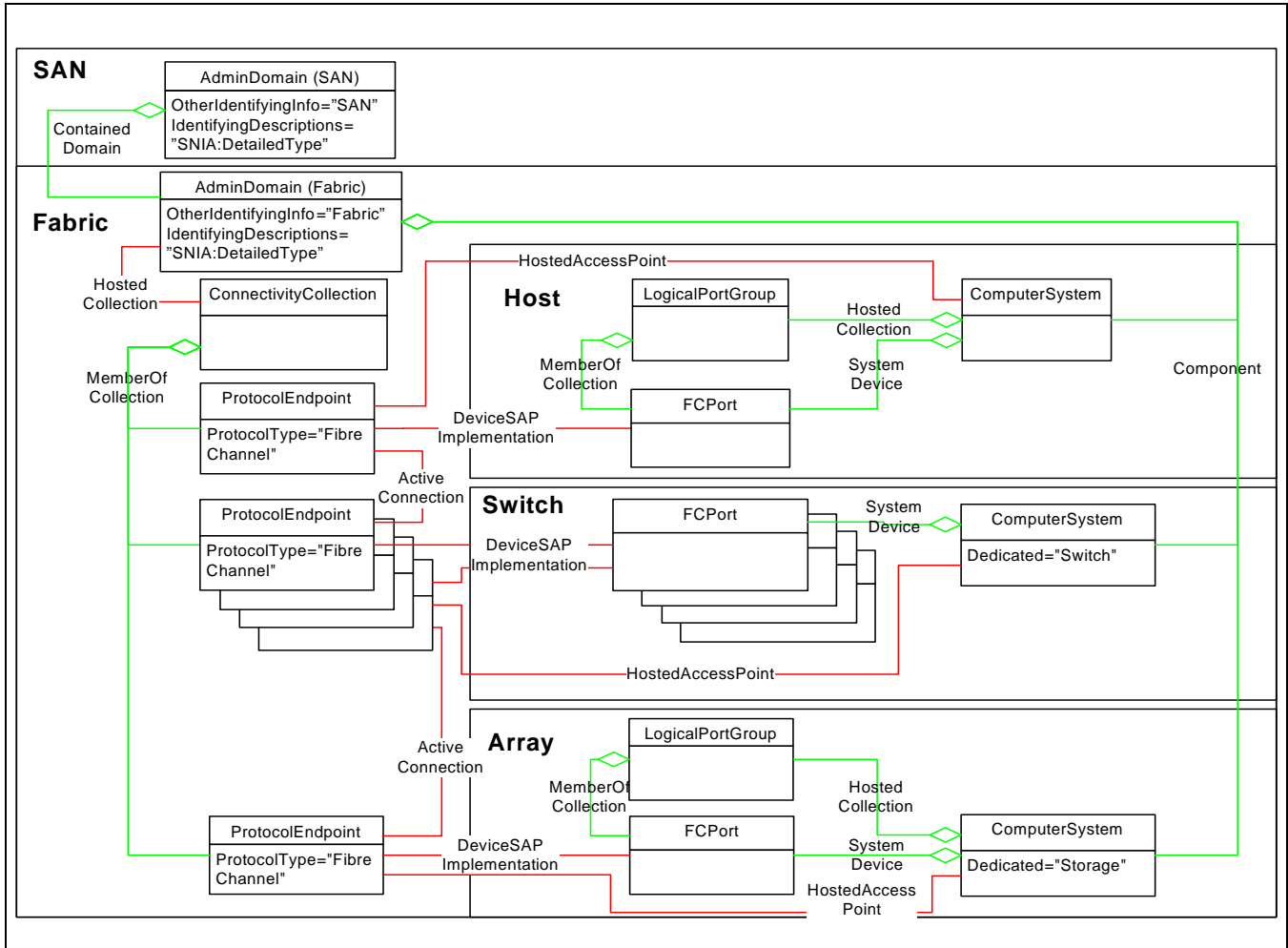


Figure 5 - Fabric Instance

4.1.1 SANS and Fabrics as AdminDomains

A SAN and Fabric are represented in CIM by AdminDomain. A SAN contains one or more Fabrics, which are modeled as AdminDomains. The “containment” of Fabrics to SANs is through the association ContainedDomain. AdminDomain is sub-classed from System. This is significant because a SAN and a Fabric can be considered a group of components that operate together as a single system and should be/are managed as such. The relationship of the Fabrics in a SAN is intended to be able to aggregate all the Fabrics that are in the same physical topology. The possible use cases include: Fibre Channel Virtual Fabrics which have multiple Virtual Fabrics in the same underlying physical topology, Fibre Channel Inter-Fabric Routing which routes Fibre Channel frames between Fabrics, and redundant Fabrics where two physically separate networks connect the same set of hosts and storage.

An AdminDomain in CIM is keyed by the property Name with an associated optional property NameFormat. The naming convention for SANs are left up to the implementation, but the Name shall be correlatable

(the same) when multiple agents are managing the same SAN for Virtual Fabric (VF) and Inter-Fabric Routing (IFR).

For Fibre Channel Fabrics, the identifier (AdminDomain.Name) is the Fabric WWN as reported by the fibre channel fabric services. The AdminDomain for the Fibre Channel Fabric shall have a NameFormat of WWN.

4.1.2 Fabrics and Topology

A Fabric in CIM minimally contains a ConnectivityCollection and its component systems. They are associated to the Fabric by the association Component. For the purposes of this discussion, it is assumed one models both.

ConnectivityCollection represents the foundation necessary for routing (and is the reason it is defined in the Network model). A ConnectivityCollection groups a set of ProtocolEndpoints that are able to communicate with each other directly. The ProtocolEndpoint is associated to the ConnectivityCollection by MemberOfCollection. A link is represented by the association ActiveConnection, which associates two ProtocolEndpoints, defined as a connection that is currently carrying traffic or is configured to carry traffic.

It is important at this point to clarify the relationship (or use) of the ProtocolEndpoint versus the use of FCPort (discussed later). A NetworkPort (from which FCPort is subclassed) is the device that is used to represent the logical aspects of the link and data layers. The ProtocolEndpoint is used to represent the higher network layers for routing. This is best understood when thinking about Ethernet and IP, but applies to fibre channel also. When two ProtocolEndpoints are capable of communicating, the association ActiveConnection is used to represent the capability to communicate and completes the picture of the topology.

One can ultimately represent multiple ConnectivityCollections (e.g., FC, IP (over FC), and IP (FC encapsulated in IP) for the same fibre channel fabric.

The minimum set of requirements for this profile is based on FC-GS.

4.1.3 Systems and NetworkPorts

As discussed in section 4.1.2, a Port is associated to a device to represent the link layer. A NetworkPort is associated to the ProtocolEndpoint by DeviceSAPImplementation and “joins” the System and Device model to the Network model. Instantiation of DeviceSAPImplementation, ProtocolEndpoint, and ActiveConnection is not necessary if the transceiver is not installed or the cable connecting the port to another port is not installed since the device is not capable of communicating.

Systems, or in this case ComputerSystem, represent the fabric elements that contain Ports. These are typically Hosts, Switches and Storage Systems. In Fibre Channel, these are called Platforms and Interconnect Elements. The property Dedicated in ComputerSystem allows these fabric elements to be identified. For a host, Dedicated is set to “Not Dedicated”, for a switch, Dedicated is set to “Switch”, and for a storage system, Dedicated is set to “Storage”. The Ports on a System are associated by SystemDevice.

Discovery from the viewpoint of the fabric includes the end device, but often times the information available is minimal or not available. In the case of Fibre Channel, this occurs if the platform database is not populated. If this is the case, then discovery cannot tell whether a Fibre Channel Node is contained within the same platform or not. When this occurs, ComputerSystem is not instantiated and the LogicalPortGroup representing the Node and the FCPort are associated to the AdminDomain representing the Fabric.

The instrumentation needs to respond to physical fabric changes by adding or removing Logical elements to the AdminDomain. Adding an element to the fabric is straightforward, however it is not always clear when an element has been removed. The device may have been reset, or temporarily shut down, in which

case it would be an element in the fabric with an “unknown” status. The lifetime of objects that can no longer be discovered is implementation specific.

If the instrumentation is unable to determine the type of platform discovered (defined in FC-GS), then the agent shall set the ComputerSystem.Dedicated property to “Unknown”.

Additional identification information about Switch ComputerSystem (e.g., DomainID) is placed in OtherIdentifyingInfo property.

EXPERIMENTAL

4.1.4 N Port Virtualization (NPIV)

Within a fabric, a host or an N Port Virtualizer can "virtualize" one or more fibre channel ports for each "physical" fibre channel port, known as NPIV. To model NPIV, Figure 6 is extended as shown in Figure a with multiple ActiveConnections to the same switch port. The association, HostedDependency, is used to associate the FCPorts representing the "physical" fibre channel port or hosting FCPort with the "virtual" fibre channel ports with the "virtual" port or dependent hosted FCPort.

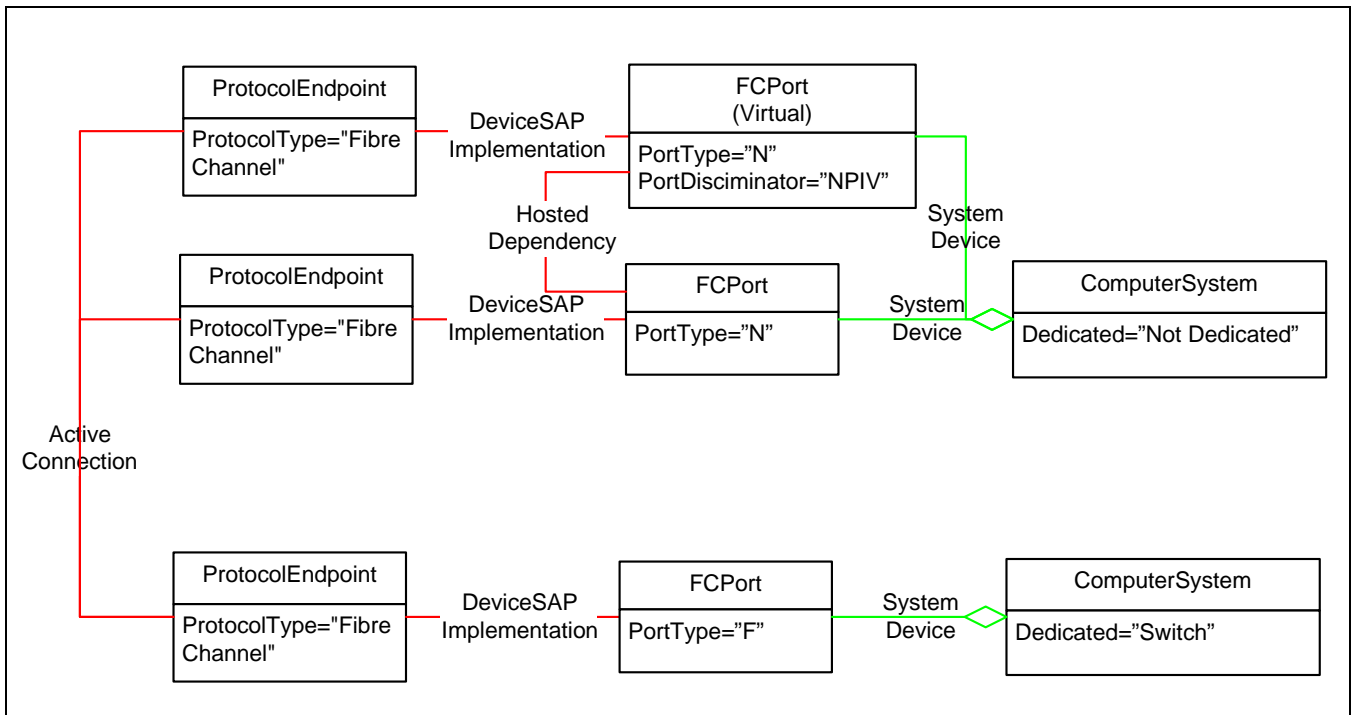


Figure 6 - NPIV Instance

EXPERIMENTAL

4.1.5 Zoning

Figure 7 illustrates the basic model for zoning

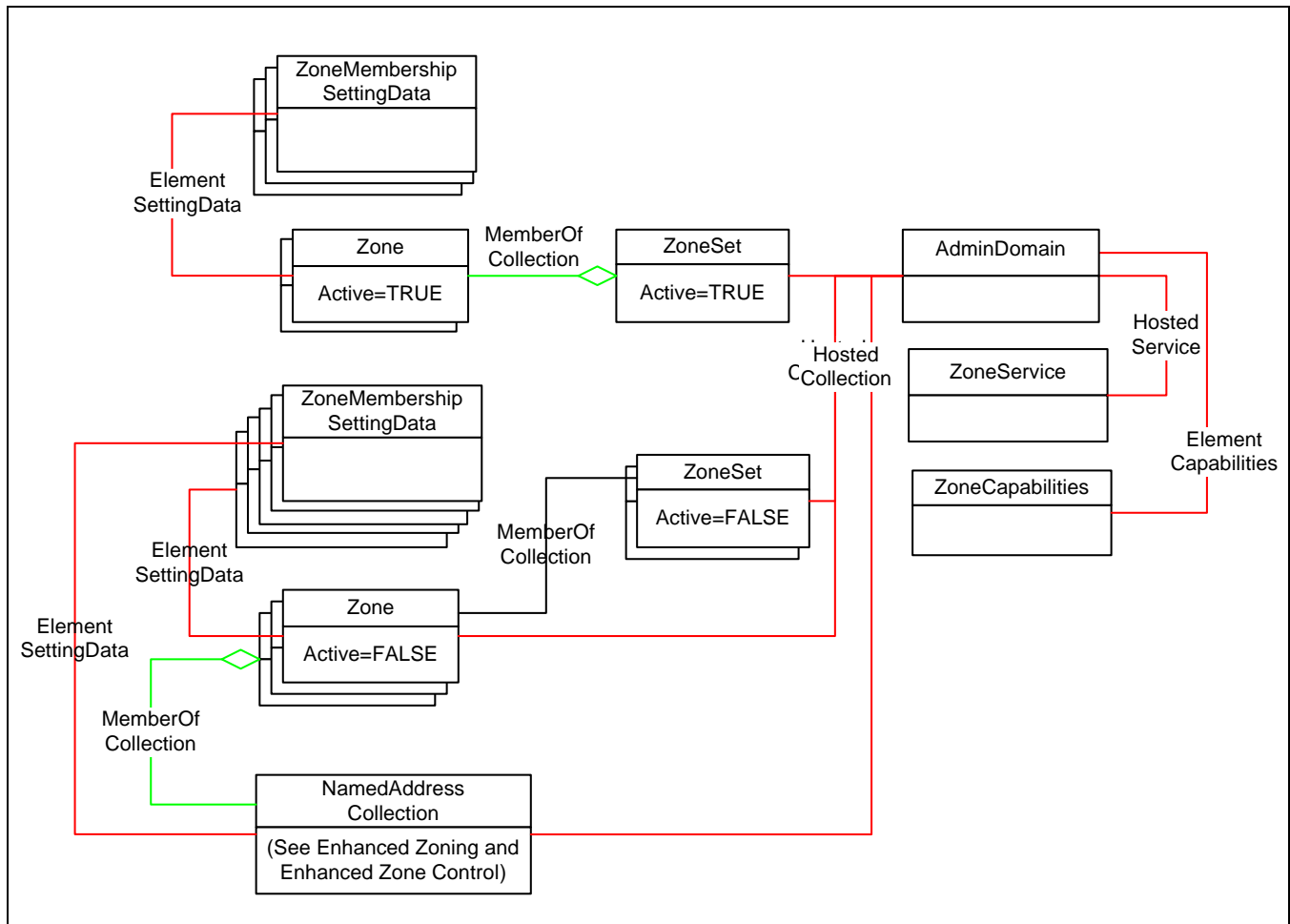


Figure 7 - Zoning Instance (AdminDomain)

The zoning model is based on FC-GS-4. This model represents the management model for defining Zone Sets, Zones, and Zone Members and “activation” of a Zone Set for a fabric. In the following discussion it may be helpful to also define the following:

- **Active ZoneSet**: the Zone Set currently enforced by the Fabric.
- **Zone Set Database**: The database of the Zone Sets not enforced by the Fabric. Referred to in this document as the Inactive Zone Sets.
- **Zoning Definitions**: a generic term used to indicate both the above concepts.

The zoning model refers to a Zone Set as ZoneSet, a Zone as Zone, ZoneAlias as a NamedAddressCollection, and Zone Member as ZoneMembershipSettingData. ZoneSets shall only contain Zones associated by MemberOfCollection. Zones shall only contain ZoneMembershipSettingData associated by ElementSettingData or NamedAddressCollections associated by MemberOfCollection. For more information with regards to NamedAddressCollection, see 5 Enhanced Zoning and Enhanced Zone Control Subprofile.

The class ZoneMembershipSettingData has two properties that indicate how the device was identified to be “zoned”. They are ConnectivityMemberType (e.g., PermanentAddress for WWN, NetworkAddress for FCID, etc.) and ConnectivityMemberID which contains the actual device identifier.

The Active Zone Set, defined by an instance of ZoneSet with the Active property set to TRUE, shall only be hosted on the AdminDomain representing the Fabric. The Inactive Zone Sets, defined by an instance of ZoneSet with the Active property set to FALSE, shall be hosted on either the AdminDomain representing the Fabric as shown in Figure 7 or the ComputerSystem representing the switch as shown in Figure 8. It is allowed to have no ZoneSets (active or inactive), only an active ZoneSet, only an inactive ZoneSet(s), or both an inactive ZoneSet(s) and an active ZoneSet.

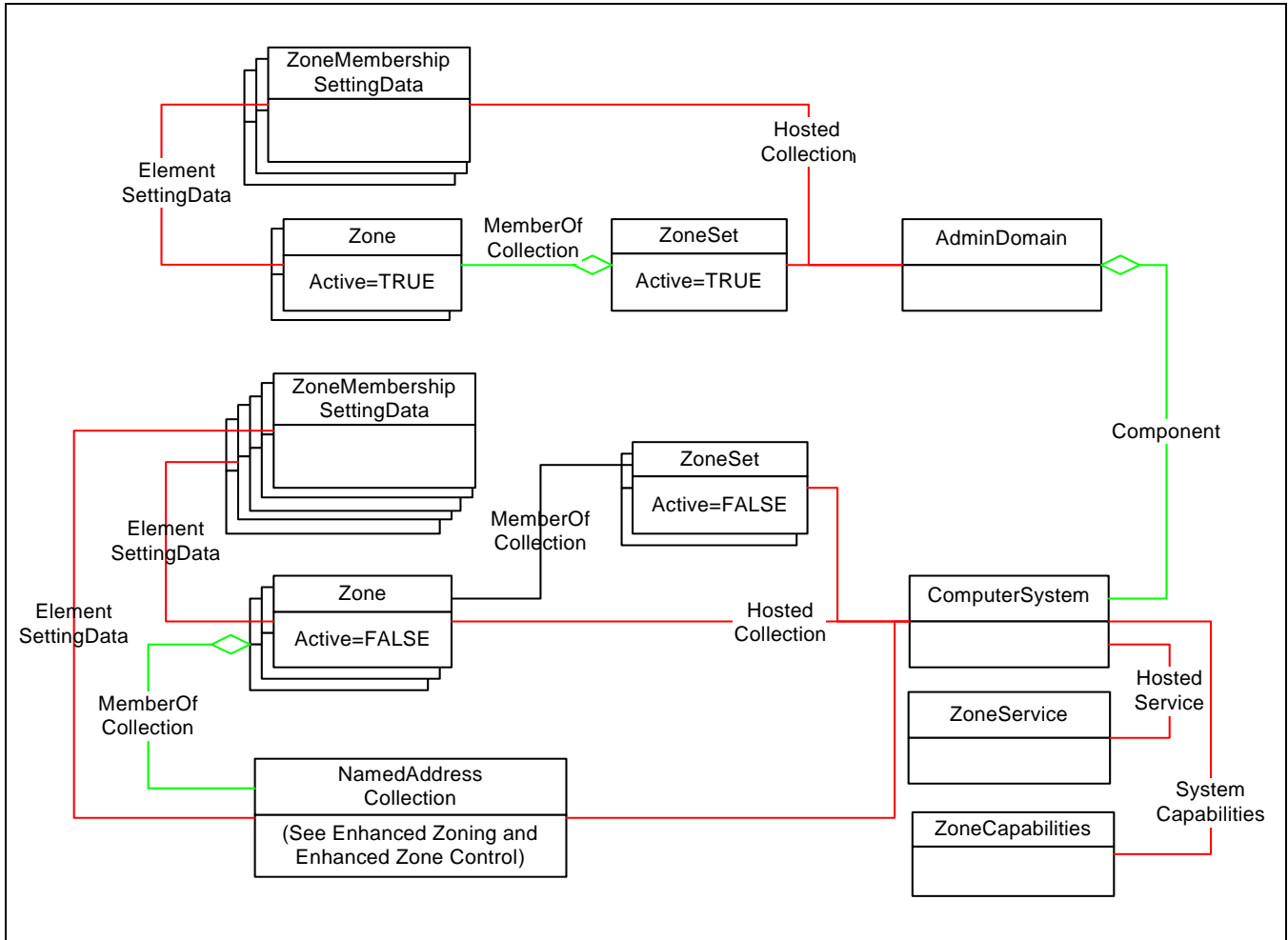


Figure 8 - Zoning Instance (ComputerSystem)

The ZoneService and ZoneCapabilities are also associated to the same System (AdminDomain or ComputerSystem) as the Inactive Zone Sets using the association HostedService or ElementCapabilities, respectively.

ZoneService provides the configuration methods to control create ZoneSets, Zones, Zone Aliases, and Zone Members, as well as activation of the Zone Set. This service and its methods are described in the 5 Enhanced Zoning and Enhanced Zone Control Subprofile.

EXPERIMENTAL

4.1.6 Conditional Classes and Properties

Table 4 contains some classes which are conditional on implementation of other profiles in the Fabric Book:

- CIM_ComputerSystem (Partitioned Switch) is conditional on the implementation of the Virtual Fabrics component profile
- CIM_FCPort (Partitioned Switch FCPort) is conditional on the implementation of the Switch Partitioning component profile

In addition, some of the mandatory classes of the Fabric Profile include properties that are conditional on the implementation of other profiles in the Fabric book.

- Some properties in CIM_ComputerSystem (Switch) are conditional on the implementation of the Switch Profile.
- Some properties in CIM_FCPort (Switch FCPort) are conditional on the implementation of the Switch Profile

EXPERIMENTAL

EXPERIMENTAL

4.1.7 Fabric Predefined Indications

If the Indications profile is supported by an implementation of the Fabric profile, it shall implement the SNIA_IndicationConfigurationService and its associated SNIA_IndicationConfigurationCapabilities. If the implementation supports predefined IndicationFilters or predefined IndicationFilterCollections this shall be indicated in the SupportedFeatures property of the SNIA_IndicationConfigurationCapabilities. If a value “3” is present, it means the implementation supports predefined IndicationFilters. If a value of “5” is present, it means the implementation supports predefined IndicationFilterCollections.

Figure 9 illustrates classes that shall be populated by the Fabric profile if both “3” and “5” are present in the SupportedFeatures property.

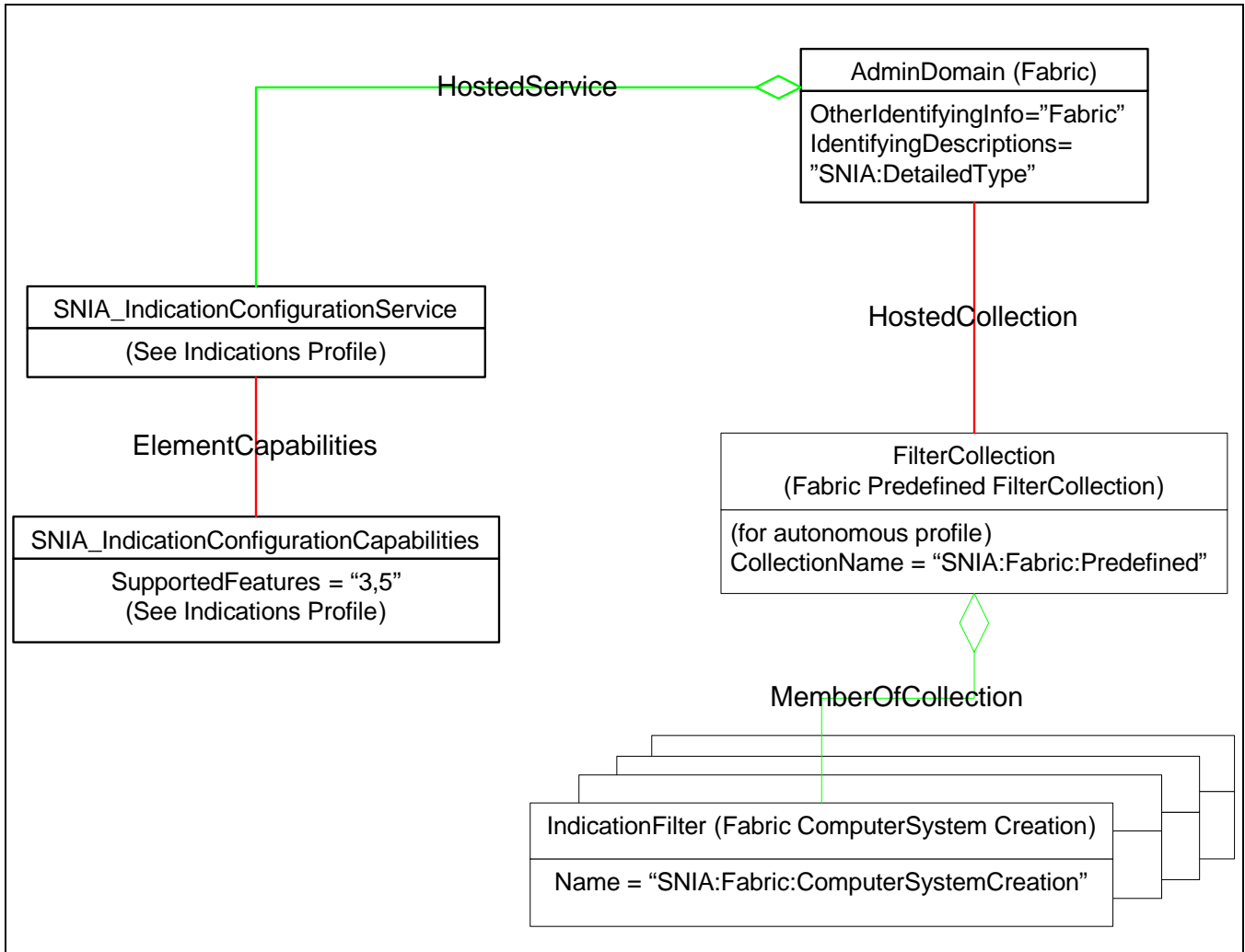


Figure 9 - Predefined Fabric IndicationFilters and Collection

The SNIA_IndicationConfigurationService is hosted on the fabric AdminDomain. The FilterCollection for fabric is also hosted on the fabric AdminDomain. The fabric FilterCollection has members which are all the predefined IndicationFilters supported by the implementation. This shall include all Mandatory IndicationFilters of the Fabric Profile. But it should also include any IndicationFilter that has been predefined by the implementation. This may include conditional, optional or vendor specific IndicationFilters supported by the implementation.

The fabric FilterCollection shall have the CollectionName "SNIA:Fabric:Predefined". Each of the predefined filters shall have the Name property as defined for the IndicationFilter. In Figure 9 the name of the IndicationFilter (Fabric ComputerSystem Creation) is "SNIA:Fabric:ComputerSystemCreation". For vendor specific IndicationFilters (not defined in this standard), the Name of the filter would be of the form ORG_ID:"PROFILE":UNIQUE_ID, where ORGID is the designation of the vendor that is providing the implementation.

EXPERIMENTAL

4.2 Health and Fault Management

The following classes report possible Health and Fault information through LifeCycle indications:

- ComputerSystem,
- FCPort

These LifeCycle indications are more fully described in Table 4, “CIM Elements for Fabric”.

Also in Table 4, “CIM Elements for Fabric” is a list of AlertIndications which may also be indicators for Health and Fault Management.

4.3 Cascading Considerations

None

4.4 Supported Subprofiles and Package

Table 1 describes the supported profiles for Fabric.

Table 1 - Supported Profiles for Fabric

Profile Name	Organization	Version	Requirement	Description
Zone Control	SNIA	1.4.0	Optional	
Enhanced Zoning and Enhanced Zoning Control	SNIA	1.4.0	Optional	
FabricVirtualFabrics	SNIA	1.5.0	Optional	Experimental.
N Port Virtualizer	SNIA	1.5.0	Optional	Experimental.
FDMI	SNIA	1.4.0	Optional	
Fabric Path Performance	SNIA	1.2.0	Optional	Experimental.
FabricSecurity	SNIA	1.2.0	Optional	Experimental.
Fabric Views	SNIA	1.6.0	Optional	Experimental.
Launch In Context	DMTF	1.0.0	Optional	Experimental. See DSP1102, version 1.0.0
Indication	SNIA	1.5.0	Support for at least one is mandatory.	Deprecated. See the SNIA Indications Profile
Indications	SNIA	1.6.0		Experimental.
Indications	DMTF	1.2.0		Experimental. See DSP1054, version 1.2.0

4.5 Methods of this Profile

Not defined in this version of the standard.

4.6 Client Considerations and Recipes

4.6.1 Fabric Identifier

The client needs to consider that the fabric identifier is not durable but is correlatable and may change over time. See *Storage Management Technical Specification, Part 2 Common Architecture, 1.6.1 Rev 6 7* Correlatable and Durable Names.

4.6.2 FCPort OperationalStatus

OperationalStatus is the property to indicate status and state for the FCPort (both Platform and Switch ports). The FCPort instance has one of the following Operational Statuses.

Table 2 - Port OperationalStatus

OperationalStatus	Description
OK	Port is online
Error	Port has a failure
Stopped	Port is disabled
InService	Port is in Self Test
Unknown	

4.6.3 Switch ComputerSystem OperationalStatus

OperationalStatus is the property to indicate status and state for switch ComputerSystems. The switch ComputerSystem instance has one of the following Operational Statuses and possibly one of the Subsidiary statuses.

Table 3 - OperationalStatus for ComputerSystem

Operational Status	Possible Subsidiary Operational Status	Description
OK		The system has a good status
OK	Stressed	The system is stressed, for example the temperature is over limit or there is too much IO in progress
OK	Predictive Failure	The system will probably will fail sometime soon
Degraded		The system is operational but not at 100% redundancy. A component has suffered a failure or something is running slow
Error		An error has occurred causing the system to stop. This error may be recoverable with operator intervention.
Error	Non-recoverable error	A severe error has occurred. Operator intervention is unlikely to fix it
Error	Supporting entity in error	A modeled element has failed
InService		Switch is in Self Test.
No contact		The provider knows about the array but has not talked to it since last reboot
Lost communication		The provider used to be able to communicate with the array, but has now lost contact.
Starting		The system is starting up
Stopping		The system is shutting down.
Stopped		The data path is OK but shut down, the management channel is still working.

4.6.4 Discover The Fabric Topology

```

// This recipe describes how to build a topology graph of a fabric.
//
// 1. Identifies all the Switches and adds their objects paths and the
// object paths of the FC Ports belonging to these Switches to the $nodes
// array
//
// 2. Creates a suitable Association instance (e.g. a SystemDevice
// Association instance between a Switch and a FC Port), setting its
// GroupComponent and PartComponent. Adds the object path of the
// Association to the $links array
//
// 3. Creates a map of all connected FC Ports (i.e., belonging to Switches
// that are ISL'd together and to Host HBAs and Storage System Front End
// Controllers)
//
// In this map, the FC Ports (i.e., the ones that are connected) are
// cross-connected.
//
// e.g., For a pair of FC Ports, one belonging to a Switch and the other
// belonging to a Host (HBA), the map indexed by the Switch Port WWN returns
// the Host (HBA) FC Port object path and the map indexed by the Host (HBA)
// FC Port WWN returns the Switch FC Port object path.
//
// Similar relationship exists between the pairs of FC Ports where one
// belongs to a Switch and the other belonging belongs to a Storage System
// Front End Controller and for FC Ports each of which belongs to a Switch.
//
// 4. Identifies all the Hosts and adds their objects paths to the $nodes
// array. Note that the object paths of the FC Ports (HBA Ports) belonging
// to these Hosts are already added to the $nodes array in step-3.
//
// 5. Creates a suitable Association instance (e.g. a SystemDevice
// Association instance between a Host and a FC Port), setting its
// GroupComponent and PartComponent. Adds the object path of the Association
// to the $links array.
//
// 6. Identifies all the Storage Systems and adds their objects paths to the
// $nodes array.
// Note that the object paths of the FC Ports (i.e., Front End Controller
// FC Ports) belonging to these Storage Systems are already added to the
// $nodes array in step-3.
//
// 7. Creates a suitable Association instance (e.g. a SystemDevice
// Association instance between a Storage System and a FC Port), setting
// its GroupComponent and PartComponent. Adds the object path of the
// Association to the $links array.

```

Fabric Profile

```
// DESCRIPTION
// Create a map of how elements in a SAN are connected together via
// Fibre-ChannelFC ports.
//
// The map is built in array $attachedFcPorts->[], where the index is a
// WWN of any device port on the SAN, and the value at that index is
// the object path of the connected Switch or HBA or Storage System FC port.
//
// First find all the switches in a SAN. Get all the FC Ports for each
// switch and get the Attached FC Ports for each Switch FC Port. Save these
// device FC ports in the map described above.

// PREEXISTING CONDITIONS AND ASSUMPTIONS
// 1. All agents/namespaces supporting Fabric Profile previously identified
// using SLP. Do this for each CIMOM supporting Fabric Profile

switches[] = enumerateInstances("CIM_ComputerSystem", true, false, true, true,
                               null)
for #i in $switches[]
{
    if (!contains(5, $switches[#i].Dedicated))
        continue

    // only process switches, not other computer systems

    // Add the switch to the $nodes array

    $nodes.addIfNotAlreadyAdded ($switches[#i].getObjectPath());

    // Get all the SystemDevice associations between this switch and its
    // FC Ports

    $sysDevAssoc[] = ReferenceNames($switches[#i],
                                    "CIM_FCPort",
                                    "GroupComponent");

    // Add these associations to the $links array

    for #a in $sysDevAssoc->[]
    $links.addIfNotAlreadyAdded ($sysDevAssoc->[#a]);

    $fcPorts->[] = AssociatorNames(
        $switches[#i].getObjectPath(),
        "CIM_SystemDevice",
        "CIM_FCPort",
        "GroupComponent",
        "PartComponent")
}
```

Fabric Profile

```
for #j in $fcPorts->[]
{
    // Add the FC Port in $nodes array

    $nodes.addIfNotAlreadyAdded (fcPorts->[#j];

    $protocolEndpoints->[] = AssociatorNames(
        fcPorts->[#j],
        "CIM_DeviceSAPIImplementation",
        "CIM_ProtocolEndpoint",
        "Antecedent",
        "Dependent");

    // NOTE - It is possible for this collection to be empty (i.e., ports
    // that are not connected). It is possible for this collection to
    // have more than one element (loops attached to a switch port is the
    // most common example).

    if ($protocolEndpoints->[].length == 0)
        continue

    // Add the Protocol End Point to the nodes array.
    // Currently this recipe is designed to only save one
    // ProtocolEndpoint.

    $nodes.addIfNotAlreadyAdded (protocolEndpoints[0]);

    // Add the associations between the fcPort and the Protocol end point
    // to the links array

    $devSAPImplassoc[] = ReferenceNames($fcPorts->[#j],
        "CIM_ProtocolEndpoint",
        null);
    for #a in $devSAPImplassoc->[]
        $links.addIfNotAlreadyAdded ($devSAPImplassoc->[#a];

    $attachedProtocolEndpoints->[] = AssociatorNames(
        $protocolEndpoints->[0],
        "CIM_ActiveConnection",
        "CIM_ProtocolEndpoint",
        null, null)

    // Add the Attached Protocol End Point to the nodes array

    $nodes.addIfNotAlreadyAdded (attachedProtocolEndpoints->[0]);
```

Fabric Profile

```
// Add the associations between the Protocol end point and the
// Attached protocol endpoint to the links array

$actConnassoc[] = ReferenceNames($protocolEndpoint->[#0],
                                "CIM_ActiveConnection",
                                null);
for #a in $actConnassoc->[]
    $links.addIfNotAlreadyAdded ($actConnassoc->[#a];

// NOTE: role & resultRole are null as the direction of the
// association is not dictated by the specification

// $attachedFcPort is either a device FC port or an ISL'd switch FC
// port from another switch. We store this result is stored (i.e.
// which device FC Port is connected // to which switch FC Port) in
// a suitable data structure for subsequent correlation to ports
// discovered on devices.

for #k in $attachedProtocolEndpoints->[]
{
    $attachedFcPorts->[] = Associators(
        $attachedProtocolEndpoints->[#k],
        "CIM_DeviceSAPImplementation",
        "CIM_FCPort",
        "Dependent",
        "Antecedent",
        false,
        false,
        ["PermanentAddress"])
    $attachedFcPort = $attachedFcPorts[0] // Exactly one member guaranteed
        by model

    // Add the attached FC Port to the $nodes array
    if $attachedFcPort != null
        $nodes.addIfNotAlreadyAdded ($attachedFcPort);
}
}

Determine the active Zone Set in a SAN
// DESCRIPTION
// Traverse from the fabric to all zone sets, looking for
// the active zone set
//
// PREEXISTING CONDITIONS AND ASSUMPTIONS
//
// 1. The fabric of interest (an AdminDomain) has been previously
// identified and defined in the $Fabric-> variable
```

Fabric Profile

```

$ZoneSets[] = Associators($Fabric->, "CIM_HostedCollection", "CIM_ZoneSet", null,
                        null, false, false, null)

for #i in $ZoneSets[] {
    if ($ZoneSet[#i].Active) {
        // <found active ZoneSet>
        // NOTE - there can be only one active ZoneSet in a fabric, though there
                may be none
        break
    }
}

```

4.7 Registered Name and Version

Fabric version 1.6.0 (Autonomous Profile)

CIM Schema Version: 2.29

4.8 CIM Elements

Table 4 describes the CIM elements for Fabric.

Table 4 - CIM Elements for Fabric

Element Name	Requirement	Description
4.8.1 CIM_ActiveConnection	Mandatory	The association between ProtocolEndpoints representing the links between devices.
4.8.2 CIM_AdminDomain (Fabric)	Mandatory	AdminDomain representing the Fabric. Associated to RegisteredProfile.
4.8.3 CIM_AdminDomain (SAN)	Mandatory	AdminDomain representing the SAN.
4.8.4 CIM_Component (Platform to Fabric)	Optional	Aggregates Hosts and Arrays (Platforms) in the AdminDomain that represents the Fabric.
4.8.5 CIM_Component (Switch to Fabric)	Mandatory	Aggregates Switches in the AdminDomain that represents the Fabric.
4.8.6 CIM_ComputerSystem (Host Platform)	Mandatory	The ComputerSystem representing the Host Platform.
4.8.7 CIM_ComputerSystem (Partitioned Switch)	Conditional	Conditional requirement: Required if the Virtual Fabrics profile is implemented. The ComputerSystem representing a Partitioned Switch.
4.8.8 CIM_ComputerSystem (Storage Platform)	Mandatory	The ComputerSystem representing the Storage Platform (e.g.an Array).
4.8.9 CIM_ComputerSystem (Switch)	Mandatory	The ComputerSystem representing the Switch.
4.8.10 CIM_ConnectivityCollection	Mandatory	Collects the ProtocolEndpoints of the fabric.
4.8.11 CIM_ContainedDomain	Mandatory	Associates a Fabric to a SAN.
4.8.12 CIM_DeviceSAPImplementation (Non-Switch to FCPort)	Mandatory	Associates the Non-Switch (Host or Storage) FCPort to the ProtocolEndpoint.
4.8.13 CIM_DeviceSAPImplementation (Switch to FCPort)	Mandatory	Associates the Switch FCPort to the ProtocolEndpoint.

Table 4 - CIM Elements for Fabric

Element Name	Requirement	Description
4.8.14 CIM_ElementCapabilities (ZoneCapabilities to Fabric.)	Mandatory	Associates ZoneCapabilities to a Fabric.
4.8.15 CIM_ElementCapabilities (ZoneCapabilities to Switch.)	Mandatory	Associates ZoneCapabilities to a switch system.
4.8.16 CIM_ElementSettingData (ZoneMembershipSettingData to Zone)	Mandatory	Associates ZoneMembershipSettingData to the Zone.
4.8.17 CIM_FCActiveConnection	Optional	Experimental. The association between ProtocolEndpoints representing the links between fibre channel devices (including ISLs).
4.8.18 CIM_FCPort (Host FCPort)	Mandatory	Fibre Channel Port for Host Platforms.
4.8.19 CIM_FCPort (Host NPIV FCPort)	Optional	Experimental. A Host NPIV Fibre Channel Port for Host Platforms.
4.8.20 CIM_FCPort (Partitioned Switch FCPort)	Conditional	Conditional requirement: Support for the Switch Partitioning profile. Fibre Channel Port for Partitioned Switch.
4.8.21 CIM_FCPort (Storage FCPort)	Mandatory	Fibre Channel Port for Devices (Storage Platforms).
4.8.22 CIM_FCPort (Switch FCPort)	Mandatory	Fibre Channel Port for Switch.
4.8.23 CIM_FilterCollection (Fabric Predefined FilterCollection)	Conditional	Experimental. Conditional requirement: Required if the Experimental Indication Profile is supported and the SNIA_IndicationConfigurationCapabilities.SupportedFeatures='5' (Predefined Filter Collections). This is a collection of predefined IndicationFilters to which a client may subscribe.
4.8.24 CIM_FilterCollection (Fabric ProfileSpecificAlertIndicationFilterCollection)	Optional	Experimental. This is a collection of Lifecycle IndicationFilters defined by the Fabric Profile.
4.8.25 CIM_FilterCollection (Fabric ProfileSpecificLifecycleIndicationFilterCollection)	Optional	Experimental. This is a collection of Lifecycle IndicationFilters defined by the Fabric Profile.
4.8.26 CIM_HostedAccessPoint (AdminDomain to ProtocolEndpoint)	Optional	Associates the ProtocolEndpoint to a Fabric AdminDomain.
4.8.27 CIM_HostedAccessPoint (ComputerSystem to ProtocolEndpoint)	Mandatory	Associates the ProtocolEndpoint to the hosting ComputerSystem.
4.8.28 CIM_HostedCollection (AdminDomain to Fabric ProfileSpecificAlertIndicationFilterCollection)	Optional	Experimental.
4.8.29 CIM_HostedCollection (AdminDomain to Fabric ProfileSpecificLifecycleIndicationFilterCollection)	Optional	Experimental.
4.8.30 CIM_HostedCollection (Fabric to ConnectivityCollection)	Mandatory	Associates the ConnectivityCollection to the AdminDomain representing the Fabric.
4.8.31 CIM_HostedCollection (Fabric to predefined FilterCollection)	Conditional	Experimental. Conditional requirement: Required if the Experimental Indication Profile is supported and the SNIA_IndicationConfigurationCapabilities.SupportedFeatures='5' (Predefined Filter Collections).
4.8.32 CIM_HostedCollection (System to LogicalPortGroup)	Mandatory	Associates the LogicalPortGroup to the ComputerSystem representing the platform (host or array) or the Fabric (if platforms are not implemented).
4.8.33 CIM_HostedCollection (Zones or ZoneSets to Fabric)	Mandatory	Associates the ZoneSets and Zones to the AdminDomain representing the Fabric.

Table 4 - CIM Elements for Fabric

Element Name	Requirement	Description
4.8.34 CIM_HostedCollection (Zones or ZoneSets to Switch)	Mandatory	Associates the ZoneSets and Zones to the hosting System (the ComputerSystem representing the switch).
4.8.35 CIM_HostedDependency	Optional	Experimental. The association representing the relationship of the FCPort that hosts the FCPorts that are virtualized.
4.8.36 CIM_IndicationFilter (Fabric ComputerSystem Creation)	Conditional	Experimental. Conditional requirement: Required if the Experimental Indication Profile is supported and the SNIA_IndicationConfigurationCapabilities.SupportedFeatures='3' (Predefined Filters). This is the 'pre-defined' CIM_IndicationFilter instance for the addition of a new computer system instance in the Fabric (Switch or Platform instances).
4.8.37 CIM_IndicationFilter (Fabric ComputerSystem Deletion)	Conditional	Experimental. Conditional requirement: Required if the Experimental Indication Profile is supported and the SNIA_IndicationConfigurationCapabilities.SupportedFeatures='3' (Predefined Filters). This is the 'pre-defined' CIM_IndicationFilter instance for the removal of a fabric computer system instance.
4.8.38 CIM_IndicationFilter (Fabric ComputerSystem OperationalStatus)	Conditional	Experimental. Conditional requirement: Required if the Experimental Indication Profile is supported and the SNIA_IndicationConfigurationCapabilities.SupportedFeatures='3' (Predefined Filters). This is the 'pre-defined' CIM_IndicationFilter instance for the modification of OperationalStatus of a computer system instance (switch or platform) in the Fabric.
4.8.39 CIM_IndicationFilter (Fabric FCPort Creation)	Conditional	Experimental. Conditional requirement: Required if the Experimental Indication Profile is supported and the SNIA_IndicationConfigurationCapabilities.SupportedFeatures='3' (Predefined Filters). This is the 'pre-defined' CIM_IndicationFilter instance for the addition of a new FCPort instance in the Fabric.
4.8.40 CIM_IndicationFilter (Fabric FCPort Deletion)	Conditional	Experimental. Conditional requirement: Required if the Experimental Indication Profile is supported and the SNIA_IndicationConfigurationCapabilities.SupportedFeatures='3' (Predefined Filters). This is the 'pre-defined' CIM_IndicationFilter instance for the removal of a fabric FCPort instance.
4.8.41 CIM_IndicationFilter (Fabric FCPort OperationalStatus)	Conditional	Experimental. Conditional requirement: Required if the Experimental Indication Profile is supported and the SNIA_IndicationConfigurationCapabilities.SupportedFeatures='3' (Predefined Filters). This is the 'pre-defined' CIM_IndicationFilter instance for the modification of OperationalStatus of an FCPort instance in the Fabric.
4.8.42 CIM_IndicationFilter (Fabric Fabric Added or Removed)	Conditional	Experimental. Conditional requirement: Required if the Experimental Indication Profile is supported and the SNIA_IndicationConfigurationCapabilities.SupportedFeatures='3' (Predefined Filters). This is the 'pre-defined' CIM_IndicationFilter instance for the addition or removal of a fabric.
4.8.43 CIM_IndicationFilter (Fabric Fabric Merge or Segmentation)	Conditional	Experimental. Conditional requirement: Required if the Experimental Indication Profile is supported and the SNIA_IndicationConfigurationCapabilities.SupportedFeatures='3' (Predefined Filters). This is the 'pre-defined' CIM_IndicationFilter instance for the merge of fabrics or segmentation of a fabric.

Table 4 - CIM Elements for Fabric

Element Name	Requirement	Description
4.8.44 CIM_IndicationFilter (Fabric Switch Added or Removed)	Conditional	Experimental. Conditional requirement: Required if the Experimental Indication Profile is supported and the SNIA_IndicationConfigurationCapabilities.SupportedFeatures='3' (Predefined Filters). This is the 'pre-defined' CIM_IndicationFilter instance for the addition or removal of a switch to a fabric.
4.8.45 CIM_IndicationFilter (Fabric Switch Status Changed)	Conditional	Experimental. Conditional requirement: Required if the Experimental Indication Profile is supported and the SNIA_IndicationConfigurationCapabilities.SupportedFeatures='3' (Predefined Filters). This is the 'pre-defined' CIM_IndicationFilter instance for the change of OperationalStatus of a switch in a fabric.
4.8.46 CIM_IndicationFilter (Fabric Zone Database Changed)	Conditional	Experimental. Conditional requirement: Required if the Experimental Indication Profile is supported and the SNIA_IndicationConfigurationCapabilities.SupportedFeatures='3' (Predefined Filters). This is the 'pre-defined' CIM_IndicationFilter instance for zone database changes in a fabric.
4.8.47 CIM_IndicationFilter (Fabric ZoneSet Activated)	Conditional	Experimental. Conditional requirement: Required if the Experimental Indication Profile is supported and the SNIA_IndicationConfigurationCapabilities.SupportedFeatures='3' (Predefined Filters). This is the 'pre-defined' CIM_IndicationFilter instance for activation of a ZoneSet in a fabric.
4.8.48 CIM_IndicationFilter (WQL Fabric ComputerSystem OperationalStatus)	Conditional	Deprecated. Conditional requirement: Required if the Experimental Indication Profile is supported and the SNIA_IndicationConfigurationCapabilities.SupportedFeatures='3' (Predefined Filters). This is the WQL 'pre-defined' CIM_IndicationFilter instance for OperationalStatus changes of a fabric (Switch or Platform) ComputerSystem instance.
4.8.49 CIM_IndicationFilter (WQL Fabric FCPort OperationalStatus)	Conditional	Deprecated. Conditional requirement: Required if the Experimental Indication Profile is supported and the SNIA_IndicationConfigurationCapabilities.SupportedFeatures='3' (Predefined Filters). This is the WQL 'pre-defined' CIM_IndicationFilter instance for OperationalStatus changes of a fabric FCPort instance.
4.8.50 CIM_LogicalPortGroup	Mandatory	Fibre Channel Node.
4.8.51 CIM_MemberOfCollection (ConnectivityCollection to ProtocolEndpoint)	Mandatory	Associates ConnectivityCollection to ProtocolEndpoint.
4.8.52 CIM_MemberOfCollection (Fabric ProfileSpecificAlertIndicationFilterCollection to Fabric Filters)	Optional	Experimental. This associates the Fabric ProfileSpecificAlertIndicationFilterCollection to the Filters defined by the Fabric Profile.
4.8.53 CIM_MemberOfCollection (Fabric ProfileSpecificLifecycleIndicationFilterCollection to Fabric Filters)	Optional	Experimental. This associates the Fabric ProfileSpecificLifecycleIndicationFilterCollection to the Filters defined by the Fabric Profile.
4.8.54 CIM_MemberOfCollection (LogicalPortGroup to FCPort)	Mandatory	Associates a LogicalPortGroup to its platform FC Ports.

Table 4 - CIM Elements for Fabric

Element Name	Requirement	Description
4.8.55 CIM_MemberOfCollection (Predefined Filter Collection to Fabric Filters)	Conditional	Experimental. Conditional requirement: Required if the Experimental Indication Profile is supported and the SNIA_IndicationConfigurationCapabilities.SupportedFeatures='5' (Predefined Filter Collections). This associates the Fabric predefined FilterCollection to the predefined Filters supported by the Fabric.
4.8.56 CIM_MemberOfCollection (ZoneSet to Zone)	Mandatory	Associates a ZoneSet to its Zones.
4.8.57 CIM_ProtocolEndpoint	Mandatory	The endpoint of a link (ActiveConnection).
4.8.58 CIM_SystemDevice (Non-Switch FCPort to Fabric)	Optional	Associates non-Switch FCPorts to the System (Fabric).
4.8.59 CIM_SystemDevice (Non-Switch FCPort to Platform)	Optional	Associates non-Switch FCPorts to the ComputerSystem (Platform).
4.8.60 CIM_SystemDevice (Switch FCPort to Switch)	Mandatory	Associates Switch FCPorts to the ComputerSystem (Switch).
4.8.61 CIM_Zone (Active)	Mandatory	The active Zones being enforced by the Fabric.
4.8.62 CIM_Zone (Inactive)	Mandatory	The inactive Zones being enforced by the Fabric.
4.8.63 CIM_ZoneCapabilities	Mandatory	The Zoning Capabilities of the associated Fabric (or Switch).
4.8.64 CIM_ZoneMembershipSettingData	Mandatory	Defines the zone member.
4.8.65 CIM_ZoneSet (Active)	Mandatory	The active ZoneSets being enforced by the Fabric.
4.8.66 CIM_ZoneSet (Inactive)	Mandatory	The inactive ZoneSet.
SELECT * FROM CIM_InstCreation WHERE SourceInstance ISA CIM_ComputerSystem	Mandatory	Creation of a ComputerSystem instance. See section <i>Storage Management Technical Specification, Part 6 Fabric, 1.6.1 Rev 6 4.8.36 CIM_IndicationFilter (Fabric ComputerSystem Creation)</i> .
SELECT * FROM CIM_InstDeletion WHERE SourceInstance ISA CIM_ComputerSystem	Mandatory	Deletion of a ComputerSystem instance. See section <i>Storage Management Technical Specification, Part 6 Fabric, 1.6.1 Rev 6 4.8.37 CIM_IndicationFilter (Fabric ComputerSystem Deletion)</i> .
SELECT * FROM CIM_InstCreation WHERE SourceInstance ISA CIM_FCPort	Mandatory	Creation of a FC Port instance. See section <i>Storage Management Technical Specification, Part 6 Fabric, 1.6.1 Rev 6 4.8.39 CIM_IndicationFilter (Fabric FCPort Creation)</i> .
SELECT * FROM CIM_InstDeletion WHERE SourceInstance ISA CIM_FCPort	Mandatory	Deletion of a FC Port instance. See section <i>Storage Management Technical Specification, Part 6 Fabric, 1.6.1 Rev 6 4.8.40 CIM_IndicationFilter (Fabric FCPort Deletion)</i> .
SELECT * FROM CIM_InstModification WHERE SourceInstance ISA CIM_FCPort AND SourceInstance.OperationalStatus <> PreviousInstance.OperationalStatus	Mandatory	Deprecated WQL -Modification of OperationalStatus of a FC Port instance. See section <i>Storage Management Technical Specification, Part 6 Fabric, 1.6.1 Rev 6 4.8.49 CIM_IndicationFilter (WQL Fabric FCPort OperationalStatus)</i> .
SELECT * FROM CIM_InstModification WHERE SourceInstance ISA CIM_FCPort AND SourceInstance.CIM_FCPort::OperationalStatus <> PreviousInstance.CIM_FCPort::OperationalStatus	Mandatory	CQL -Modification of OperationalStatus of a FC Port instance. See section <i>Storage Management Technical Specification, Part 6 Fabric, 1.6.1 Rev 6 4.8.41 CIM_IndicationFilter (Fabric FCPort OperationalStatus)</i> .

Table 4 - CIM Elements for Fabric

Element Name	Requirement	Description
SELECT * FROM CIM_InstModification WHERE SourceInstance ISA CIM_ComputerSystem AND SourceInstance.OperationalStatus <> PreviousInstance.OperationalStatus	Mandatory	Deprecated WQL -Modification of OperationalStatus of a ComputerSystem instance. See section <i>Storage Management Technical Specification, Part 6 Fabric, 1.6.1 Rev 6 4.8.48</i> CIM_IndicationFilter (WQL Fabric ComputerSystem OperationalStatus).
SELECT * FROM CIM_InstModification WHERE SourceInstance ISA CIM_ComputerSystem AND SourceInstance.CIM_ComputerSystem::OperationalStatus <> PreviousInstance.CIM_ComputerSystem::OperationalStatus	Mandatory	CQL -Modification of OperationalStatus of a ComputerSystem instance. See section <i>Storage Management Technical Specification, Part 6 Fabric, 1.6.1 Rev 6 4.8.38</i> CIM_IndicationFilter (Fabric ComputerSystem OperationalStatus).
SELECT * FROM CIM_AlertIndication WHERE OwningEntity='SNIA' and MessageID='FC1'	Mandatory	CQL -Modification of Zone Database. See <i>Storage Management Technical Specification, Part 2 Common Architecture, 1.6.1 Rev 6 8.4.3.1</i> Message: Zone Database Changed See also section <i>Storage Management Technical Specification, Part 6 Fabric, 1.6.1 Rev 6 4.8.46</i> CIM_IndicationFilter (Fabric Zone Database Changed).
SELECT * FROM CIM_AlertIndication WHERE OwningEntity='SNIA' and MessageID='FC1'	Mandatory	Deprecated. Deprecated WQL -Modification of Zone Database. See <i>Storage Management Technical Specification, Part 2 Common Architecture, 1.6.1 Rev 6 8.4.3.1</i> Message: Zone Database Changed.
SELECT * FROM CIM_AlertIndication WHERE OwningEntity='SNIA' and MessageID='FC2'	Mandatory	CQL -ZoneSet Activated. See <i>Storage Management Technical Specification, Part 2 Common Architecture, 1.6.1 Rev 6 8.4.3.2</i> Message: ZoneSet Activated See also section <i>Storage Management Technical Specification, Part 6 Fabric, 1.6.1 Rev 6 4.8.47</i> CIM_IndicationFilter (Fabric ZoneSet Activated).
SELECT * FROM CIM_AlertIndication WHERE OwningEntity='SNIA' and MessageID='FC2'	Mandatory	Deprecated. Deprecated WQL -ZoneSet Activated. See <i>Storage Management Technical Specification, Part 2 Common Architecture, 1.6.1 Rev 6 8.4.3.2</i> Message: ZoneSet Activated.
SELECT * FROM CIM_AlertIndication WHERE OwningEntity='SNIA' and MessageID='FC5'	Mandatory	Experimental. Switch Status Changed. See <i>Storage Management Technical Specification, Part 2 Common Architecture, 1.6.1 Rev 6 8.4.3.5</i> Message: Switch Status Changed See also section <i>Storage Management Technical Specification, Part 6 Fabric, 1.6.1 Rev 6 4.8.45</i> CIM_IndicationFilter (Fabric Switch Status Changed).
SELECT * FROM CIM_AlertIndication WHERE OwningEntity='SNIA' and MessageID='FC6'	Mandatory	Experimental. Fabric Merge/Segmentation. See <i>Storage Management Technical Specification, Part 2 Common Architecture, 1.6.1 Rev 6 8.4.3.6</i> Message: Fabric Merge/Segmentation See also section <i>Storage Management Technical Specification, Part 6 Fabric, 1.6.1 Rev 6 4.8.43</i> CIM_IndicationFilter (Fabric Fabric Merge or Segmentation).

Table 4 - CIM Elements for Fabric

Element Name	Requirement	Description
SELECT * FROM CIM_AlertIndication WHERE OwningEntity='SNIA' and MessageID='FC7'	Mandatory	Experimental. Switch Added/Removed. See <i>Storage Management Technical Specification, Part 2 Common Architecture, 1.6.1 Rev 6 8.4.3.7</i> Message: Switch Added/Removed See also section <i>Storage Management Technical Specification, Part 6 Fabric, 1.6.1 Rev 6 4.8.44</i> CIM_IndicationFilter (Fabric Switch Added or Removed).
SELECT * FROM CIM_AlertIndication WHERE OwningEntity='SNIA' and MessageID='FC8'	Mandatory	Experimental. Fabric Added/Removed. See <i>Storage Management Technical Specification, Part 2 Common Architecture, 1.6.1 Rev 6 8.4.3.8</i> Message: Fabric Added/Removed See also section <i>Storage Management Technical Specification, Part 6 Fabric, 1.6.1 Rev 6 4.8.42</i> CIM_IndicationFilter (Fabric Fabric Added or Removed).

4.8.1 CIM_ActiveConnection

The association between ProtocolEndpoints representing the links between devices (including ISLs). For loops, multiple ActiveConnections are instantiated as one to many relationships.

Created By: Static

Modified By: Static

Deleted By: Static

Requirement: Mandatory

Table 5 describes class CIM_ActiveConnection.

Table 5 - SMI Referenced Properties/Methods for CIM_ActiveConnection

Properties	Flags	Requirement	Description & Notes
Antecedent		Mandatory	The reference to the ProtocolEndpoint for one end of the link.
Dependent		Mandatory	The reference to the ProtocolEndpoint for the other end of the link.

4.8.2 CIM_AdminDomain (Fabric)

AdminDomain representing the fabric. This is a logical entity and can represent virtual fabrics.

Note that if the Virtual Fabrics Profile is implemented, OtherIdentifyInfo shall contain a Virtual Fabric ID with a 'SNIA:VF_ID' in the corresponding index of IdentifyingDescriptions.

Created By: Static

Modified By: Static

Deleted By: Static

Requirement: Mandatory

Shall be associated to RegisteredProfile using ElementConformsToProfile association. The RegisteredProfile instance shall have RegisteredName set to 'Fabric', RegisteredOrganization set to 'SNIA', and RegisteredVersion set to '1.6.0'.

Table 6 describes class CIM_AdminDomain (Fabric).

Table 6 - SMI Referenced Properties/Methods for CIM_AdminDomain (Fabric)

Properties	Flags	Requirement	Description & Notes
CreationClassName		Mandatory	Name of Class.
Name	C	Mandatory	WWN of Fabric.
NameFormat		Mandatory	Shall be 'WWN'.
ElementName		Optional	A user friendly name for the Fabric (implementation dependent).
OtherIdentifyingInfo		Mandatory	For a Fabric AdminDomain this property shall contain the value 'Fabric'. For Virtual Fabrics, one of the indices shall contain the value of the Virtual Fabric ID and in the corresponding index for OtherIdentifyingDescription the value 'SNIA:VF_ID'.
IdentifyingDescriptions		Mandatory	For a Fabric AdminDomain this property shall contain the value 'SNIA:DetailedType' in the index for the OtherIdentifyingInfo of 'Fabric'. For Virtual Fabrics, One of the indices shall contain the value 'SNIA:VF_ID' and in the corresponding index for OtherIdentifyingInfo the value of the Virtual Fabric ID.

4.8.3 CIM_AdminDomain (SAN)

AdminDomain representing the SAN.

Created By: Static

Modified By: Static

Deleted By: Static

Requirement: Mandatory

Table 7 describes class CIM_AdminDomain (SAN).

Table 7 - SMI Referenced Properties/Methods for CIM_AdminDomain (SAN)

Properties	Flags	Requirement	Description & Notes
CreationClassName		Mandatory	Name of Class.
Name		Mandatory	An arbitrary name (implementation dependent).
NameFormat		Mandatory	Dependent on the arbitrary name chosen.
ElementName		Optional	A user friendly name for the SAN (implementation dependent).
OtherIdentifyingInfo		Mandatory	For a SAN AdminDomain this property shall contain the value 'SAN'.
IdentifyingDescriptions		Mandatory	For a SAN AdminDomain this property shall contain the value 'SNIA:DetailedType' in the index for the OtherIdentifyingInfo of 'SAN'.

4.8.4 CIM_Component (Platform to Fabric)

Aggregates Hosts and Arrays (Platforms) in the AdminDomain that represents the Fabric.

Created By: Static

Modified By: Static

Deleted By: Static

Requirement: Optional

Table 8 describes class CIM_Component (Platform to Fabric).

Table 8 - SMI Referenced Properties/Methods for CIM_Component (Platform to Fabric)

Properties	Flags	Requirement	Description & Notes
PartComponent		Mandatory	Reference to a Storage Platform or Host Platform ComputerSystem.
GroupComponent		Mandatory	Reference to the AdminDomain representing the Fabric (OtherIdentifyingInfo contains 'Fabric' with a corresponding 'SNIA:DetailedType' in IdentifyingDescriptions').

4.8.5 CIM_Component (Switch to Fabric)

Aggregates Switches in the AdminDomain that represents the Fabric.

Created By: Static

Modified By: Static

Deleted By: Static

Requirement: Mandatory

Table 9 describes class CIM_Component (Switch to Fabric).

Table 9 - SMI Referenced Properties/Methods for CIM_Component (Switch to Fabric)

Properties	Flags	Requirement	Description & Notes
PartComponent		Mandatory	Reference to Switch (a ComputerSystem with Dedicated='5').
GroupComponent		Mandatory	Reference to the AdminDomain representing the Fabric (OtherIdentifyingInfo contains 'Fabric' with a corresponding 'SNIA:DetailedType' in IdentifyingDescriptions').

4.8.6 CIM_ComputerSystem (Host Platform)

The ComputerSystem representing the Host Platform. This class is typically instantiated if the end device has populated the Fibre Channel Platform Database or FDMI.

Created By: Static

Modified By: Static

Deleted By: Static

Requirement: Mandatory

Table 10 describes class CIM_ComputerSystem (Host Platform).

Table 10 - SMI Referenced Properties/Methods for CIM_ComputerSystem (Host Platform)

Properties	Flags	Requirement	Description & Notes
CreationClassName		Mandatory	Name of Class.
Name	C	Mandatory	The Platform Name or FDMI Host Name.
ElementName		Mandatory	The Platform Label.
NameFormat		Mandatory	
Dedicated		Mandatory	For a FC-GS Platform Type of Host, this shall be 'Not Dedicated' (0) or 'Unknown' (1).

4.8.7 CIM_ComputerSystem (Partitioned Switch)

The ComputerSystem representing a Partitioned Switch. This is a constrained case of the Switch ComputerSystem. Instance of a Partitioned Switch shall have an entry of 'Virtual Switch' and an entry for the Virtual Fabric ID in the OtherIdentifyingInfo array property (as well as the DomainID for the Switch).

Created By: Static

Modified By: Static

Deleted By: Static

Requirement: Required if the Virtual Fabrics profile is implemented.

Table 11 describes class CIM_ComputerSystem (Partitioned Switch).

Table 11 - SMI Referenced Properties/Methods for CIM_ComputerSystem (Partitioned Switch)

Properties	Flags	Requirement	Description & Notes
CreationClassName		Mandatory	See the CreationClassName definition in section <i>Storage Management Technical Specification, Part 6 Fabric, 1.6.1 Rev 6 4.8.9</i> CIM_ComputerSystem (Switch).
Name	C	Mandatory	See the Name definition in section <i>Storage Management Technical Specification, Part 6 Fabric, 1.6.1 Rev 6 4.8.9</i> CIM_ComputerSystem (Switch).
ElementName		Mandatory	See the ElementName definition in section <i>Storage Management Technical Specification, Part 6 Fabric, 1.6.1 Rev 6 4.8.9</i> CIM_ComputerSystem (Switch).
NameFormat		Mandatory	See the NameFormat definition in section <i>Storage Management Technical Specification, Part 6 Fabric, 1.6.1 Rev 6 4.8.9</i> CIM_ComputerSystem (Switch).
OperationalStatus		Mandatory	See the OperationalStatus definition in section <i>Storage Management Technical Specification, Part 6 Fabric, 1.6.1 Rev 6 4.8.9</i> CIM_ComputerSystem (Switch).
OtherIdentifyingInfo		Mandatory	One element shall contain the DomainID stored in decimal format. Another value corresponding to 'SNIA:DetailedType' shall contain 'Virtual Switch'. Yet another element shall contain a Virtual Fabric ID corresponding to 'SNIA:VF_ID'. In addition, other 'SNIA:DetailedType' entries may also be in this property (e.g., 'Front Domain', 'Translate Domain' or 'Backbone').
Dedicated		Mandatory	See the Dedicated definition in section <i>Storage Management Technical Specification, Part 6 Fabric, 1.6.1 Rev 6 4.8.9</i> CIM_ComputerSystem (Switch).
IdentifyingDescriptions		Mandatory	One of the indices shall contain the value 'DomainID' and in the corresponding index for OtherIdentifyingInfo the value of the Domain ID. One of the other indices shall contain the value 'SNIA:DetailedType' and in the corresponding index for OtherIdentifyingInfo a value of 'Virtual Switch' for a Partitioned Switch. Yet another element shall contain 'SNIA:VF_ID' in the element that corresponds to the virtual fabric ID in OtherIdentifyingInfo.
EnabledState		Mandatory	Experimental. See the EnabledState definition in section <i>Storage Management Technical Specification, Part 6 Fabric, 1.6.1 Rev 6 4.8.9</i> CIM_ComputerSystem (Switch).
RequestedState		Conditional	Conditional requirement: Required if the Switch profile is implemented. See the RequestedState definition in section <i>Storage Management Technical Specification, Part 6 Fabric, 1.6.1 Rev 6 12.8.2</i> CIM_ComputerSystem (Switch).

Table 11 - SMI Referenced Properties/Methods for CIM_ComputerSystem (Partitioned Switch)

Properties	Flags	Requirement	Description & Notes
EnabledDefault		Optional	See the EnabledDefault definition in section <i>Storage Management Technical Specification, Part 6 Fabric, 1.6.1 Rev 6</i> .
RequestStateChange()		Conditional	Conditional requirement: Required if the Switch profile is implemented. See the RequestStateChange definition in section <i>Storage Management Technical Specification, Part 6 Fabric, 1.6.1 Rev 6</i> 12.8.2 CIM_ComputerSystem (Switch).

4.8.8 CIM_ComputerSystem (Storage Platform)

The ComputerSystem representing the Storage Platform (e.g. an Array). This class is typically instantiated if the end device has populated the Fibre Channel Platform Database.

Created By: Static

Modified By: Static

Deleted By: Static

Requirement: Mandatory

Table 12 describes class CIM_ComputerSystem (Storage Platform).

Table 12 - SMI Referenced Properties/Methods for CIM_ComputerSystem (Storage Platform)

Properties	Flags	Requirement	Description & Notes
CreationClassName		Mandatory	Name of Class.
Name	C	Mandatory	The Platform Name.
ElementName		Mandatory	The Platform Label.
NameFormat		Mandatory	
Dedicated		Mandatory	For a FC-GS Platform Type for storage subsystems, 'Storage' (3) or 'Unknown' (1).

4.8.9 CIM_ComputerSystem (Switch)

The ComputerSystem representing the Switch.

Created By: Static

Modified By: Static

Deleted By: Static

Requirement: Mandatory

Table 13 describes class CIM_ComputerSystem (Switch).

Table 13 - SMI Referenced Properties/Methods for CIM_ComputerSystem (Switch)

Properties	Flags	Requirement	Description & Notes
CreationClassName		Mandatory	Name of Class.
Name	C	Mandatory	The Switch WWN.
ElementName		Mandatory	The Switch Symbolic Name.
NameFormat		Mandatory	Shall be 'WWN'.

Table 13 - SMI Referenced Properties/Methods for CIM_ComputerSystem (Switch)

Properties	Flags	Requirement	Description & Notes
OperationalStatus		Mandatory	One of the defined values (2 3 6 8 9 10 11 12 13) shall be present in the array value.
OtherIdentifyingInfo		Mandatory	One element shall contain the DomainID stored in decimal format. Another value corresponding to 'SNIA:DetailedType' shall contain 'Front Domain', 'Translate Domain', 'Virtual Switch' or 'None'.
Dedicated		Mandatory	Shall be 5 (Switch).
IdentifyingDescriptions		Mandatory	One of the indices shall contain the value 'DomainID' and in the corresponding index for OtherIdentifyingInfo the value of the Domain ID. One of the other indices shall contain the value 'SNIA:DetailedType' and in the corresponding index for OtherIdentifyingInfo a value of 'Front Domain' for an Inter-Fabric Routing (IFR) Front Domain, 'Translate Domain' for an Inter-Fabric Routing (IFR) Translate Domain, 'Virtual Switch' for a Virtual Fabric Partitioned Switch, or 'None' when the other values don't apply.
EnabledState		Mandatory	Experimental. This property shall be 5 ('Not Applicable') when an implementation does not support the Switch Profile for this switch.
RequestedState		Conditional	Conditional requirement: Required if the Switch profile is implemented. See the RequestedState definition in section <i>Storage Management Technical Specification, Part 6 Fabric, 1.6.1 Rev 6 12.8.2 CIM_ComputerSystem (Switch)</i> .
EnabledDefault		Optional	See the EnabledDefault definition in section <i>Storage Management Technical Specification, Part 6 Fabric, 1.6.1 Rev 6 12.8.2 CIM_ComputerSystem (Switch)</i> .
RequestStateChange()		Conditional	Conditional requirement: Required if the Switch profile is implemented. See the RequestStateChange definition in section <i>Storage Management Technical Specification, Part 6 Fabric, 1.6.1 Rev 6 12.8.2 CIM_ComputerSystem (Switch)</i> .

4.8.10 CIM_ConnectivityCollection

Collects the ProtocolEndpoints of the fabric.

Created By: Static

Modified By: Static

Deleted By: Static

Requirement: Mandatory

Table 14 describes class CIM_ConnectivityCollection.

Table 14 - SMI Referenced Properties/Methods for CIM_ConnectivityCollection

Properties	Flags	Requirement	Description & Notes
InstanceID		Mandatory	Opaque.
ElementName		Optional	Not required, can be the Fabric WWN.

4.8.11 CIM_ContainedDomain

Associates one or more Fabrics to a SAN.

Created By: Static

Modified By: Static

Deleted By: Static
Requirement: Mandatory

Table 15 describes class CIM_ContainedDomain.

Table 15 - SMI Referenced Properties/Methods for CIM_ContainedDomain

Properties	Flags	Requirement	Description & Notes
PartComponent		Mandatory	The reference to the AdminDomain representing the Fabric (OtherIdentifyingInfo contains 'Fabric' with a corresponding 'SNIA:DetailedType' in IdentifyingDescriptions).
GroupComponent		Mandatory	The reference to the AdminDomain representing the SAN (OtherIdentifyingInfo contains 'SAN' with a corresponding 'SNIA:DetailedType' in IdentifyingDescriptions).

4.8.12 CIM_DeviceSAPImplementation (Non-Switch to FCPort)

Associates the Non-Switch (Host or Storage) FCPort to the ProtocolEndpoint.

Created By: Static
Modified By: Static
Deleted By: Static
Requirement: Mandatory

Table 16 describes class CIM_DeviceSAPImplementation (Non-Switch to FCPort).

Table 16 - SMI Referenced Properties/Methods for CIM_DeviceSAPImplementation (Non-Switch to FCPort)

Properties	Flags	Requirement	Description & Notes
Dependent		Mandatory	Reference to the ProtocolEndpoint.
Antecedent		Mandatory	Reference to the Non-Switch FCPort (Host or Storage).

4.8.13 CIM_DeviceSAPImplementation (Switch to FCPort)

Associates the Switch FCPort to the ProtocolEndpoint.

Created By: Static
Modified By: Static
Deleted By: Static
Requirement: Mandatory

Table 17 describes class CIM_DeviceSAPImplementation (Switch to FCPort).

Table 17 - SMI Referenced Properties/Methods for CIM_DeviceSAPImplementation (Switch to FCPort)

Properties	Flags	Requirement	Description & Notes
Dependent		Mandatory	Reference to the ProtocolEndpoint.
Antecedent		Mandatory	Reference to the Switch FCPort or Virtual Switch FCPort.

4.8.14 CIM_ElementCapabilities (ZoneCapabilities to Fabric.)

Associates the ZoneCapabilities to a System. The system is the AdminDomain representing the Fabric.

Created By: Static
 Modified By: Static
 Deleted By: Static
 Requirement: Mandatory

Table 18 describes class CIM_ElementCapabilities (ZoneCapabilities to Fabric.).

Table 18 - SMI Referenced Properties/Methods for CIM_ElementCapabilities (ZoneCapabilities to Fabric.)

Properties	Flags	Requirement	Description & Notes
Capabilities		Mandatory	Reference to ZoneCapabilities.
ManagedElement		Mandatory	Reference to a Fabric AdminDomain (OtherIdentifyingInfo contains 'Fabric' with a corresponding 'SNIA:DetailedType' in IdentifyingDescriptions).

4.8.15 CIM_ElementCapabilities (ZoneCapabilities to Switch.)

Associates the ZoneCapabilities to a System. The system normally is the AdminDomain representing the Fabric, but in some cases where the Zone Database is not a fabric entity, it maybe hosted on a ComputerSystem representing the Switch.

Created By: Static
 Modified By: Static
 Deleted By: Static
 Requirement: Mandatory

Table 19 describes class CIM_ElementCapabilities (ZoneCapabilities to Switch.).

Table 19 - SMI Referenced Properties/Methods for CIM_ElementCapabilities (ZoneCapabilities to Switch.)

Properties	Flags	Requirement	Description & Notes
Capabilities		Mandatory	Reference to ZoneCapabilities.
ManagedElement		Mandatory	Reference to a Switch ComputerSystem.

4.8.16 CIM_ElementSettingData (ZoneMembershipSettingData to Zone)

Associates ZoneMembershipSettingData to the Zone.

Created By: Extrinsic: AddZoneMemberSettingData
 Modified By: Static
 Deleted By: Static
 Requirement: Mandatory

Table 20 describes class CIM_ElementSettingData (ZoneMembershipSettingData to Zone).

Table 20 - SMI Referenced Properties/Methods for CIM_ElementSettingData (ZoneMembershipSettingData to Zone)

Properties	Flags	Requirement	Description & Notes
SettingData		Mandatory	Reference to a ZoneMembershipSettingData.
ManagedElement		Mandatory	Reference to the Zone.

4.8.17 CIM_FCActiveConnection

Experimental. The association between ProtocolEndpoints representing the links between fibre channel devices (including ISLs). For loops and NPIV, multiple ActiveConnections are instantiated as one to many relationships.

Created By: Static

Modified By: Static

Deleted By: Static

Requirement: Optional

Table 21 describes class CIM_FCActiveConnection.

Table 21 - SMI Referenced Properties/Methods for CIM_FCActiveConnection

Properties	Flags	Requirement	Description & Notes
Discriminator		Optional	An array property enumeration used to discriminate the context in which the ActiveConnection is instantiated. Values supported by this standard include '0' (Unknown), '2' (None), '3' (NPIV), '4' (Chassis), '5' (Virtual Fabric) or '6' (IFR).
Antecedent		Mandatory	The reference to the ProtocolEndpoint for one end of the link.
Dependent		Mandatory	The reference to the ProtocolEndpoint for the other end of the link.

4.8.18 CIM_FCPort (Host FCPort)

Fibre Channel Port for Host Platforms.

Created By: Static

Modified By: Static

Deleted By: Static

Requirement: Mandatory

Table 22 describes class CIM_FCPort (Host FCPort).

Table 22 - SMI Referenced Properties/Methods for CIM_FCPort (Host FCPort)

Properties	Flags	Requirement	Description & Notes
SystemCreationClassName		Mandatory	The scoping System's CreationClassName.
SystemName		Mandatory	The scoping System's Name.
CreationClassName		Mandatory	Name of Class.
DeviceID		Mandatory	Opaque.
ElementName		Optional	Port Symbolic Name if available. Otherwise NULL. If the underlying implementation includes characters that are illegal in CIM strings, then truncate before the first of those characters.
PermanentAddress	CD	Mandatory	Fibre Channel Port WWN. Expressed as 16 un-separated upper case hex digits (see Table 4 for more information about formats).
NetworkAddresses	C	Mandatory	Fibre Channel ID (FCID). Expressed as 8 un-separated upper case hex digits (see Table 4 for more information about formats).
OperationalStatus		Mandatory	One of the defined values (0 2 6 10 11) shall be present in the array value.

Table 22 - SMI Referenced Properties/Methods for CIM_FCPort (Host FCPort)

Properties	Flags	Requirement	Description & Notes
PortType		Mandatory	The specific port type (0 1 10 11 12 13 14 15 16 17 18) currently enabled (from FC-GS Port.Type).
LinkTechnology		Mandatory	Shall be 4 ('FC').
SupportedFC4Types		Optional	An array of integers indicating the Fibre Channel FC-4 protocols supported. EXPERIMENTAL [When supporting FC-SB, this property shall be either '27' (FC-SB-2 Channel) for Host Ports or '28' (FC-SB-2 Control Unit) for targets.] EXPERIMENTAL .
SupportedCOS		Optional	An array of integers indicating the Fibre Channel Classes of Service that are supported. EXPERIMENTAL [When supporting FC-SB, this property shall be either '2' or '3' for FC-SB-2 Channel or FC-SB-2 Control Unit ports, respectively.] EXPERIMENTAL .

4.8.19 CIM_FCPort (Host NPIV FCPort)

Experimental. A Host NPIV Fibre Channel Port for Host Platforms.

Created By: Static

Modified By: Static

Deleted By: Static

Requirement: Optional

Table 23 describes class CIM_FCPort (Host NPIV FCPort).

Table 23 - SMI Referenced Properties/Methods for CIM_FCPort (Host NPIV FCPort)

Properties	Flags	Requirement	Description & Notes
SystemCreationClassName		Mandatory	The scoping System's CreationClassName.
SystemName		Mandatory	The scoping System's Name.
CreationClassName		Mandatory	Name of Class.
DeviceID		Mandatory	Opaque.
ElementName		Optional	Port Symbolic Name if available. Otherwise NULL. If the underlying implementation includes characters that are illegal in CIM strings, then truncate before the first of those characters.
PermanentAddress	CD	Mandatory	Fibre Channel Port WWN. Expressed as 16 un-separated upper case hex digits (see Table 4 for more information about formats).
NetworkAddresses	C	Mandatory	Fibre Channel ID (FCID). Expressed as 8 un-separated upper case hex digits (see Table 4 for more information about formats).
OperationalStatus		Mandatory	One of the defined values (0 2 6 10 11) shall be present in the array value.
PortType		Mandatory	The specific port type (0 1 10 11 12 13 14 15 16 17 18) currently enabled (from FC-GS Port.Type).
LinkTechnology		Mandatory	Shall be 4 ('FC').
PortDiscriminator		Mandatory	Experimental. For NPIV Host FCPorts this shall contain '7' (NPIV).

Table 23 - SMI Referenced Properties/Methods for CIM_FCPort (Host NPIV FCPort)

Properties	Flags	Requirement	Description & Notes
SupportedFC4Types		Optional	An array of integers indicating the Fibre Channel FC-4 protocols supported. EXPERIMENTAL When supporting FC-SB, this property shall be either '27' (FC-SB-2 Channel) for Host Ports or '28' (FC-SB-2 Control Unit) for targets. EXPERIMENTAL .
SupportedCOS		Optional	An array of integers indicating the Fibre Channel Classes of Service that are supported. EXPERIMENTAL When supporting FC-SB, this property shall be either '2' or '3' for FC-SB-2 Channel or FC-SB-2 Control Unit ports, respectively. EXPERIMENTAL .

4.8.20 CIM_FCPort (Partitioned Switch FCPort)

Fibre Channel Port for Partitioned Switch.

Created By: Static

Modified By: Static

Deleted By: Static

Requirement: Support for the Switch Partitioning profile.

Table 24 describes class CIM_FCPort (Partitioned Switch FCPort).

Table 24 - SMI Referenced Properties/Methods for CIM_FCPort (Partitioned Switch FCPort)

Properties	Flags	Requirement	Description & Notes
SystemCreationClassName		Mandatory	See the SystemCreationClassName definition in section <i>Storage Management Technical Specification, Part 6 Fabric, 1.6.1 Rev 6 4.8.22</i> CIM_FCPort (Switch FCPort).
SystemName		Mandatory	See the SystemName definition in section <i>Storage Management Technical Specification, Part 6 Fabric, 1.6.1 Rev 6 4.8.22</i> CIM_FCPort (Switch FCPort).
CreationClassName		Mandatory	See the CreationClassName definition in section <i>Storage Management Technical Specification, Part 6 Fabric, 1.6.1 Rev 6 4.8.22</i> CIM_FCPort (Switch FCPort).
DeviceID		Mandatory	See the DeviceID definition in section <i>Storage Management Technical Specification, Part 6 Fabric, 1.6.1 Rev 6 4.8.22</i> CIM_FCPort (Switch FCPort).
ElementName		Mandatory	See the ElementName definition in section <i>Storage Management Technical Specification, Part 6 Fabric, 1.6.1 Rev 6 4.8.22</i> CIM_FCPort (Switch FCPort).
PermanentAddress	CD	Mandatory	See the PermanentAddress definition in section <i>Storage Management Technical Specification, Part 6 Fabric, 1.6.1 Rev 6 4.8.22</i> CIM_FCPort (Switch FCPort).
Speed		Conditional	Conditional requirement: Required if the Switch profile is implemented. See the Speed definition in section <i>Storage Management Technical Specification, Part 6 Fabric, 1.6.1 Rev 6 12.8.11</i> CIM_FCPort (Switch FCPort).

Table 24 - SMI Referenced Properties/Methods for CIM_FCPort (Partitioned Switch FCPort)

Properties	Flags	Requirement	Description & Notes
OperationalStatus		Mandatory	See the OperationalStatus definition in section <i>Storage Management Technical Specification, Part 6 Fabric, 1.6.1 Rev 6 4.8.22</i> CIM_FCPort (Switch FCPort).
PortType		Mandatory	See the PortType definition in section <i>Storage Management Technical Specification, Part 6 Fabric, 1.6.1 Rev 6 4.8.22</i> CIM_FCPort (Switch FCPort).
LinkTechnology		Mandatory	See the LinkTechnology definition in section <i>Storage Management Technical Specification, Part 6 Fabric, 1.6.1 Rev 6 4.8.22</i> CIM_FCPort (Switch FCPort).
EnabledState		Mandatory	Experimental. See the EnabledState definition in section <i>Storage Management Technical Specification, Part 6 Fabric, 1.6.1 Rev 6 4.8.22</i> CIM_FCPort (Switch FCPort).
DetailedPortState		Conditional	Experimental. Conditional requirement: Required if the Switch profile is implemented. See <i>Storage Management Technical Specification, Part 6 Fabric, 1.6.1 Rev 6 Table 136 - DetailedPortState</i> for FCPort.
PortAvailability		Optional	Experimental. See <i>Storage Management Technical Specification, Part 6 Fabric, 1.6.1 Rev 6 Table 137 - PortAvailability</i> for FCPort.
RequestedState		Conditional	Conditional requirement: Required if the Switch profile is implemented. See the RequestedState definition in section <i>Storage Management Technical Specification, Part 6 Fabric, 1.6.1 Rev 6 12.8.11</i> CIM_FCPort (Switch FCPort).
EnabledDefault		Conditional	Conditional requirement: Required if the Switch profile is implemented. See the EnabledDefault definition in section <i>Storage Management Technical Specification, Part 6 Fabric, 1.6.1 Rev 6 12.8.11</i> CIM_FCPort (Switch FCPort).
MaxSpeed		Conditional	Conditional requirement: Required if the Switch profile is implemented. See the MaxSpeed definition in section <i>Storage Management Technical Specification, Part 6 Fabric, 1.6.1 Rev 6 12.8.11</i> CIM_FCPort (Switch FCPort).
PortNumber		Conditional	Conditional requirement: Required if the Switch profile is implemented. See the PortNumber definition in section <i>Storage Management Technical Specification, Part 6 Fabric, 1.6.1 Rev 6 12.8.11</i> CIM_FCPort (Switch FCPort).
PortDiscriminator		Mandatory	Experimental. This array property identifies the context in which this FCPort is instantiated. For a Partitioned Switch FCPort, the values may be '3' (VF), '6' (IFR (Virtual)) or '7' (NPIV).
RequestStateChange()		Conditional	Conditional requirement: Support for the Switch Profile and a non-null value in FCPortCapabilities.RequestedStatesSupported. See the RequestStateChange definition in section <i>Storage Management Technical Specification, Part 6 Fabric, 1.6.1 Rev 6 12.8.11</i> CIM_FCPort (Switch FCPort).

4.8.21 CIM_FCPort (Storage FCPort)

Fibre Channel Port for Storage Platforms.

Created By: Static

Modified By: Static

Deleted By: Static

Requirement: Mandatory

Table 25 describes class CIM_FCPort (Storage FCPort).

Table 25 - SMI Referenced Properties/Methods for CIM_FCPort (Storage FCPort)

Properties	Flags	Requirement	Description & Notes
SystemCreationClassName		Mandatory	The scoping System's CreationClassName.
SystemName		Mandatory	The scoping System's Name.
CreationClassName		Mandatory	Name of Class.
DeviceID		Mandatory	Opaque.
ElementName		Optional	Port Symbolic Name if available. Otherwise NULL. If the underlying implementation includes characters that are illegal in CIM strings, then truncate before the first of those characters.
PermanentAddress	CD	Mandatory	Fibre Channel Port WWN. Expressed as 16 un-separated upper case hex digits (see Table 4 for more information about formats).
NetworkAddresses	C	Mandatory	Fibre Channel ID (FCID). Expressed as 8 un-separated upper case hex digits (see Table 4 for more information about formats).
OperationalStatus		Mandatory	One of the defined values (0 2 6 10 11) shall be present in the array value.
PortType		Mandatory	The specific port type (0 1 10 11 12 13 14 15 16 17 18) currently enabled (from FC-GS Port.Type).
LinkTechnology		Mandatory	Shall be 4 ('FC').
SupportedFC4Types		Optional	An array of integers indicating the Fibre Channel FC-4 protocols supported. EXPERIMENTAL When supporting FC-SB, this property shall be either '27' (FC-SB-2 Channel) for Host Ports or '28' (FC-SB-2 Control Unit) for targets. EXPERIMENTAL .
SupportedCOS		Optional	An array of integers indicating the Fibre Channel Classes of Service that are supported. EXPERIMENTAL When supporting FC-SB, this property shall be either '2' or '3' for FC-SB-2 Channel or FC-SB-2 Control Unit ports, respectively. EXPERIMENTAL .

4.8.22 CIM_FCPort (Switch FCPort)

Fibre Channel Port for Switch.

Created By: Static

Modified By: Static

Deleted By: Static

Requirement: Mandatory

Table 26 describes class CIM_FCPort (Switch FCPort).

Table 26 - SMI Referenced Properties/Methods for CIM_FCPort (Switch FCPort)

Properties	Flags	Requirement	Description & Notes
SystemCreationClassName		Mandatory	The scoping System's CreationClassName.
SystemName		Mandatory	The scoping System's Name.
CreationClassName		Mandatory	Name of Class.
DeviceID		Mandatory	Opaque.
ElementName		Mandatory	Port Symbolic Name if available. Otherwise NULL. If the underlying implementation includes characters that are illegal in CIM strings, then truncate before the first of those characters.
PermanentAddress	CD	Mandatory	Fibre Channel Port WWN.
Speed		Conditional	Conditional requirement: Required if the Switch profile is implemented. See the Speed definition in section <i>Storage Management Technical Specification, Part 6 Fabric, 1.6.1 Rev 6 12.8.11</i> CIM_FCPort (Switch FCPort).
OperationalStatus		Mandatory	One of the defined values (0 2 6 10 11) shall be present in the array value.
PortType		Mandatory	The specific port type (0 1 10 11 12 13 14 15 16 17 18) currently enabled (from FC-GS Port.Type).
LinkTechnology		Mandatory	This shall be 4 ('FC').
EnabledState		Mandatory	Experimental. This property shall be 5 ('Not Applicable') when an implementation does not support the Switch Profile for the switch this port is on.
DetailedPortState		Conditional	Experimental. Conditional requirement: Required if the Switch profile is implemented. See <i>Storage Management Technical Specification, Part 6 Fabric, 1.6.1 Rev 6 Table 136 - DetailedPortState</i> for FCPort.
PortAvailability		Optional	Experimental. See <i>Storage Management Technical Specification, Part 6 Fabric, 1.6.1 Rev 6 Table 137 - PortAvailability</i> for FCPort.
RequestedState		Conditional	Conditional requirement: Required if the Switch profile is implemented. See the RequestedState definition in section <i>Storage Management Technical Specification, Part 6 Fabric, 1.6.1 Rev 6 12.8.11</i> CIM_FCPort (Switch FCPort).
EnabledDefault		Conditional	Conditional requirement: Required if the Switch profile is implemented. See the EnabledDefault definition in section <i>Storage Management Technical Specification, Part 6 Fabric, 1.6.1 Rev 6 12.8.11</i> CIM_FCPort (Switch FCPort).
MaxSpeed		Conditional	Conditional requirement: Required if the Switch profile is implemented. See the MaxSpeed definition in section <i>Storage Management Technical Specification, Part 6 Fabric, 1.6.1 Rev 6 12.8.11</i> CIM_FCPort (Switch FCPort).

Table 26 - SMI Referenced Properties/Methods for CIM_FCPort (Switch FCPort)

Properties	Flags	Requirement	Description & Notes
PortNumber		Conditional	Conditional requirement: Required if the Switch profile is implemented. See the PortNumber definition in section <i>Storage Management Technical Specification, Part 6 Fabric, 1.6.1 Rev 6 12.8.11</i> CIM_FCPort (Switch FCPort).
PortDiscriminator		Optional	Experimental. This array property identifies the context in which this FCPort is instantiated. For this version of the standard, the values may be '0' (Unknown), '2' (Not applicable), '3' (VF), '4' (FCIP), '5' (IFR), '6' (IFR (Virtual)), '7' (NPIV), '8' (Internal) or '9' (Chassis).
RequestStateChange()		Conditional	Conditional requirement: Support for the Switch Profile and a non-null value in FCPortCapabilities.RequestedStatesSupported. See the RequestStateChange definition in section <i>Storage Management Technical Specification, Part 6 Fabric, 1.6.1 Rev 6 12.8.11</i> CIM_FCPort (Switch FCPort).

4.8.23 CIM_FilterCollection (Fabric Predefined FilterCollection)

Experimental. This is a collection of predefined IndicationFilters to which a client may subscribe. A Fabric implementation shall indicate support for predefined FilterCollections by the SNIA_IndicationConfigurationCapabilities.FeaturesSupported = '5' (Predefined Filter Collections).

Requirement: Required if the Experimental Indication Profile is supported and the SNIA_IndicationConfigurationCapabilities.SupportedFeatures='5' (Predefined Filter Collections).

Table 27 describes class CIM_FilterCollection (Fabric Predefined FilterCollection).

Table 27 - SMI Referenced Properties/Methods for CIM_FilterCollection (Fabric Predefined FilterCollection)

Properties	Flags	Requirement	Description & Notes
InstanceID		Mandatory	Shall specify the unique identifier for an instance of this class within the Implementation namespace.
CollectionName		Mandatory	The value of CollectionName shall be 'SNIA:Fabric:Predefined'.

4.8.24 CIM_FilterCollection (Fabric ProfileSpecificAlertIndicationFilterCollection)

Experimental. This is a collection of Lifecycle IndicationFilters defined by the Fabric Profile.

Requirement: Optional

Table 28 describes class CIM_FilterCollection (Fabric ProfileSpecificAlertIndicationFilterCollection).

Table 28 - SMI Referenced Properties/Methods for CIM_FilterCollection (Fabric ProfileSpecificAlertIndicationFilterCollection)

Properties	Flags	Requirement	Description & Notes
InstanceID		Mandatory	See the InstanceID definition in section <i>Storage Management Technical Specification, Part 3 Common Profiles, 1.6.1 Rev 6</i> 50.6.13 CIM_FilterCollection (StaticFilterCollection).
CollectionName		Mandatory	The value of CollectionName shall be 'SNIA:Fabric:ProfileSpecificAlertIndicationFilterCollection'.

4.8.25 CIM_FilterCollection (Fabric ProfileSpecificLifecycleIndicationFilterCollection)

Experimental. This is a collection of Lifecycle IndicationFilters defined by the Fabric Profile.

Requirement: Optional

Table 29 describes class CIM_FilterCollection (Fabric ProfileSpecificLifecycleIndicationFilterCollection).

Table 29 - SMI Referenced Properties/Methods for CIM_FilterCollection (Fabric ProfileSpecificLifecycleIndicationFilterCollection)

Properties	Flags	Requirement	Description & Notes
InstanceID		Mandatory	See the InstanceID definition in section <i>Storage Management Technical Specification, Part 3 Common Profiles, 1.6.1 Rev 6</i> 50.6.13 CIM_FilterCollection (StaticFilterCollection).
CollectionName		Mandatory	The value of CollectionName shall be 'SNIA:Fabric:ProfileSpecificLifecycleIndicationFilterCollection'.

4.8.26 CIM_HostedAccessPoint (AdminDomain to ProtocolEndpoint)

Associates the ProtocolEndpoint to the Fabric AdminDomain for those systems not registered in the Platform Database or discovered through FDMI.

Created By: Static

Modified By: Static

Deleted By: Static

Requirement: Optional

Table 30 describes class CIM_HostedAccessPoint (AdminDomain to ProtocolEndpoint).

Table 30 - SMI Referenced Properties/Methods for CIM_HostedAccessPoint (AdminDomain to ProtocolEndpoint)

Properties	Flags	Requirement	Description & Notes
Dependent		Mandatory	Reference to the ProtocolEndpoint.
Antecedent		Mandatory	Reference to the Fabric AdminDomain (OtherIdentifyingInfo contains 'Fabric' with a corresponding 'SNIA:DetailedType' in IdentifyingDescriptions).

4.8.27 CIM_HostedAccessPoint (ComputerSystem to ProtocolEndpoint)

Associates the ProtocolEndpoint to the hosting System. The hosting System is a ComputerSystem for the Switch or Platform.

Created By: Static

Modified By: Static

Deleted By: Static

Requirement: Mandatory

Table 31 describes class CIM_HostedAccessPoint (ComputerSystem to ProtocolEndpoint).

Table 31 - SMI Referenced Properties/Methods for CIM_HostedAccessPoint (ComputerSystem to ProtocolEndpoint)

Properties	Flags	Requirement	Description & Notes
Dependent		Mandatory	Reference to the ProtocolEndpoint.
Antecedent		Mandatory	Reference to the Switch, Storage Platform or Host Platform ComputerSystem.

4.8.28 CIM_HostedCollection (AdminDomain to Fabric ProfileSpecificAlertIndicationFilterCollection)

Experimental.

Requirement: Optional

Table 32 describes class CIM_HostedCollection (AdminDomain to Fabric ProfileSpecificAlertIndicationFilterCollection).

Table 32 - SMI Referenced Properties/Methods for CIM_HostedCollection (AdminDomain to Fabric ProfileSpecificAlertIndicationFilterCollection)

Properties	Flags	Requirement	Description & Notes
Dependent		Mandatory	Reference to the ProfileSpecificAlertIndicationFilterCollection for the Fabric Profile.
Antecedent		Mandatory	Reference to the Fabric AdminDomain.

4.8.29 CIM_HostedCollection (AdminDomain to Fabric ProfileSpecificLifecycleIndicationFilterCollection)

Experimental.

Requirement: Optional

Table 33 describes class CIM_HostedCollection (AdminDomain to Fabric ProfileSpecificLifecycleIndicationFilterCollection).

Table 33 - SMI Referenced Properties/Methods for CIM_HostedCollection (AdminDomain to Fabric Profile-SpecificLifecycleIndicationFilterCollection)

Properties	Flags	Requirement	Description & Notes
Dependent		Mandatory	Reference to the ProfileSpecificLifecycleIndicationFilterCollection for the Fabric.
Antecedent		Mandatory	Reference to the Fabric AdminDomain.

4.8.30 CIM_HostedCollection (Fabric to ConnectivityCollection)

Associates the ConnectivityCollection to the AdminDomain representing the Fabric.

Created By: Static

Modified By: Static

Deleted By: Static

Requirement: Mandatory

Table 34 describes class CIM_HostedCollection (Fabric to ConnectivityCollection).

Table 34 - SMI Referenced Properties/Methods for CIM_HostedCollection (Fabric to ConnectivityCollection)

Properties	Flags	Requirement	Description & Notes
Dependent		Mandatory	Reference to the ConnectivityCollection.
Antecedent		Mandatory	Reference to the Fabric AdminDomain (OtherIdentifyingInfo contains 'Fabric' with a corresponding 'SNIA:DetailedType' in IdentifyingDescriptions).

4.8.31 CIM_HostedCollection (Fabric to predefined FilterCollection)

Experimental.

Requirement: Required if the Experimental Indication Profile is supported and the SNIA_IndicationConfigurationCapabilities.SupportedFeatures='5' (Predefined Filter Collections).

Table 35 describes class CIM_HostedCollection (Fabric to predefined FilterCollection).

Table 35 - SMI Referenced Properties/Methods for CIM_HostedCollection (Fabric to predefined FilterCollection)

Properties	Flags	Requirement	Description & Notes
Dependent		Mandatory	Reference to the predefined FilterCollection for the Fabric.
Antecedent		Mandatory	Reference to the Fabric AdminDomain.

4.8.32 CIM_HostedCollection (System to LogicalPortGroup)

Associates the LogicalPortGroup to the ComputerSystem representing the platform (host or array) or the Fabric (if platforms are not implemented).

Created By: Static

Modified By: Static
 Deleted By: Static
 Requirement: Mandatory

Table 36 describes class CIM_HostedCollection (System to LogicalPortGroup).

Table 36 - SMI Referenced Properties/Methods for CIM_HostedCollection (System to LogicalPortGroup)

Properties	Flags	Requirement	Description & Notes
Dependent		Mandatory	Reference to the LogicalPortGroup.
Antecedent		Mandatory	Reference to the Platform ComputerSystem or Fabric AdminDomain.

4.8.33 CIM_HostedCollection (Zones or ZoneSets to Fabric)

Associates the ZoneSets and Zones to the AdminDomain representing the Fabric.

Created By: Static
 Modified By: Static
 Deleted By: Static
 Requirement: Mandatory

Table 37 describes class CIM_HostedCollection (Zones or ZoneSets to Fabric).

Table 37 - SMI Referenced Properties/Methods for CIM_HostedCollection (Zones or ZoneSets to Fabric)

Properties	Flags	Requirement	Description & Notes
Dependent		Mandatory	Reference to the Zone or ZoneSet.
Antecedent		Mandatory	Reference to the Fabric AdminDomain (OtherIdentifyingInfo contains 'Fabric' with a corresponding 'SNIA:DetailedType' in IdentifyingDescriptions).

4.8.34 CIM_HostedCollection (Zones or ZoneSets to Switch)

Associates the ZoneSets and Zones to the hosting System (the ComputerSystem representing the switch).

Created By: Static
 Modified By: Static
 Deleted By: Static
 Requirement: Mandatory

Table 38 describes class CIM_HostedCollection (Zones or ZoneSets to Switch).

Table 38 - SMI Referenced Properties/Methods for CIM_HostedCollection (Zones or ZoneSets to Switch)

Properties	Flags	Requirement	Description & Notes
Dependent		Mandatory	Reference to the Zone or ZoneSet.
Antecedent		Mandatory	Reference to the Switch ComputerSystem.

4.8.35 CIM_HostedDependency

Experimental. The association representing the relationship of the FCPort that hosts the FCPorts that are virtualized. This association is required for all FCPorts that are instantiated as part of NPIV.

Created By: Static

Modified By: Static

Deleted By: Static

Requirement: Optional

Table 39 describes class CIM_HostedDependency.

Table 39 - SMI Referenced Properties/Methods for CIM_HostedDependency

Properties	Flags	Requirement	Description & Notes
Antecedent		Mandatory	A reference to the hosting Host FCPort ("physical? fibre channel port).
Dependent		Mandatory	A reference to the hosted Host NPIV FCPort (virtualized fibre channel port with PortDiscriminator='7').

4.8.36 CIM_IndicationFilter (Fabric ComputerSystem Creation)

Experimental. This is the 'pre-defined' CIM_IndicationFilter instance for the addition of a new fabric computer system instance. This would represent the addition of a switch or platform computer system to the fabric. This is a special case of the CIM_IndicationFilter (StaticIndicationFilter) class as defined in the Indication Profile.

Created By: Static

Modified By: Static

Deleted By: Static

Requirement: Required if the Experimental Indication Profile is supported and the SNIA_IndicationConfigurationCapabilities.SupportedFeatures='3' (Predefined Filters).

Table 40 describes class CIM_IndicationFilter (Fabric ComputerSystem Creation).

Table 40 - SMI Referenced Properties/Methods for CIM_IndicationFilter (Fabric ComputerSystem Creation)

Properties	Flags	Requirement	Description & Notes
SystemCreationClassName		Mandatory	See the SystemCreationClassName definition in section <i>Storage Management Technical Specification, Part 3 Common Profiles, 1.6.1 Rev 6 50.6.25</i> CIM_IndicationFilter (StaticIndicationFilter).
CreationClassName		Mandatory	See the CreationClassName definition in section <i>Storage Management Technical Specification, Part 3 Common Profiles, 1.6.1 Rev 6 50.6.25</i> CIM_IndicationFilter (StaticIndicationFilter).
SystemName		Mandatory	See the SystemName definition in section <i>Storage Management Technical Specification, Part 3 Common Profiles, 1.6.1 Rev 6 50.6.28</i> CIM_IndicationFilter (pre-defined).
Name		Mandatory	This shall be 'SNIA:Fabric:ComputerSystemCreation'.
SourceNamespace	N	Optional	Deprecated. See the SourceNamespace definition in section <i>Storage Management Technical Specification, Part 3 Common Profiles, 1.6.1 Rev 6 50.6.25</i> CIM_IndicationFilter (StaticIndicationFilter).

Table 40 - SMI Referenced Properties/Methods for CIM_IndicationFilter (Fabric ComputerSystem Creation)

Properties	Flags	Requirement	Description & Notes
SourceNamespaces	N	Mandatory	Experimental. See the SourceNamespaces definition in section <i>Storage Management Technical Specification, Part 3 Common Profiles, 1.6.1 Rev 6</i> 50.6.25 CIM_IndicationFilter (StaticIndicationFilter).
Query		Mandatory	SELECT * FROM CIM_InstCreation WHERE SourceInstance ISA CIM_ComputerSystem.
QueryLanguage		Mandatory	This should be 'DMTF:CQL' for CQL queries, but may be 'WQL' or 'SMI-S V1.0'. WQL and SMI-S V1.0 are deprecated in favor of 'DMTF:CQL'.
ElementName	N	Optional	See the ElementName definition in section <i>Storage Management Technical Specification, Part 3 Common Profiles, 1.6.1 Rev 6</i> 50.6.28 CIM_IndicationFilter (pre-defined).

4.8.37 CIM_IndicationFilter (Fabric ComputerSystem Deletion)

Experimental. This is the 'pre-defined' CIM_IndicationFilter instance for the removal of a fabric computer system instance. This would represent the removal of a switch or platform computer system from the fabric. This is a special case of the CIM_IndicationFilter (StaticIndicationFilter) class as defined in the Indication Profile.

Created By: Static

Modified By: Static

Deleted By: Static

Requirement: Required if the Experimental Indication Profile is supported and the SNIA_IndicationConfigurationCapabilities.SupportedFeatures='3' (Predefined Filters).

Table 41 describes class CIM_IndicationFilter (Fabric ComputerSystem Deletion).

Table 41 - SMI Referenced Properties/Methods for CIM_IndicationFilter (Fabric ComputerSystem Deletion)

Properties	Flags	Requirement	Description & Notes
SystemCreationClassName		Mandatory	See the SystemCreationClassName definition in section <i>Storage Management Technical Specification, Part 3 Common Profiles, 1.6.1 Rev 6</i> 50.6.25 CIM_IndicationFilter (StaticIndicationFilter).
CreationClassName		Mandatory	See the CreationClassName definition in section <i>Storage Management Technical Specification, Part 3 Common Profiles, 1.6.1 Rev 6</i> 50.6.25 CIM_IndicationFilter (StaticIndicationFilter).
SystemName		Mandatory	See the SystemName definition in section <i>Storage Management Technical Specification, Part 3 Common Profiles, 1.6.1 Rev 6</i> 50.6.25 CIM_IndicationFilter (StaticIndicationFilter).
Name		Mandatory	This shall be 'SNIA:Fabric:ComputerSystemDeletion'.
SourceNamespace	N	Optional	Deprecated. See the SourceNamespace definition in section <i>Storage Management Technical Specification, Part 3 Common Profiles, 1.6.1 Rev 6</i> 50.6.28 CIM_IndicationFilter (pre-defined).
SourceNamespaces	N	Mandatory	Experimental. See the SourceNamespaces definition in section <i>Storage Management Technical Specification, Part 3 Common Profiles, 1.6.1 Rev 6</i> 50.6.25 CIM_IndicationFilter (StaticIndicationFilter).

Table 41 - SMI Referenced Properties/Methods for CIM_IndicationFilter (Fabric ComputerSystem Deletion)

Properties	Flags	Requirement	Description & Notes
Query		Mandatory	SELECT * FROM CIM_InstDeletion WHERE SourceInstance ISA CIM_ComputerSystem.
QueryLanguage		Mandatory	This should be 'DMTF:CQL' for CQL queries, but may be 'WQL' or 'SMI-S V1.0'. WQL and SMI-S V1.0 are deprecated in favor of 'DMTF:CQL'.
ElementName	N	Optional	See the ElementName definition in section <i>Storage Management Technical Specification, Part 3 Common Profiles, 1.6.1 Rev 6 50.6.28 CIM_IndicationFilter</i> (pre-defined).

4.8.38 CIM_IndicationFilter (Fabric ComputerSystem OperationalStatus)

Experimental. This is the 'pre-defined' CIM_IndicationFilter instance for the change of OperationalStatus of a fabric ComputerSystem instance. This would represent the status change to a switch or platform computer system in the fabric. This is a special case of the CIM_IndicationFilter (StaticIndicationFilter) class as defined in the Indication Profile.

Created By: Static

Modified By: Static

Deleted By: Static

Requirement: Required if the Experimental Indication Profile is supported and the SNIA_IndicationConfigurationCapabilities.SupportedFeatures='3' (Predefined Filters).

Table 42 describes class CIM_IndicationFilter (Fabric ComputerSystem OperationalStatus).

Table 42 - SMI Referenced Properties/Methods for CIM_IndicationFilter (Fabric ComputerSystem OperationalStatus)

Properties	Flags	Requirement	Description & Notes
SystemCreationClassName		Mandatory	See the SystemCreationClassName definition in section <i>Storage Management Technical Specification, Part 3 Common Profiles, 1.6.1 Rev 6 50.6.25 CIM_IndicationFilter</i> (StaticIndicationFilter).
CreationClassName		Mandatory	See the CreationClassName definition in section <i>Storage Management Technical Specification, Part 3 Common Profiles, 1.6.1 Rev 6 50.6.25 CIM_IndicationFilter</i> (StaticIndicationFilter).
SystemName		Mandatory	See the SystemName definition in section <i>Storage Management Technical Specification, Part 3 Common Profiles, 1.6.1 Rev 6 50.6.25 CIM_IndicationFilter</i> (StaticIndicationFilter).
Name		Mandatory	This shall be 'SNIA:Fabric:ComputerSystemOperationalStatus'.
SourceNamespace	N	Optional	Deprecated. See the SourceNamespace definition in section <i>Storage Management Technical Specification, Part 3 Common Profiles, 1.6.1 Rev 6 50.6.28 CIM_IndicationFilter</i> (pre-defined).
SourceNamespaces	N	Mandatory	Experimental. See the SourceNamespaces definition in section <i>Storage Management Technical Specification, Part 3 Common Profiles, 1.6.1 Rev 6 50.6.25 CIM_IndicationFilter</i> (StaticIndicationFilter).
Query		Mandatory	SELECT * FROM CIM_InstModification WHERE SourceInstance ISA CIM_ComputerSystem AND SourceInstance.CIM_ComputerSystem::OperationalStatus <> PreviousInstance.CIM_ComputerSystem::Operationalstatus.

Table 42 - SMI Referenced Properties/Methods for CIM_IndicationFilter (Fabric ComputerSystem OperationalStatus)

Properties	Flags	Requirement	Description & Notes
QueryLanguage		Mandatory	This shall be 'DMTF:CQL' for CQL queries.
ElementName	N	Optional	See the ElementName definition in section <i>Storage Management Technical Specification, Part 3 Common Profiles, 1.6.1 Rev 6 50.6.28</i> CIM_IndicationFilter (pre-defined).

4.8.39 CIM_IndicationFilter (Fabric FCPort Creation)

Experimental. This is the 'pre-defined' CIM_IndicationFilter instance for the addition of a new fabric FCPort instance. This would represent the addition of a switch or platform FCPort to the fabric. This is a special case of the CIM_IndicationFilter (StaticIndicationFilter) class as defined in the Indication Profile.

Created By: Static

Modified By: Static

Deleted By: Static

Requirement: Required if the Experimental Indication Profile is supported and the SNIA_IndicationConfigurationCapabilities.SupportedFeatures='3' (Predefined Filters).

Table 43 describes class CIM_IndicationFilter (Fabric FCPort Creation).

Table 43 - SMI Referenced Properties/Methods for CIM_IndicationFilter (Fabric FCPort Creation)

Properties	Flags	Requirement	Description & Notes
SystemCreationClassName		Mandatory	See the SystemCreationClassName definition in section <i>Storage Management Technical Specification, Part 3 Common Profiles, 1.6.1 Rev 6 50.6.25</i> CIM_IndicationFilter (StaticIndicationFilter).
CreationClassName		Mandatory	See the CreationClassName definition in section <i>Storage Management Technical Specification, Part 3 Common Profiles, 1.6.1 Rev 6 50.6.25</i> CIM_IndicationFilter (StaticIndicationFilter).
SystemName		Mandatory	See the SystemName definition in section <i>Storage Management Technical Specification, Part 3 Common Profiles, 1.6.1 Rev 6 50.6.25</i> CIM_IndicationFilter (StaticIndicationFilter).
Name		Mandatory	This shall be 'SNIA:Fabric:FCPortCreation'.
SourceNamespace	N	Optional	Deprecated. See the SourceNamespace definition in section <i>Storage Management Technical Specification, Part 3 Common Profiles, 1.6.1 Rev 6 50.6.28</i> CIM_IndicationFilter (pre-defined).
SourceNamespaces	N	Mandatory	Experimental. See the SourceNamespaces definition in section <i>Storage Management Technical Specification, Part 3 Common Profiles, 1.6.1 Rev 6 50.6.25</i> CIM_IndicationFilter (StaticIndicationFilter).
Query		Mandatory	SELECT * FROM CIM_InstCreation WHERE SourceInstance ISA CIM_FCPort.
QueryLanguage		Mandatory	This should be 'DMTF:CQL' for CQL queries, but may be 'WQL' or 'SMI-S V1.0'. WQL and SMI-S V1.0 are deprecated in favor of 'DMTF:CQL'.
ElementName	N	Optional	See the ElementName definition in section <i>Storage Management Technical Specification, Part 3 Common Profiles, 1.6.1 Rev 6 50.6.28</i> CIM_IndicationFilter (pre-defined).

4.8.40 CIM_IndicationFilter (Fabric FCPort Deletion)

Experimental. This is the 'pre-defined' CIM_IndicationFilter instance for the removal of a fabric FCPort instance. This would represent the removal of a switch or platform FCPort from the fabric. This is a special case of the CIM_IndicationFilter (StaticIndicationFilter) class as defined in the Indication Profile.

Created By: Static

Modified By: Static

Deleted By: Static

Requirement: Required if the Experimental Indication Profile is supported and the SNIA_IndicationConfigurationCapabilities.SupportedFeatures='3' (Predefined Filters).

Table 44 describes class CIM_IndicationFilter (Fabric FCPort Deletion).

Table 44 - SMI Referenced Properties/Methods for CIM_IndicationFilter (Fabric FCPort Deletion)

Properties	Flags	Requirement	Description & Notes
SystemCreationClassName		Mandatory	See the SystemCreationClassName definition in section <i>Storage Management Technical Specification, Part 3 Common Profiles, 1.6.1 Rev 6 50.6.25 CIM_IndicationFilter (StaticIndicationFilter)</i> .
CreationClassName		Mandatory	See the CreationClassName definition in section <i>Storage Management Technical Specification, Part 3 Common Profiles, 1.6.1 Rev 6 50.6.25 CIM_IndicationFilter (StaticIndicationFilter)</i> .
SystemName		Mandatory	See the SystemName definition in section <i>Storage Management Technical Specification, Part 3 Common Profiles, 1.6.1 Rev 6 50.6.25 CIM_IndicationFilter (StaticIndicationFilter)</i> .
Name		Mandatory	This shall be 'SNIA:Fabric:FCPortDeletion'.
SourceNamespace	N	Optional	Deprecated. See the SourceNamespace definition in section <i>Storage Management Technical Specification, Part 3 Common Profiles, 1.6.1 Rev 6 50.6.28 CIM_IndicationFilter (pre-defined)</i> .
SourceNamespaces	N	Mandatory	Experimental. See the SourceNamespaces definition in section <i>Storage Management Technical Specification, Part 3 Common Profiles, 1.6.1 Rev 6 50.6.25 CIM_IndicationFilter (StaticIndicationFilter)</i> .
Query		Mandatory	SELECT * FROM CIM_InstDeletion WHERE SourceInstance ISA CIM_FCPort.
QueryLanguage		Mandatory	This should be 'DMTF:CQL' for CQL queries, but may be 'WQL' or 'SMI-S V1.0'. WQL and SMI-S V1.0 are deprecated in favor of 'DMTF:CQL'.
ElementName	N	Optional	See the ElementName definition in section <i>Storage Management Technical Specification, Part 3 Common Profiles, 1.6.1 Rev 6 50.6.28 CIM_IndicationFilter (pre-defined)</i> .

4.8.41 CIM_IndicationFilter (Fabric FCPort OperationalStatus)

Experimental. This is the 'pre-defined' CIM_IndicationFilter instance for the change of OperationalStatus of a fabric FCPort instance. This would represent the status change to a switch or platform FCPort in the fabric. This is a special case of the CIM_IndicationFilter (StaticIndicationFilter) class as defined in the Indication Profile.

Created By: Static

Modified By: Static

Deleted By: Static

Requirement: Required if the Experimental Indication Profile is supported and the SNIA_IndicationConfigurationCapabilities.SupportedFeatures='3' (Predefined Filters).

Table 45 describes class CIM_IndicationFilter (Fabric FCPort OperationalStatus).

Table 45 - SMI Referenced Properties/Methods for CIM_IndicationFilter (Fabric FCPort OperationalStatus)

Properties	Flags	Requirement	Description & Notes
SystemCreationClassName		Mandatory	See the SystemCreationClassName definition in section <i>Storage Management Technical Specification, Part 3 Common Profiles, 1.6.1 Rev 6 50.6.25</i> CIM_IndicationFilter (StaticIndicationFilter).
CreationClassName		Mandatory	See the CreationClassName definition in section <i>Storage Management Technical Specification, Part 3 Common Profiles, 1.6.1 Rev 6 50.6.25</i> CIM_IndicationFilter (StaticIndicationFilter).
SystemName		Mandatory	See the SystemName definition in section <i>Storage Management Technical Specification, Part 3 Common Profiles, 1.6.1 Rev 6 50.6.25</i> CIM_IndicationFilter (StaticIndicationFilter).
Name		Mandatory	This shall be 'SNIA:Fabric:FCPortOperationalStatus'.
SourceNamespace	N	Optional	Deprecated. See the SourceNamespace definition in section <i>Storage Management Technical Specification, Part 3 Common Profiles, 1.6.1 Rev 6 50.6.28</i> CIM_IndicationFilter (pre-defined).
SourceNamespaces	N	Mandatory	Experimental. See the SourceNamespaces definition in section <i>Storage Management Technical Specification, Part 3 Common Profiles, 1.6.1 Rev 6 50.6.25</i> CIM_IndicationFilter (StaticIndicationFilter).
Query		Mandatory	SELECT * FROM CIM_InstModification WHERE SourceInstance ISA CIM_FCPort AND SourceInstance.CIM_FCPort::OperationalStatus <-> PreviousInstance.CIM_FCPort::OperationalStatus.
QueryLanguage		Mandatory	This shall be 'DMTF:CQL' for CQL queries.
ElementName	N	Optional	See the ElementName definition in section <i>Storage Management Technical Specification, Part 3 Common Profiles, 1.6.1 Rev 6 50.6.28</i> CIM_IndicationFilter (pre-defined).

4.8.42 CIM_IndicationFilter (Fabric Fabric Added or Removed)

Experimental. This is the WQL 'pre-defined' CIM_IndicationFilter instance for addition or removal of a fabric. This would represent the addition or removal of a fabric. This is a special case of the CIM_IndicationFilter (StaticIndicationFilter) class as defined in the Indication Profile.

Created By: Static

Modified By: Static

Deleted By: Static

Requirement: Required if the Experimental Indication Profile is supported and the SNIA_IndicationConfigurationCapabilities.SupportedFeatures='3' (Predefined Filters).

Table 46 describes class CIM_IndicationFilter (Fabric Fabric Added or Removed).

Table 46 - SMI Referenced Properties/Methods for CIM_IndicationFilter (Fabric Fabric Added or Removed)

Properties	Flags	Requirement	Description & Notes
SystemCreationClassName		Mandatory	See the SystemCreationClassName definition in section <i>Storage Management Technical Specification, Part 3 Common Profiles, 1.6.1 Rev 6 50.6.25</i> CIM_IndicationFilter (StaticIndicationFilter).
CreationClassName		Mandatory	See the CreationClassName definition in section <i>Storage Management Technical Specification, Part 3 Common Profiles, 1.6.1 Rev 6 50.6.25</i> CIM_IndicationFilter (StaticIndicationFilter).
SystemName		Mandatory	See the SystemName definition in section <i>Storage Management Technical Specification, Part 3 Common Profiles, 1.6.1 Rev 6 50.6.25</i> CIM_IndicationFilter (StaticIndicationFilter).
Name		Mandatory	This shall be 'SNIA:Fabric:FabricAddedOrRemoved'.
SourceNamespace	N	Optional	Deprecated. See the SourceNamespace definition in section <i>Storage Management Technical Specification, Part 3 Common Profiles, 1.6.1 Rev 6 50.6.28</i> CIM_IndicationFilter (pre-defined).
SourceNamespaces	N	Mandatory	Experimental. See the SourceNamespaces definition in section <i>Storage Management Technical Specification, Part 3 Common Profiles, 1.6.1 Rev 6 50.6.25</i> CIM_IndicationFilter (StaticIndicationFilter).
Query		Mandatory	SELECT * FROM CIM_AlertIndication WHERE OwningEntity='SNIA' and MessageID='FC8'.
QueryLanguage		Mandatory	This shall be 'DMTF:CQL' for CQL queries.
ElementName	N	Optional	See the ElementName definition in section <i>Storage Management Technical Specification, Part 3 Common Profiles, 1.6.1 Rev 6 50.6.28</i> CIM_IndicationFilter (pre-defined).

4.8.43 CIM_IndicationFilter (Fabric Fabric Merge or Segmentation)

Experimental. This is the WQL 'pre-defined' CIM_IndicationFilter instance for the merge of fabrics or segmentation of a fabric. This would represent the merge of fabrics or segmentation of a fabric. This is a special case of the CIM_IndicationFilter (StaticIndicationFilter) class as defined in the Indication Profile.

Created By: Static

Modified By: Static

Deleted By: Static

Requirement: Required if the Experimental Indication Profile is supported and the SNIA_IndicationConfigurationCapabilities.SupportedFeatures='3' (Predefined Filters).

Table 47 describes class CIM_IndicationFilter (Fabric Fabric Merge or Segmentation).

Table 47 - SMI Referenced Properties/Methods for CIM_IndicationFilter (Fabric Fabric Merge or Segmentation)

Properties	Flags	Requirement	Description & Notes
SystemCreationClassName		Mandatory	See the SystemCreationClassName definition in section <i>Storage Management Technical Specification, Part 3 Common Profiles, 1.6.1 Rev 6 50.6.25</i> CIM_IndicationFilter (StaticIndicationFilter).
CreationClassName		Mandatory	See the CreationClassName definition in section <i>Storage Management Technical Specification, Part 3 Common Profiles, 1.6.1 Rev 6 50.6.25</i> CIM_IndicationFilter (StaticIndicationFilter).

Table 47 - SMI Referenced Properties/Methods for CIM_IndicationFilter (Fabric Fabric Merge or Segmentation)

Properties	Flags	Requirement	Description & Notes
SystemName		Mandatory	See the SystemName definition in section <i>Storage Management Technical Specification, Part 3 Common Profiles, 1.6.1 Rev 6 50.6.25</i> CIM_IndicationFilter (StaticIndicationFilter).
Name		Mandatory	This shall be 'SNIA:Fabric:FabricMergeOrSegmentation'.
SourceNamespace	N	Optional	Deprecated. See the SourceNamespace definition in section <i>Storage Management Technical Specification, Part 3 Common Profiles, 1.6.1 Rev 6 50.6.28</i> CIM_IndicationFilter (pre-defined).
SourceNamespaces	N	Mandatory	Experimental. See the SourceNamespaces definition in section <i>Storage Management Technical Specification, Part 3 Common Profiles, 1.6.1 Rev 6 50.6.25</i> CIM_IndicationFilter (StaticIndicationFilter).
Query		Mandatory	SELECT * FROM CIM_AlertIndication WHERE OwningEntity='SNIA' and MessageID='FC6'.
QueryLanguage		Mandatory	This shall be 'DMTF:CQL' for CQL queries.
ElementName	N	Optional	See the ElementName definition in section <i>Storage Management Technical Specification, Part 3 Common Profiles, 1.6.1 Rev 6 50.6.28</i> CIM_IndicationFilter (pre-defined).

4.8.44 CIM_IndicationFilter (Fabric Switch Added or Removed)

Experimental. This is the WQL 'pre-defined' CIM_IndicationFilter instance for the addition or removal of a switch to a fabric. This would represent the addition or removal of a switch to a fabric. This is a special case of the CIM_IndicationFilter (StaticIndicationFilter) class as defined in the Indication Profile.

Created By: Static

Modified By: Static

Deleted By: Static

Requirement: Required if the Experimental Indication Profile is supported and the SNIA_IndicationConfigurationCapabilities.SupportedFeatures='3' (Predefined Filters).

Table 48 describes class CIM_IndicationFilter (Fabric Switch Added or Removed).

Table 48 - SMI Referenced Properties/Methods for CIM_IndicationFilter (Fabric Switch Added or Removed)

Properties	Flags	Requirement	Description & Notes
SystemCreationClassName		Mandatory	See the SystemCreationClassName definition in section <i>Storage Management Technical Specification, Part 3 Common Profiles, 1.6.1 Rev 6 50.6.25</i> CIM_IndicationFilter (StaticIndicationFilter).
CreationClassName		Mandatory	See the CreationClassName definition in section <i>Storage Management Technical Specification, Part 3 Common Profiles, 1.6.1 Rev 6 50.6.25</i> CIM_IndicationFilter (StaticIndicationFilter).
SystemName		Mandatory	See the SystemName definition in section <i>Storage Management Technical Specification, Part 3 Common Profiles, 1.6.1 Rev 6 50.6.25</i> CIM_IndicationFilter (StaticIndicationFilter).
Name		Mandatory	This shall be 'SNIA:Fabric:SwitchAddedOrRemoved'.
SourceNamespace	N	Optional	Deprecated. See the SourceNamespace definition in section <i>Storage Management Technical Specification, Part 3 Common Profiles, 1.6.1 Rev 6 50.6.28</i> CIM_IndicationFilter (pre-defined).

Table 48 - SMI Referenced Properties/Methods for CIM_IndicationFilter (Fabric Switch Added or Removed)

Properties	Flags	Requirement	Description & Notes
SourceNamespaces	N	Mandatory	Experimental. See the SourceNamespaces definition in section <i>Storage Management Technical Specification, Part 3 Common Profiles, 1.6.1 Rev 6 50.6.25</i> CIM_IndicationFilter (StaticIndicationFilter).
Query		Mandatory	SELECT * FROM CIM_AlertIndication WHERE OwningEntity='SNIA' and MessageID='FC7'.
QueryLanguage		Mandatory	This shall be 'DMTF:CQL' for CQL queries.
ElementName	N	Optional	See the ElementName definition in section <i>Storage Management Technical Specification, Part 3 Common Profiles, 1.6.1 Rev 6 50.6.28</i> CIM_IndicationFilter (pre-defined).

4.8.45 CIM_IndicationFilter (Fabric Switch Status Changed)

Experimental. This is the WQL 'pre-defined' CIM_IndicationFilter instance for the change of OperationalStatus of a switch in a fabric. This would represent the change of OperationalStatus of a switch in the fabric. This is a special case of the CIM_IndicationFilter (StaticIndicationFilter) class as defined in the Indication Profile.

Created By: Static

Modified By: Static

Deleted By: Static

Requirement: Required if the Experimental Indication Profile is supported and the SNIA_IndicationConfigurationCapabilities.SupportedFeatures='3' (Predefined Filters).

Table 49 describes class CIM_IndicationFilter (Fabric Switch Status Changed).

Table 49 - SMI Referenced Properties/Methods for CIM_IndicationFilter (Fabric Switch Status Changed)

Properties	Flags	Requirement	Description & Notes
SystemCreationClassName		Mandatory	See the SystemCreationClassName definition in section <i>Storage Management Technical Specification, Part 3 Common Profiles, 1.6.1 Rev 6 50.6.25</i> CIM_IndicationFilter (StaticIndicationFilter).
CreationClassName		Mandatory	See the CreationClassName definition in section <i>Storage Management Technical Specification, Part 3 Common Profiles, 1.6.1 Rev 6 50.6.25</i> CIM_IndicationFilter (StaticIndicationFilter).
SystemName		Mandatory	See the SystemName definition in section <i>Storage Management Technical Specification, Part 3 Common Profiles, 1.6.1 Rev 6 50.6.25</i> CIM_IndicationFilter (StaticIndicationFilter).
Name		Mandatory	This shall be 'SNIA:Fabric:SwitchStatusChanged'.
SourceNamespace	N	Optional	Deprecated. See the SourceNamespace definition in section <i>Storage Management Technical Specification, Part 3 Common Profiles, 1.6.1 Rev 6 50.6.28</i> CIM_IndicationFilter (pre-defined).
SourceNamespaces	N	Mandatory	Experimental. See the SourceNamespaces definition in section <i>Storage Management Technical Specification, Part 3 Common Profiles, 1.6.1 Rev 6 50.6.25</i> CIM_IndicationFilter (StaticIndicationFilter).
Query		Mandatory	SELECT * FROM CIM_AlertIndication WHERE OwningEntity='SNIA' and MessageID='FC5'.

Table 49 - SMI Referenced Properties/Methods for CIM_IndicationFilter (Fabric Switch Status Changed)

Properties	Flags	Requirement	Description & Notes
QueryLanguage		Mandatory	This shall be 'DMTF:CQL' for CQL queries.
ElementName	N	Optional	See the ElementName definition in section <i>Storage Management Technical Specification, Part 3 Common Profiles, 1.6.1 Rev 6 50.6.28 CIM_IndicationFilter</i> (pre-defined).

4.8.46 CIM_IndicationFilter (Fabric Zone Database Changed)

Experimental. This is the 'pre-defined' CIM_IndicationFilter instance for zone database changes in a fabric. This would represent changes to zones, zonesets and zone aliases in the fabric. This is a special case of the CIM_IndicationFilter (StaticIndicationFilter) class as defined in the Indication Profile.

Created By: Static

Modified By: Static

Deleted By: Static

Requirement: Required if the Experimental Indication Profile is supported and the SNIA_IndicationConfigurationCapabilities.SupportedFeatures='3' (Predefined Filters).

Table 50 describes class CIM_IndicationFilter (Fabric Zone Database Changed).

Table 50 - SMI Referenced Properties/Methods for CIM_IndicationFilter (Fabric Zone Database Changed)

Properties	Flags	Requirement	Description & Notes
SystemCreationClassName		Mandatory	See the SystemCreationClassName definition in section <i>Storage Management Technical Specification, Part 3 Common Profiles, 1.6.1 Rev 6 50.6.25 CIM_IndicationFilter</i> (StaticIndicationFilter).
CreationClassName		Mandatory	See the CreationClassName definition in section <i>Storage Management Technical Specification, Part 3 Common Profiles, 1.6.1 Rev 6 50.6.25 CIM_IndicationFilter</i> (StaticIndicationFilter).
SystemName		Mandatory	See the SystemName definition in section <i>Storage Management Technical Specification, Part 3 Common Profiles, 1.6.1 Rev 6 50.6.25 CIM_IndicationFilter</i> (StaticIndicationFilter).
Name		Mandatory	This shall be 'SNIA:Fabric:ZoneDatabaseChange'.
SourceNamespace	N	Optional	Deprecated. See the SourceNamespace definition in section <i>Storage Management Technical Specification, Part 3 Common Profiles, 1.6.1 Rev 6 50.6.28 CIM_IndicationFilter</i> (pre-defined).
SourceNamespaces	N	Mandatory	Experimental. See the SourceNamespaces definition in section <i>Storage Management Technical Specification, Part 3 Common Profiles, 1.6.1 Rev 6 50.6.25 CIM_IndicationFilter</i> (StaticIndicationFilter).
Query		Mandatory	SELECT * FROM CIM_AlertIndication WHERE OwningEntity='SNIA' and MessageID='FC1'.
QueryLanguage		Mandatory	This shall be 'DMTF:CQL' for CQL queries.
ElementName	N	Optional	See the ElementName definition in section <i>Storage Management Technical Specification, Part 3 Common Profiles, 1.6.1 Rev 6 50.6.28 CIM_IndicationFilter</i> (pre-defined).

4.8.47 CIM_IndicationFilter (Fabric ZoneSet Activated)

Experimental. This is the 'pre-defined' CIM_IndicationFilter instance for activation of a ZoneSet in a fabric. This would represent activation of a ZoneSet in the fabric. This is a special case of the CIM_IndicationFilter (StaticIndicationFilter) class as defined in the Indication Profile.

Created By: Static

Modified By: Static

Deleted By: Static

Requirement: Required if the Experimental Indication Profile is supported and the SNIA_IndicationConfigurationCapabilities.SupportedFeatures='3' (Predefined Filters).

Table 51 describes class CIM_IndicationFilter (Fabric ZoneSet Activated).

Table 51 - SMI Referenced Properties/Methods for CIM_IndicationFilter (Fabric ZoneSet Activated)

Properties	Flags	Requirement	Description & Notes
SystemCreationClassName		Mandatory	See the SystemCreationClassName definition in section <i>Storage Management Technical Specification, Part 3 Common Profiles, 1.6.1 Rev 6 50.6.25</i> CIM_IndicationFilter (StaticIndicationFilter).
CreationClassName		Mandatory	See the CreationClassName definition in section <i>Storage Management Technical Specification, Part 3 Common Profiles, 1.6.1 Rev 6 50.6.25</i> CIM_IndicationFilter (StaticIndicationFilter).
SystemName		Mandatory	See the SystemName definition in section <i>Storage Management Technical Specification, Part 3 Common Profiles, 1.6.1 Rev 6 50.6.25</i> CIM_IndicationFilter (StaticIndicationFilter).
Name		Mandatory	This shall be 'SNIA:Fabric:ZoneSetActivated'.
SourceNamespace	N	Optional	Deprecated. See the SourceNamespace definition in section <i>Storage Management Technical Specification, Part 3 Common Profiles, 1.6.1 Rev 6 50.6.28</i> CIM_IndicationFilter (pre-defined).
SourceNamespaces	N	Mandatory	Experimental. See the SourceNamespaces definition in section <i>Storage Management Technical Specification, Part 3 Common Profiles, 1.6.1 Rev 6 50.6.25</i> CIM_IndicationFilter (StaticIndicationFilter).
Query		Mandatory	SELECT * FROM CIM_AlertIndication WHERE OwningEntity='SNIA' and MessageID='FC2'.
QueryLanguage		Mandatory	This shall be 'DMTF:CQL' for CQL queries.
ElementName	N	Optional	See the ElementName definition in section <i>Storage Management Technical Specification, Part 3 Common Profiles, 1.6.1 Rev 6 50.6.28</i> CIM_IndicationFilter (pre-defined).

4.8.48 CIM_IndicationFilter (WQL Fabric ComputerSystem OperationalStatus)

Deprecated. This is the WQL 'pre-defined' CIM_IndicationFilter instance for OperationalStatus changes of a fabric (Switch or Platform) computer system instance. This would represent the OperationalStatus changes of a switch or platform computer system in the fabric. This is a special case of the CIM_IndicationFilter (StaticIndicationFilter) class as defined in the Indication Profile.

Created By: Static

Modified By: Static

Deleted By: Static

Requirement: Required if the Experimental Indication Profile is supported and the SNIA_IndicationConfigurationCapabilities.SupportedFeatures='3' (Predefined Filters).

Table 52 describes class CIM_IndicationFilter (WQL Fabric ComputerSystem OperationalStatus).

Table 52 - SMI Referenced Properties/Methods for CIM_IndicationFilter (WQL Fabric ComputerSystem OperationalStatus)

Properties	Flags	Requirement	Description & Notes
SystemCreationClassName		Mandatory	See the SystemCreationClassName definition in section <i>Storage Management Technical Specification, Part 3 Common Profiles, 1.6.1 Rev 6 50.6.25 CIM_IndicationFilter (StaticIndicationFilter)</i> .
CreationClassName		Mandatory	See the CreationClassName definition in section <i>Storage Management Technical Specification, Part 3 Common Profiles, 1.6.1 Rev 6 50.6.25 CIM_IndicationFilter (StaticIndicationFilter)</i> .
SystemName		Mandatory	See the SystemName definition in section <i>Storage Management Technical Specification, Part 3 Common Profiles, 1.6.1 Rev 6 50.6.25 CIM_IndicationFilter (StaticIndicationFilter)</i> .
Name		Mandatory	This shall be 'SNIA:Fabric:ComputerSystemOperationalStatusWQL'.
SourceNamespace	N	Optional	Deprecated. See the SourceNamespace definition in section <i>Storage Management Technical Specification, Part 3 Common Profiles, 1.6.1 Rev 6 50.6.28 CIM_IndicationFilter (pre-defined)</i> .
SourceNamespaces	N	Mandatory	Experimental. See the SourceNamespaces definition in section <i>Storage Management Technical Specification, Part 3 Common Profiles, 1.6.1 Rev 6 50.6.25 CIM_IndicationFilter (StaticIndicationFilter)</i> .
Query		Mandatory	SELECT * FROM CIM_InstModification WHERE SourceInstance ISA CIM_ComputerSystem AND SourceInstance.Operationalstatus <> PreviousInstance.OperationalStatus.
QueryLanguage		Mandatory	This shall be 'WQL' or 'SMI-S V1.0'.
ElementName	N	Optional	See the ElementName definition in section <i>Storage Management Technical Specification, Part 3 Common Profiles, 1.6.1 Rev 6 50.6.28 CIM_IndicationFilter (pre-defined)</i> .

4.8.49 CIM_IndicationFilter (WQL Fabric FCPort OperationalStatus)

Deprecated. This is the WQL 'pre-defined' CIM_IndicationFilter instance for OperationalStatus changes of a fabric FCPort instance. This would represent the OperationalStatus changes of a switch or platform FCPort in the fabric. This is a special case of the CIM_IndicationFilter (StaticIndicationFilter) class as defined in the Indication Profile.

Created By: Static

Modified By: Static

Deleted By: Static

Requirement: Required if the Experimental Indication Profile is supported and the SNIA_IndicationConfigurationCapabilities.SupportedFeatures='3' (Predefined Filters).

Table 53 describes class CIM_IndicationFilter (WQL Fabric FCPort OperationalStatus).

Table 53 - SMI Referenced Properties/Methods for CIM_IndicationFilter (WQL Fabric FCPort Operational-Status)

Properties	Flags	Requirement	Description & Notes
SystemCreationClassName		Mandatory	See the SystemCreationClassName definition in section <i>Storage Management Technical Specification, Part 3 Common Profiles, 1.6.1 Rev 6 50.6.25</i> CIM_IndicationFilter (StaticIndicationFilter).
CreationClassName		Mandatory	See the CreationClassName definition in section <i>Storage Management Technical Specification, Part 3 Common Profiles, 1.6.1 Rev 6 50.6.25</i> CIM_IndicationFilter (StaticIndicationFilter).
SystemName		Mandatory	See the SystemName definition in section <i>Storage Management Technical Specification, Part 3 Common Profiles, 1.6.1 Rev 6 50.6.25</i> CIM_IndicationFilter (StaticIndicationFilter).
Name		Mandatory	This shall be 'SNIA:Fabric:FCPortOperationalStatusWQL'.
SourceNamespace	N	Optional	Deprecated. See the SourceNamespace definition in section <i>Storage Management Technical Specification, Part 3 Common Profiles, 1.6.1 Rev 6 50.6.28</i> CIM_IndicationFilter (pre-defined).
SourceNamespaces	N	Mandatory	Experimental. See the SourceNamespaces definition in section <i>Storage Management Technical Specification, Part 3 Common Profiles, 1.6.1 Rev 6 50.6.25</i> CIM_IndicationFilter (StaticIndicationFilter).
Query		Mandatory	SELECT * FROM CIM_InstModification WHERE SourceInstance ISA CIM_FCPort AND SourceInstance.OperationalStatus <> PreviousInstance.OperationalStatus.
QueryLanguage		Mandatory	This shall be 'WQL' or 'SMI-S V1.0'.
ElementName	N	Optional	See the ElementName definition in section <i>Storage Management Technical Specification, Part 3 Common Profiles, 1.6.1 Rev 6 50.6.28</i> CIM_IndicationFilter (pre-defined).

4.8.50 CIM_LogicalPortGroup

Represents the Fibre Channel Node. Associated to the host system by the HostedCollection Association. The hosting System is either a ComputerSystem representing the Platform or the AdminDomain representing the fabric in the case for those systems not registered in the Platform Database or discovered through FDMI (but available through the Name Server/Management Server).

Created By: Static

Modified By: Static

Deleted By: Static

Requirement: Mandatory

Table 54 describes class CIM_LogicalPortGroup.

Table 54 - SMI Referenced Properties/Methods for CIM_LogicalPortGroup

Properties	Flags	Requirement	Description & Notes
InstanceID		Mandatory	Opaque.
Name	CD	Mandatory	Fibre Channel Node WWN.

Table 54 - SMI Referenced Properties/Methods for CIM_LogicalPortGroup

Properties	Flags	Requirement	Description & Notes
NameFormat		Mandatory	Shall be 'WWN'.
ElementName	N	Mandatory	Node Symbolic Name if available. Otherwise NULL. If the underlying implementation includes characters that are illegal in CIM strings, then truncate before the first of those characters.

4.8.51 CIM_MemberOfCollection (ConnectivityCollection to ProtocolEndpoint)

Created By: Static
 Modified By: Static
 Deleted By: Static
 Requirement: Mandatory

Table 55 describes class CIM_MemberOfCollection (ConnectivityCollection to ProtocolEndpoint).

Table 55 - SMI Referenced Properties/Methods for CIM_MemberOfCollection (ConnectivityCollection to ProtocolEndpoint)

Properties	Flags	Requirement	Description & Notes
Collection		Mandatory	Reference to the ConnectivityCollection.
Member		Mandatory	Reference to the ProtocolEndpoint.

4.8.52 CIM_MemberOfCollection (Fabric ProfileSpecificAlertIndicationFilterCollection to Fabric Filters)

Experimental. This associates the Fabric ProfileSpecificAlertIndicationFilterCollection to the Filters defined by the Fabric Profile.
 Requirement: Optional

Table 56 describes class CIM_MemberOfCollection (Fabric ProfileSpecificAlertIndicationFilterCollection to Fabric Filters).

Table 56 - SMI Referenced Properties/Methods for CIM_MemberOfCollection (Fabric ProfileSpecificAlertIndicationFilterCollection to Fabric Filters)

Properties	Flags	Requirement	Description & Notes
Collection		Mandatory	Reference to the Fabric ProfileSpecificAlertIndicationFilterCollection.
Member		Mandatory	Reference to the IndicationFilters defined by the Fabric Profile.

4.8.53 CIM_MemberOfCollection (Fabric ProfileSpecificLifecycleIndicationFilterCollection to Fabric Filters)

Experimental. This associates the Fabric ProfileSpecificLifecycleIndicationFilterCollection to the Filters defined by the Fabric Profile.
 Requirement: Optional

Table 57 describes class CIM_MemberOfCollection (Fabric ProfileSpecificLifecycleIndicationFilterCollection to Fabric Filters).

Table 57 - SMI Referenced Properties/Methods for CIM_MemberOfCollection (Fabric ProfileSpecificLifecycleIndicationFilterCollection to Fabric Filters)

Properties	Flags	Requirement	Description & Notes
Collection		Mandatory	Reference to the Fabric ProfileSpecificLifecycleIndicationFilterCollection.
Member		Mandatory	Reference to the IndicationFilters defined by the Fabric Profile.

4.8.54 CIM_MemberOfCollection (LogicalPortGroup to FCPort)

Created By: Static
 Modified By: Static
 Deleted By: Static
 Requirement: Mandatory

Table 58 describes class CIM_MemberOfCollection (LogicalPortGroup to FCPort).

Table 58 - SMI Referenced Properties/Methods for CIM_MemberOfCollection (LogicalPortGroup to FCPort)

Properties	Flags	Requirement	Description & Notes
Collection		Mandatory	Reference to the LogicalPortGroup.
Member		Mandatory	Reference to the Non-Switch (Host or Storage) FCPort.

4.8.55 CIM_MemberOfCollection (Predefined Filter Collection to Fabric Filters)

Experimental. This associates the Fabric predefined FilterCollection to the predefined Filters supported by the Fabric.

Requirement: Required if the Experimental Indication Profile is supported and the SNIA_IndicationConfigurationCapabilities.SupportedFeatures='5' (Predefined Filter Collections).

Table 59 describes class CIM_MemberOfCollection (Predefined Filter Collection to Fabric Filters).

Table 59 - SMI Referenced Properties/Methods for CIM_MemberOfCollection (Predefined Filter Collection to Fabric Filters)

Properties	Flags	Requirement	Description & Notes
Collection		Mandatory	Reference to the Fabric predefined FilterCollection.
Member		Mandatory	Reference to the predefined IndicationFilters of the Fabric.

4.8.56 CIM_MemberOfCollection (ZoneSet to Zone)

Created By: Static
 Modified By: Static
 Deleted By: Static
 Requirement: Mandatory

Table 60 describes class CIM_MemberOfCollection (ZoneSet to Zone).

Table 60 - SMI Referenced Properties/Methods for CIM_MemberOfCollection (ZoneSet to Zone)

Properties	Flags	Requirement	Description & Notes
Collection		Mandatory	Reference to the ZoneSet.
Member		Mandatory	Reference to the Zone.

4.8.57 CIM_ProtocolEndpoint

The endpoint of a link (ActiveConnection). ProtocolEndpoint shall be implemented when an ActiveConnection exists. It may be implemented if no ActiveConnections exist.

Created By: Static

Modified By: Static

Deleted By: Static

Requirement: Mandatory

Table 61 describes class CIM_ProtocolEndpoint.

Table 61 - SMI Referenced Properties/Methods for CIM_ProtocolEndpoint

Properties	Flags	Requirement	Description & Notes
SystemCreationClassName		Mandatory	The scoping System's CreationClassName.
SystemName		Mandatory	The scoping System's Name.
CreationClassName		Mandatory	Name of Class.
Name	CD	Mandatory	The Fibre Channel Port WWN.
NameFormat		Mandatory	'WWN'.
ProtocollFType		Mandatory	Shall be 56(Fibre channel).

4.8.58 CIM_SystemDevice (Non-Switch FCPort to Fabric)

Associates non-Switch FCPorts to the System (Fabric).

Created By: Static

Modified By: Static

Deleted By: Static

Requirement: Optional

Table 62 describes class CIM_SystemDevice (Non-Switch FCPort to Fabric).

Table 62 - SMI Referenced Properties/Methods for CIM_SystemDevice (Non-Switch FCPort to Fabric)

Properties	Flags	Requirement	Description & Notes
PartComponent		Mandatory	The reference to a Host or Storage FCPort.
GroupComponent		Mandatory	The reference to the Fabric (OtherIdentifyingInfo contains 'Fabric' with a corresponding 'SNIA:DetailedType' in IdentifyingDescriptions).

4.8.59 CIM_SystemDevice (Non-Switch FCPort to Platform)

Associates non-switch FCPorts to the Platform ComputerSystem.

Created By: Static

Modified By: Static

Deleted By: Static

Requirement: Optional

Table 63 describes class CIM_SystemDevice (Non-Switch FCPort to Platform).

Table 63 - SMI Referenced Properties/Methods for CIM_SystemDevice (Non-Switch FCPort to Platform)

Properties	Flags	Requirement	Description & Notes
PartComponent		Mandatory	The reference to a Host or Storage FcPort.
GroupComponent		Mandatory	The reference to the Platform (Storage or Host) System.

4.8.60 CIM_SystemDevice (Switch FCPort to Switch)

Associates the Switch FCPort to the ComputerSystem (Switch).

Created By: Static

Modified By: Static

Deleted By: Static

Requirement: Mandatory

Table 64 describes class CIM_SystemDevice (Switch FCPort to Switch).

Table 64 - SMI Referenced Properties/Methods for CIM_SystemDevice (Switch FCPort to Switch)

Properties	Flags	Requirement	Description & Notes
PartComponent		Mandatory	The reference to the switch FCPort.
GroupComponent		Mandatory	The reference to the Switch ComputerSystem.

4.8.61 CIM_Zone (Active)

The active Zones being enforced by the Fabric.

Created By: Extrinsic: ActivateZoneSet

Modified By: Static

Deleted By: Static

Requirement: Mandatory

Table 65 describes class CIM_Zone (Active).

Table 65 - SMI Referenced Properties/Methods for CIM_Zone (Active)

Properties	Flags	Requirement	Description & Notes
InstanceID		Mandatory	Opaque.
ElementName		Mandatory	The Zone Name.

Table 65 - SMI Referenced Properties/Methods for CIM_Zone (Active)

Properties	Flags	Requirement	Description & Notes
ZoneType		Mandatory	The Zone Type.
Active		Mandatory	Shall be TRUE. Indicates that this ZoneSet is active.

4.8.62 CIM_Zone (Inactive)

The inactive Zones being enforced by the Fabric.

Created By: Extrinsic: CreateZone

Modified By: Static

Deleted By: Static

Requirement: Mandatory

Table 66 describes class CIM_Zone (Inactive).

Table 66 - SMI Referenced Properties/Methods for CIM_Zone (Inactive)

Properties	Flags	Requirement	Description & Notes
InstanceID		Mandatory	Opaque.
ElementName		Mandatory	The Zone Name.
ZoneType		Mandatory	The Zone Type.
Active		Mandatory	Shall be FALSE. Indicates that this ZoneSet is inactive.

4.8.63 CIM_ZoneCapabilities

The Zoning Capabilities of the associated Fabric (or Switch).

ZoneCapabilities exposes the capabilities of the AdminDomain representing the Fabric for active zoning and the capabilities of the ComputerSystem representing the Switch or AdminDomain representing the Fabric for Zone Set Database.

If a ZoneCapability property is not applicable or does not explicitly exists (e.g. the capability is limited only by a memory size), the property is NULL.

Created By: Static

Modified By: Static

Deleted By: Static

Requirement: Mandatory

Table 67 describes class CIM_ZoneCapabilities.

Table 67 - SMI Referenced Properties/Methods for CIM_ZoneCapabilities

Properties	Flags	Requirement	Description & Notes
InstanceID		Mandatory	Opaque.
MaxNumZoneSets		Optional	The maximum number of ZoneSets in the Zone Set Database. NULL should be returned in such cases when the property is not applicable or the number is not limited explicitly.

Table 67 - SMI Referenced Properties/Methods for CIM_ZoneCapabilities

Properties	Flags	Requirement	Description & Notes
MaxNumZone		Optional	The maximum number of Zones in the Zone Set Database. NULL should be returned in such cases when the property is not applicable or the number is not limited explicitly.
MaxNumZoneMembers		Optional	The maximum number of ZoneMembers in the Zone Set Database . All ZoneMembers included in both Zones and ZoneAliases are counted, while the same ZoneMember included in multiple Zones or ZoneAliases is counted only once. NULL should be returned in such cases when the property is not applicable or the number is not limited explicitly.
MaxNumZoneAliases		Optional	The maximum number of ZoneAliases in the Zone Set Database NULL should be returned in such cases when the property is not applicable or the number is not limited explicitly.
ZoneNameMaxLen		Mandatory	The maximum length for the name of a ZoneAlias (NamedAddressCollection.ElementName), Zone (Zone.ElementName) or ZoneSet (ZoneSet.ElementName) the Fabric (or Switch) are capable of supporting.
ZoneNameFormat		Mandatory	The name format of a ZoneAlias *NamedAddressCollection.ElementName), Zone (Zone.ElementName) or ZoneSet (ZoneSet.ElementName) supported by either the Fabric (or the Switch).
MaxNumZonesPerZoneSet		Optional	The maximum number of Zones per ZoneSet. NULL should be returned in such cases when the property is not applicable or the number is not limited explicitly.
SupportedConnectivityMemberTypes		Mandatory	An array containing the supported connectivity member types supported which include Permanent Address (WWN), Switch Port ID (Domain:Port in base10), Network Address (FCID), Logical Port Group (Node WWN).

4.8.64 CIM_ZoneMembershipSettingData

Defines the zone member.

Created By: Extrinsic: AddZoneMemberSettingData

Modified By: Static

Deleted By: Static

Requirement: Mandatory

Table 68 describes class CIM_ZoneMembershipSettingData.

Table 68 - SMI Referenced Properties/Methods for CIM_ZoneMembershipSettingData

Properties	Flags	Requirement	Description & Notes
InstanceID		Mandatory	Opaque.
ConnectivityMemberType		Mandatory	Permanent Address (WWN), Switch Port ID (Domain:Port in base10), Network Address (FCID).
ConnectivityMemberID	C	Mandatory	The value of the WWN, Domain/Port, or FCID.

4.8.65 CIM_ZoneSet (Active)

The active ZoneSet being enforced by the Fabric.

Created By: Extrinsic: ActivateZoneSet

Modified By: Static

Deleted By: Static

Requirement: Mandatory

Table 69 describes class CIM_ZoneSet (Active).

Table 69 - SMI Referenced Properties/Methods for CIM_ZoneSet (Active)

Properties	Flags	Requirement	Description & Notes
InstanceID		Mandatory	Opaque.
ElementName		Mandatory	The ZoneSet name.
Active		Mandatory	shall be TRUE. Indicates that this ZoneSet is active and members cannot be changed.

4.8.66 CIM_ZoneSet (Inactive)

The inactive ZoneSets.

Created By: Extrinsic: CreateZoneSet

Modified By: Static

Deleted By: Static

Requirement: Mandatory

Table 70 describes class CIM_ZoneSet (Inactive).

Table 70 - SMI Referenced Properties/Methods for CIM_ZoneSet (Inactive)

Properties	Flags	Requirement	Description & Notes
InstanceID		Mandatory	Opaque.
ElementName		Mandatory	The ZoneSet name.
Active		Mandatory	Shall be FALSE. Indicates that this ZoneSet is inactive.

STABLE**5 Enhanced Zoning and Enhanced Zone Control Subprofile****5.1 Description**

This profile describes the additional zoning functions for enhanced zoning. Note that Sessions are normally part of enhanced zoning, but are included in the base fabric profile to address the various types of zoning operations into a single object model. In this subprofile, then only Zone Alias is added.

5.2 Health and Fault Management

None

5.3 Cascading Considerations

None

5.4 Dependencies on Profiles, Subprofiles, and Packages

Table 71 describes the supported profiles for Enhanced Zoning and Enhanced Zoning Control.

Table 71 - Supported Profiles for Enhanced Zoning and Enhanced Zoning Control

Profile Name	Organization	Version	Requirement	Description
Zone Control	SNIA	1.4.0	Mandatory	

Support for the 6 Zone Control Subprofile is mandatory for the Enhanced Zoning and Enhanced Zoning Control Subprofile.

5.5 Methods of this Profile**CreateZoneAlias**

The method creates a ZoneAlias and the association HostedCollection. The newly created association, HostedCollection, associates the ZoneAlias to the same AdminDomain the ZoneService is hosted to. For the newly created ZoneAlias, the Active property is always set to false.

```
CreateZoneAlias(
    [IN] string CollectionAlias,
    [OUT] CIM_NamedAddressCollection ref ZoneAlias);
```

AddZoneAlias

Adds to the Zone the specified ZoneAlias.

```
AddZoneAlias(
    [IN] CIM_Zone ref Zone,
    [IN] CIM_NamedAddressCollection ref ZoneAlias);
```

5.6 Client Considerations and Recipes**5.6.1 Create a ZoneAlias**

```
// DESCRIPTION
// Create zone alias and add new zone member based on
// the parameters collected by the CIM Client.
// Before any operations can be imposed on the zoning
```

Enhanced Zoning and Enhanced Zone Control Subprofile

```
// service, a session is requested and obtained from the zone
// service. Create a new ZoneAlias. The session may not be ended if
// the ZoneAlias is empty, so add a zone member to the new ZoneAlias.
// The session is released when the operations are
// completed.
//
// PRE-EXISTING CONDITIONS AND ASSUMPTION
// 1.The system of interest,either the fabric (AdminDomain)
//   or the switch (ComputerSystem), has been
//   previously identified and defined in the
//   $System-> variable
// 2.The name of the new zone alias is defined in the
//   #ZoneAliasName variable
// 3. The zone member type is defined in the #ConnectivityMemberType
//   variable
// 4. The zone member Id of the new zone member is defined in the
//   #ConnectiivityMemberID variable

// 1. Get the ZoneService and start a session
$ZoneServices->[] = AssociatorNames(
    $System->,
    "CIM_HostedService",
    "CIM_ZoneService", null, null)

// Assumption 1 above guarantees there is a zone service for this
// system. the fabric and switch profiles that there is no more than
// one ZoneService for this system
$ZoneService-> = $ZoneServices[0]

if(!&startSession($ZoneService->))
{
    return
}

// 2. Create the ZoneAlias
%InArguments["CollectionAlias"] = #ZoneAliasName
#status = InvokeMethod(
    $ZoneService->,
    "CreateZoneAlias",
    %InArguments[],
    %OutArguments[])

$ZoneAlias-> = %OutArguments["ZoneAlias"]
if(#status != 0)
    // ERROR!
```

Enhanced Zoning and Enhanced Zone Control Subprofile

```
// 3. Create or locate a ZoneMembershipSettingData
%InArguments["ConnectivityMemberType"] = #ConnectivityMemberType
%InArguments["ConnectivityMemberID"] = #ConnectivityMemberID
%InArguments["SystemSpecificCollection"] = $ZoneAlias->
#status = InvokeMethod($ZoneService->, "CreateZoneMembershipSettingData",
                        %InArguments[], %OutArguments[])

// 4. Add to zone alias if not created as a member of the zone alias
//     Zone member reference is set accordingly in the output arguments.

$ZoneMember-> = %OutArguments["ZoneMembershipSettingData"]

if (#status != 0)
    // ERROR!

// 5. End the session gracefully
&endSession($ZoneService->)
// 6. Verify that the ZoneAlias exists in the database
try{
    GetInstance($ZoneAlias->)
}catch(CIM_ERR_NOT_FOUND){
    // error
}
```

5.6.2 Delete a ZoneAlias

```
// DESCRIPTION
// Delete a zone alias.
// Before any operations can be imposed on the zoning service, a
// session is requested and obtained from the zone service.
// The session is released when the operations are completed.
//
// if the deletion fails, it may be because the Zone Alias is not empty.
// In this case, remove all members from the alias by deleting the
// ElementSettingData associations, and try the deletion again.
//
// PRE-EXISTING CONDITIONS AND ASSUMPTION
// 1.The system of interest,either the fabric (AdminDomain)
//    or the switch (ComputerSystem), has been
//    previously identified and defined in the
//    $System-> variable
// 2.The object name of the zone alias to be deleted is
//    defined in the $ZoneAlias-> variable

// 1. Get the zone service and start a session
$ZoneServices->[] = AssociatorNames(
```

Enhanced Zoning and Enhanced Zone Control Subprofile

```
$System->,
"CIM_HostedService",
"CIM_ZoneService",
null,
null)

// Assumption 1 above guarantees there is a zone service for this
// system. the fabric and switch profiles that there is no more than
// one ZoneService for this system
$ZoneService-> = $ZoneServices[0]

if(!&startSession($ZoneService->))
{
    return
}

// 2. Attempt to delete the alias
try{
    DeleteInstance($ZoneAlias->)
}catch(CIM_ERR_FAILED){
    // Try to remove any zone members in the alias
    // via the ElementSettingData association
    $ZoneMembers->[] = referenceNames($ZoneAlias->,
        "CIM_ElementSettingData",
        null)
    for #j in $ZoneMembers->[] {
        DeleteInstance($ZoneMembers[#j])
    }
    // Try again
    DeleteInstance($ZoneAlias->)
}

// 3. End Session
&endSession($ZoneService->)
// verify that the deletion occurred
try{
    GetInstance($ZoneAlias->)
}catch(CIM_ERR_NOT_FOUND){
    //expect exception
    return
}
// error!!
```


5.7 Registered Name and Version

Enhanced Zoning and Enhanced Zoning Control version 1.4.0 (Component Profile)

5.8 CIM Elements

Table 72 describes the CIM elements for Enhanced Zoning and Enhanced Zoning Control.

Table 72 - CIM Elements for Enhanced Zoning and Enhanced Zoning Control

Element Name	Requirement	Description
5.8.1 CIM_ElementSettingData (ZoneMembershipSettingData to NamedAddressCollection)	Mandatory	Associates ZoneMembershipSettingData to the NamedAddressCollection representing the ZoneAlias.
5.8.2 CIM_HostedCollection (AdminDomain to Collection)	Mandatory	Associates the NameAddressCollection representing the Zone Alias to the AdminDomain.
5.8.3 CIM_HostedCollection (ComputerSystem to Collection)	Mandatory	Associates the NameAddressCollection representing the Zone Alias to the System.
5.8.4 CIM_MemberOfCollection	Mandatory	Associates NamedAddressCollection with Zone.
5.8.5 CIM_NamedAddressCollection	Mandatory	The Zone Alias.
5.8.6 CIM_ZoneService (Zone Service)	Mandatory	The service that allows for all of the zoning configuration changes.

5.8.1 CIM_ElementSettingData (ZoneMembershipSettingData to NamedAddressCollection)

Associates ZoneMembershipSettingData to the NamedAddressCollection representing the ZoneAlias.

Created By: Static

Modified By: Static

Deleted By: Static

Requirement: Mandatory

Table 73 describes class CIM_ElementSettingData (ZoneMembershipSettingData to NamedAddressCollection).

Table 73 - SMI Referenced Properties/Methods for CIM_ElementSettingData (ZoneMembershipSettingData to NamedAddressCollection)

Properties	Flags	Requirement	Description & Notes
SettingData		Mandatory	
ManagedElement		Mandatory	

5.8.2 CIM_HostedCollection (AdminDomain to Collection)

Associates the NamedAddressCollection representing the Zone Alias to the AdminDomain representing the Fabric.

Created By: Static

Modified By: Static

Deleted By: Static

Requirement: Mandatory

Table 74 describes class CIM_HostedCollection (AdminDomain to Collection).

Table 74 - SMI Referenced Properties/Methods for CIM_HostedCollection (AdminDomain to Collection)

Properties	Flags	Requirement	Description & Notes
Antecedent		Mandatory	Reference to the Fabric AdminDomain (OtherIdentifyingInfo contains 'Fabric' with a corresponding 'SNIA:DetailedType' in IdentifyingDescriptions').
Dependent		Mandatory	Reference to the NamedAddressCollection representing the Zone Alias.

5.8.3 CIM_HostedCollection (ComputerSystem to Collection)

Associates the NamedAddressCollection representing the Zone Alias to the ComputerSystem representing the switch.

Created By: Static

Modified By: Static

Deleted By: Static

Requirement: Mandatory

Table 75 describes class CIM_HostedCollection (ComputerSystem to Collection).

Table 75 - SMI Referenced Properties/Methods for CIM_HostedCollection (ComputerSystem to Collection)

Properties	Flags	Requirement	Description & Notes
Antecedent		Mandatory	A reference to a Switch ComputerSystem.
Dependent		Mandatory	Reference to the NamedAddressCollection representing the Zone Alias.

5.8.4 CIM_MemberOfCollection

Associates NamedAddressCollection with Zone.

Created By: Static

Modified By: Static

Deleted By: Static

Requirement: Mandatory

Table 76 describes class CIM_MemberOfCollection.

Table 76 - SMI Referenced Properties/Methods for CIM_MemberOfCollection

Properties	Flags	Requirement	Description & Notes
Collection		Mandatory	
Member		Mandatory	

5.8.5 CIM_NamedAddressCollection

The Zone Alias.

Created By: Static

Modified By: Static

Deleted By: Static

Requirement: Mandatory

Table 77 describes class CIM_NamedAddressCollection.

Table 77 - SMI Referenced Properties/Methods for CIM_NamedAddressCollection

Properties	Flags	Requirement	Description & Notes
InstanceID		Mandatory	Opaque.
CollectionAlias		Mandatory	The Zone Alias Name.

5.8.6 CIM_ZoneService (Zone Service)

The service that allows for all of the zoning configuration changes. The definition in this profile adds additional methods to the same service defined in Zone Control.

Created By: Static

Modified By: Static

Deleted By: Static

Requirement: Mandatory

Table 78 describes class CIM_ZoneService (Zone Service).

Table 78 - SMI Referenced Properties/Methods for CIM_ZoneService (Zone Service)

Properties	Flags	Requirement	Description & Notes
SystemCreationClassName		Mandatory	The scoping System's CreationClassName.
SystemName		Mandatory	The scoping System's Name.
CreationClassName		Mandatory	The Class Name.
Name		Mandatory	Opaque.
CreateZoneAlias()		Mandatory	
AddZoneAlias()		Mandatory	

STABLE

STABLE**6 Zone Control Subprofile****6.1 Description**

This profile includes extrinsic methods for creating Zone Sets, Zones, and Zone Members and adding Zones to Zone Sets and Zone Members to Zones. Additionally SMI-S defines intrinsic methods for the removing of Zone Members from Zones and Zone Aliases, Zones from Zone Sets, and deleting Zone Members, Zones, and Zone Sets. The profile also includes methods to allow a client to request or release a lock on the fabric for zoning configuration changes.

When an Inactive ZoneSet is “Activated”, new instances representing the Active Zone Set and Active Zones are generated from the Inactive Zone Set definition (where a switch may prune the referenced Zone Set collapsing aliases, removes empty zones, etc.).

When a new Zone Set is “Activated”, the instances representing the previous active Zone Set no longer exists.

This profile also includes the property ConfigurationID on the ZoneService. The ConfigurationID is used to identify a unique point in time identifier of the zoning configuration. It may be a timestamp, a generation identifier, or a checksum. The ConfigurationID shall change whenever the zoning configuration changes. The value of the property is used as an input to ActivateZoneSet() and SessionControl() to allow the client to confirm that the change requested are consistent with the last discovery the client made of the zoning configuration.

In the case where the Inactive Zone Sets are hosted on a switch, the client cannot know which Inactive Zone Set was used to define the current Active Zone Set. Also if two Inactive Zone Sets with the same name are hosted on two different switches, the definitions maybe completely different.

6.2 Durable Names and Correlatable IDs of the Profile

None

6.3 Instrumentation Requirements

The agent shall support the use case defined in 6.8.

6.4 Health and Fault Management

None

6.5 Cascading Considerations

None

6.6 Dependencies on Profiles, Subprofiles, and Packages

Related Profiles for Zone Control: Not defined in this standard.

6.7 Methods of this Profile**6.7.1 CreateZoneSet**

The method creates a ZoneSet and associates it to the System (AdminDomain representing the Fabric or the ComputerSystem representing the Switch) that the ZoneService is hosted on.

```

CreateZoneSet (
    [IN] string ZoneSetName,
    [OUT] CIM_ZoneSet ref ZoneSet);

```

6.7.2 CreateZone

The method creates a Zone and associates it to System (AdminDomain representing the Fabric or the ComputerSystem representing the Switch) that the ZoneService is hosted on.

```

CreateZone (
    [IN] string ZoneName,
    [IN] uint16 ZoneType,
    [IN] uint16 ZoneSubType,
    [OUT] CIM_Zone ref Zone);

```

6.7.3 CreateZoneMembershipSettingData

The method creates a ZoneMembershipSettingData (a zone member) and adds it to the specified Zone or NamedAddressCollection representing a Zone Alias. The ConnectivityMemberID is dependent upon the ConnectivityMemberType.

For Fibre Channel, the ConnectivityMemberType of “PermanentAddress”, the ConnectivityMemberID is the NxPort WWN; for ConnectivityMemberType of “NetworkAddress”, the ConnectivityMemberID is the NXPort Address ID; for ConnectivityMemberType of “SwitchPortID”, the ConnectivityMemberID is “Domain:PortNumber”.

```

CreateZoneMembershipSettingData (
    [IN] uint16 ConnectivityMemberType,
    [IN] string ConnectivityMemberID,
    [IN] CIM_SystemSpecificCollection ref SystemSpecificCollection,
    [OUT] CIM_ZoneMembershipSettingData ref ZoneMembershipSettingData);

```

6.7.4 AddZone

The method adds to the specified ZoneSet the specified Zone. Adding a Zone to a ZoneSet, extends the zone enforcement definition of the ZoneSet to include the members of that Zone. If adding the Zone is successful, the Zone should be associated to the ZoneSet by MemberOfCollection.

```

AddZone (
    [IN] CIM_ZoneSet ref ZoneSet,
    [IN] CIM_Zone ref Zone);

```

6.7.5 AddZoneMembershipSettingData

The method adds to the specified Zone or NamedAddressCollection representing the Zone Alias the specified ZoneMembershipSettingData (a zone member).

```

AddZoneMembershipSettingData (
    [IN] CIM_SystemSpecificCollection ref SystemSpecificCollection,
    [IN] CIM_ZoneMembershipSettingData ref ZoneMembershipSettingData);

```

EXPERIMENTAL

6.7.6 ActivateZoneSetWithJob

This method activates the specified ZoneSet with the expectation that a job will be created. It has an optional input, ConfigurationID, which is used to confirm that the ZoneSet being activated matches the definition the application previously discovered or changed. If the ConfigurationID passed in matches the ConfigurationID associated to the current zone definitions, then the fabric attempts to activate the ZoneSet. If the ConfigurationIDs do not match, the method exits without activating the ZoneSet. Once a ZoneSet is activated, a ZoneSet with the property Active set to true, its associated Zones with the property Active set to true, and the Zone's associated ZoneMembershipSettingData are instantiated.

This method may run asynchronously due to the length of the operation. This typically occurs when the session is ended and the changes are committed. When the method is run asynchronously, the value "Method parameters checked - job started" is returned and the output parameter Job is populated with a reference to the job instance.

ActivateZoneSet shall be supported outside of a session. ActivateZoneSet being called within a session is implementation specific.

Calling ActivateZoneSet outside of a session while a session is open is implementation specific.

```
uint32 ActivateZoneSetWithJob (
    [IN] CIM_ZoneSet ref ZoneSet,
    [IN] boolean Activate,
    [IN,OUT] string ConfigurationID,
    [OUT] CIM_ConcreteJob REF Job,
    [IN] datetime TimeoutPeriod)
```

EXPERIMENTAL

6.7.7 ActivateZoneSet

This method activates the specified ZoneSet without a Job. ActivateZoneSetWithJob replaces this method. It is supported for backwards compatibility and should not be used in future implementations.

Once a ZoneSet is activated, a ZoneSet with the property Active set to true, its associated Zones with the property Active set to true, and the Zone's associated ZoneMembershipSettingData are instantiated.

ActivateZoneSet shall be supported outside of a session. ActivateZoneSet being called within a session is implementation specific.

Calling ActivateZoneSet outside of a session while a session is open is implementation specific.

```
uint32 ActivateZoneSet (
    [IN] CIM_ZoneSet ref ZoneSet,
    [IN] boolean Activate )
```

EXPERIMENTAL

6.7.8 SessionControlWithJob

This method allows a client to request or release a lock on the fabric for zoning configuration changes. The method has an optional input, ConfigurationID, which is used to confirm that the ZoneSet being activated matches the definition the application previously discovered or changed. If the ConfigurationID passed in matches the ConfigurationID associated to the current zone definitions, then the fabric

attempts to grant the lock. If the ConfigurationIDs do not match, the method exits without attempting to have the fabric grant the lock.

As described in FC-GS, in the context of Enhanced Zoning Management, management actions to a Zone Server (e.g., write access to the Zoning Database) shall occur only inside a GS session. Clients executing zoning management operations shall use fabric sessions cooperatively if the SMI-S agent supports it. (If the value of SessionState is 4 (“Not Applicable”) then no cooperative session usage is possible).

Before a client executes zoning management operations (intrinsic or extrinsic methods), the client shall request a new session and wait for the request to be granted. To request a new session, first wait until the property “SessionState” of the fabric’s ZoneService is 3 (“Ended”) and the property “RequestedSessionState” is 5 “No Change”. Then call SessionControl with RequestedSessionState = 2 (“Started”). Once zoning management operations are completed, the client shall release the session to enable the provider to propagate changes to the fabric, and to allow other clients to perform management operations. To end a session and commit the changes, call SessionControl with RequestedSessionState = 3 (“Ended”). To abort a sequence of zoning management operations without updating the fabric, call SessionControl with RequestedSessionState = 4 (“Terminated”).

SMI-S agents shall block on calls to SessionControl until the request is fulfilled. For example, an error may occur while committing changes to a fabric, i.e., after a call to SessionControl with RequestedSessionState = 3 (“Ended”). The method cannot return until the session has ended, so that a CIM error can be returned if a problem occurs. While the method is in progress, another client may read the value of the RequestedSessionState property and see the value set by the method currently in progress. Once the request is fulfilled, the RequestedSessionState property is set to value 5 “No Change”, regardless of the value in the setInstance operation.

Sessions can timeout. The session timeout behavior and settings are defined by FC-SW in the section discussing mapping GS sessions for Enhanced Zoning Management.

This method may run asynchronously due to the length of the operation. This shall occur when the session is “Ended” to commit the changes. It shall not be used for any other case. When the method is run asynchronously, the value “Method parameters checked - job started” is returned and the output parameter Job is populated with a reference to the job instance.

A SMIS agent may raise an error if these client cooperation rules are not followed. For the purposes of a SMIS agent, a series of requests from the same authenticated entity are considered to be from a single client. An agent may verify that such a series corresponds to the sequence described above and raise the error CIM_ERR_FAILED at any time if the sequence is violated.

```
uint32 SessionControlWithJob (
    [IN,
        ValueMap {"2", "3", "4"},
        Values {"Started", "Ended", "Terminated"}]
    uint16 RequestedSessionState,
    [IN,OUT] string ConfigurationID,
    [OUT] CIM_ConcreteJob REF Job,
    [IN] datetime TimeoutPeriod)
```

EXPERIMENTAL

6.7.9 SessionControl

The method enables a client to request a lock of the fabric to begin zoning configuration changes. It is supported for legacy implementations. SessionControlWithJob replaces this method. It is supported for backwards compatibility only and should not be used in future implementations.

This method allows a client to request or release a lock on the fabric for zoning configuration changes. As described in FC-GS, in the context of Enhanced Zoning Management, management actions to a Zone Server (e.g., write access to the Zoning Database) shall occur only inside a GS session. Clients executing zoning management operations shall use fabric sessions cooperatively if the SMI-S agent supports it. (If the value of SessionState is 4 (“Not Applicable”) then no cooperative session usage is possible).

Before a client executes zoning management operations (intrinsic or extrinsic methods), the client shall request a new session and wait for the request to be granted. To request a new session, first wait until the property “SessionState” of the fabric’s ZoneService is 3 (“Ended”) and the property “RequestedSessionState” is 5 “No Change”. Then call SessionControl with RequestedSessionState = 2 (“Started”). Once zoning management operations are completed, the client shall release the session to enable the provider to propagate changes to the fabric, and to allow other clients to perform management operations. To end a session and commit the changes, call SessionControl with RequestedSessionState = 3 (“Ended”). To abort a sequence of zoning management operations without updating the fabric, call SessionControl with RequestedSessionState = 4 (“Terminated”).

SMIS agents shall block on calls to SessionControl until the request is fulfilled. For example, an error may occur while committing changes to a fabric, i.e., after a call to SessionControl with RequestedSessionState = 3 (“Ended”). The method cannot return until the session has ended, so that a CIM error can be returned if a problem occurs. While the method is in progress, another client may read the value of the RequestedSessionState property and see the value set by the method currently in progress. Once the request is fulfilled, the RequestedSessionState property is set to value 5 “No Change”, regardless of the value in the setInstance operation.

Sessions can timeout. The session timeout behavior and settings are defined by INCITS FC-SW in the section discussing mapping GS sessions for Enhanced Zoning Management.

A SMIS agent may raise an error if these client cooperation rules are not followed. For the purposes of a SMIS agent, a series of requests from the same authenticated entity are considered to be from a single client. An agent may verify that such a series corresponds to the sequence described above and raise the error CIM_ERR_FAILED at any time if the sequence is violated.

```
uint32 SessionControl (
    [IN,
    ValueMap {"2", "3", "4"},
    Values {"Started", "Ended", "Terminated"}]
    uint16 RequestedSessionState);
```

6.7.10 Intrinsic for removing a zone from a zone set

As shown in Figure 7 in the Fabric Profile, a zone is a member of a zone set if there is a “CIM_MemberOfCollection” association from the zone set to the zone. To remove a zone from a zone set, delete the instance of the association “CIM_MemberOfCollection” using the intrinsic operation deleteInstance.

6.7.11 Intrinsic for removing a zone alias from a zone

A zone alias is a member of a zone if there is a “CIM_MemberOfCollection” association from the zone to the zone alias. To remove a zone alias from a zone set, delete the instance of the association “CIM_MemberOfCollection” using the intrinsic operation deleteInstance.

6.7.12 Intrinsic for removing a zone member from a zone or zone alias

Zone members are represented by CIM_ZoneMembershipSettingData instances. No instance of CIM_ZoneMembershipSettingData exists unless it is associated to a zone or zone alias by a CIM_ElementSettingData association. However, an instance of CIM_ZoneMembershipSettingData may be associated to more than one zone or zone alias.

Removing a zone member from a zone or zone alias is equivalent to deleting the instance of the CIM_ElementSettingData association. Delete the instance using the intrinsic operation deleteInstance.

If this is the last instance of a CIM_ElementSettingData association for a particular CIM_ZoneMembershipSettingData, do not delete the instance of CIM_ZoneMembershipSettingData; it is the provider's responsibility to clean up these structures.

6.7.13 Intrinsic for deleting a zone member

Zone members are represented by CIM_ZoneMembershipSettingData instances associated to zones or zone aliases via CIM_ElementSettingData associations. To delete a zone member (and remove it from any zones or zone aliases from which it is a member) use the CIM operation deleteInstance to delete the instance of CIM_ZoneMembershipSettingData.

Do not delete the corresponding instances of the CIM_ElementSettingData; it is the provider's responsibility to clean up these structures.

6.7.14 Intrinsic for deleting a zone, zone alias, or zone set

Use the intrinsic operation deleteInstance to delete a zone, zone alias or zone set. Client are allowed to delete zones or zone aliases that are members of collections (zones or zone sets). Clients are allowed to delete the last member of a zone or zone set, leaving the collection empty.

A zone set or zone cannot be deleted if it is currently active (the error would be CIM_ERR_FAILED). Some implementations may prohibit deleting zonesets, zones or zone aliases that still have members (the error would be CIM_ERR_FAILED). When a zone, zone alias or zone set is deleted, the client does not have to delete the corresponding instances of CIM_MemberOfCollection or CIM_HostedCollection; it is the provider's responsibility to clean up these structures.

6.8 Client Considerations and Recipes

Many agent implementations do not allow Zone, a ZoneAlias or a Zone Set to be defined empty. Since the methods defined in SMI-S do not support creating a Zone Set with a Zone and a Zone with a Zone Member, the SessionControl method should be used to build a Zone Definition that is interoperable. This is done by calling ZoneSession() to "Start" defining or updating the Zone Definition. The client then calls the appropriate methods as necessary to build the desired Zone Definition. For example, calling CreateZoneSet() to create a new Zone Set, CreateZone() to create a new Zone, AddZoneToZoneSet() to add the newly created Zone to the newly created Zone Set, and CreateZoneMembershipSettingData() to create and add a new Zone Member to the newly created Zone. Upon completion of the new zoning definition, ZoneControl is called again to "End" the session. The changes to the Zone Definition would then be applied to the Zone Set Database. This set of calls would create a Zone Definition where the Zone and ZoneSet are not empty and would be interoperable across all agent implementations.

6.8.1 Create or delete zones Common Functions

```
// DESCRIPTION
//
// Common functions used by the recipes below.
//
// startSession: attempt to start fabric session if required;
// returns false if attempt fails; returns true if attempt succeeds
```

Zone Control Subprofile

```
// or if session control is unnecessary
//
// endSession: finalize fabric session if required; returns false
// if attempt fails; returns true if attempt succeeds or if session
// control is unnecessary
//
//
// findActiveZoneSet: routine to find the active zoneset
// on a fabric, and return the reference to it
//

// PREEXISTING CONDITIONS AND ASSUMPTIONS
//
// None

sub boolean startSession ($ZoneService->)
{
    $ZoneService = GetInstance($ZoneService->, false, false, false, null)

    // session statuses
    #Ended = 3
    #NotApplicable = 4

    // requested session statuses
    #Started = 2
    #NoChange = 5

    if ($ZoneService.SessionState == #NotApplicable)
        return true // no session control implemented by this agent

    if ($ZoneService.SessionState != #Ended)
        return false // fabric session is in use by another client or agent

    if ($ZoneService.RequestedSessionState != #NoChange)
        return false // another client has already requested session

    %InArguments["RequestedSessionState"] = #Started

    #status = InvokeMethod($ZoneService->, "SessionControl", %InArguments,
        %OutArguments)
    if (#status != 0) // e.g. "Failed"
        return false

    $ZoneService = GetInstance($ZoneService->, false, false, false, null)
    if ($ZoneService.SessionState != #Started)
        return false
}
```

Zone Control Subprofile

```
    return true
}

// PREEXISTING CONDITIONS AND ASSUMPTIONS
//
// None

sub boolean endSession ($ZoneService->) {
    $ZoneService = GetInstance($ZoneService->, false, false, false, null)

    // session statuses
    #Started = 2
    #NotApplicable = 4

    // requested session statuses
    #End = 3

    if ($ZoneService.SessionStatus == #NotApplicable){
        return true // no need for session control

    if ($ZoneService.SessionStatus != #Started)
        return false // no session started by this client

    %InArguments["RequestedSessionState"] = #End
    #status = InvokeMethod($ZoneService, "SessionControl", %InArguments,
        %OutArguments)
    if (#status != 0) // e.g. "Failed"
        return false

    // Do not wait, or even check, for SessionState to have value "Ended" as
    // a) InvokeMethod will block till done (or failed) anyway
    // b) Before the check can be made, session may already be started
    // by another client

    return true
}

// PREEXISTING CONDITIONS AND ASSUMPTIONS
// The reference to the fabric on which the active
// zoneset it to be sought is already known in
// the input variable $Fabric. Calling code
// should verify that the returned reference is non-null
//
sub Ref findActiveZoneSet($Fabric->){
    $ActiveZoneSet->=null
    $ZoneSets[] = Associators(
```

```

    $Fabric->,
    "CIM_HostedCollection",
    "CIM_ZoneSet",
    null,
    null,
    false,
    false,
    {"Active"} )
// there may be no active zoneset
if(0 < ZoneSets[].size()){
    for(#i in $ZoneSets[]){
        if(true==$ZoneSets[#i].Active){
            $ActiveZoneSet->=nameof($ZoneSets[#i])
            break
        }
    }
}
return $ActiveZoneSet->
}

```

6.8.2 Add new Zone Member to Existing Zone

```

// DESCRIPTION
// Add new Zone Member to Existing Zone
//
// Assume the client has already invoked some logic to determine which
// System (fabric or switch) will host the zone database and zone
// service to be used. Request and obtain a fabric session from the
// zone service. Use an extrinsic method to attempt to create a new
// instance of ZoneMembershipSettingData, associated to a zone. If
// the creation fails because an instance already exists for the
// desired zone member id, simply create an association between the
// pre-existing ZoneMembershipSettingData instance and the zone
// instance. Then close the fabric session.
//
// PREEXISTING CONDITIONS AND ASSUMPTIONS
//
// 1. The System hosting the zone database (ComputerSystem or
//    AdminDomain) has been previously identified and defined in the
//    $System-> variable
//
// 2. The zone member type is defined in the #ConnectivityMemberType variable
//
// 3. The zone member id of the new zone member is defined in the
//    #ConnectivityMemberID variable
//
// 4. An existing zone is defined in the $Zone-> variable

```

Zone Control Subprofile

```
//  
// FUNCTIONS  
  
// 1. Get the Zone Service and start the session  
  
$ZoneServices->[] = AssociatorNames($System->, "CIM_HostedService",  
                                   "CIM_ZoneService", null, null)  
  
// Assumption 1 (above) guarantees there is a zone service for this  
// System, Fabric Profile mandates there is no more than one zone  
// service for this System  
$ZoneService-> = $ZoneService->[0]  
  
// Start the session  
if (!&startSession($ZoneService->)) {  
    <ERROR! Failed to start zone session>  
}  
  
// 2. Create a ZoneMembershipSettingData  
%InArguments["ConnectivityMemberType"] = #ConnectivityMemberType  
%InArguments["ConnectivityMemberID"] = #ConnectivityMemberID  
%InArguments["SystemSpecificCollection"] = $Zone->  
#status = InvokeMethod($ZoneService->, "CreateZoneMembershipSettingData",  
                       %InArguments[], %OutArguments[])  
  
if (#status != 0){  
    <ERROR! call to method CreateZoneMembershipSettingData failed #status>  
}  
// 3. Store the returned object path for verification  
$ZoneMember-> = %OutArguments["ZoneMembershipSettingData"]  
  
// 4. End session successfully  
if(!&endSession($ZoneService->)){  
    <ERROR! Failed to end session, changes may not have been committed>  
}  
  
// 5. Verify that the zonemember exist within the specified zone  
  
$ZoneMembers->[]=associatorNames(  
    $Zone->,  
    "CIM_ElementSettingData",  
    "CIM_ZoneMembershipSettingData",  
    "ManagedElement",  
    "SettingData" )  
if(!contains($ZoneMember->,$ZoneMembers[])){  
    <ERROR! Failed to verify zone member created>  
}  
}
```

6.8.3 Create new Zone, add new Zone Member, and add to existing ZoneSet

```
// DESCRIPTION
// Create new Zone, add new Zone Member, and add to existing ZoneSet
//
// Assume the client has already invoked some logic to determine which
// System (fabric or switch) will host the zone database and zone
// service to be used. Request and obtain a fabric session from the
// zone service. Create a new Zone using an extrinsic method. The
// session may not be ended if any zone is empty, so add a zone member
// to the new zone. The session also may not be ended unless every
// zone is a member of at least one zone set, so add the new zone to
// an existing zone set. Then close the fabric session.
//
//
// PREEXISTING CONDITIONS AND ASSUMPTIONS
//
// 1. The System hosting the zone database (ComputerSystem or
//    AdminDomain) has been previously identified and defined in the
//    $System-> variable
//
// 2. The name for a new zone is defined in the #ZoneName variable
//
// 3. The type for the new zone is defined in the #ZoneType variable
//
// 4. The sub type for the new zone is defined in the #ZoneSubType
//    variable
//
// 5. The zone member type is defined in the #ConnectivityMemberType variable
//
// 6. The zone member id of the new zone member is defined in the
//    #ConnectivityMemberID variable
//
// 7. An existing zoneSet is defined in the $ZoneSet-> variable
//
// FUNCTIONS

// 1. Get the Zone Service and start the session
$ZoneServices->[] = AssociatorNames($System->, "CIM_HostedService",
                                "CIM_ZoneService", null, null)

// Assumption 1 (above) guarantees there is a zone service for this
// System, Fabric Profile mandates there is no more than one zone
// service for this System
$ZoneService-> = $ZoneServices->[0]
```

Zone Control Subprofile

```
    if (!&startSession($ZoneService->)) {
        <ERROR! Failed to start zone session>
    }

// 2. Create a zone
%InArguments["ZoneName"] = #ZoneName
%InArguments["ZoneType"] = #ZoneType
%InArguments["ZoneSubType"] = #ZoneSubType
InvokeMethod($ZoneService->, "CreateZone", %InArguments[], %OutArguments[])
$Zone-> = $OutArguments["Zone"]

// 3. Create a ZoneMembershipSettingData
%InArguments["ConnectivityMemberType"] = #ConnectivityMemberType
%InArguments["ConnectivityMemberID"] = #ConnectivityMemberID
%InArguments["SystemSpecificCollection"] = $Zone->
#status = InvokeMethod($ZoneService->, "CreateZoneMembershipSettingData",
    %InArguments[], %OutArguments[])

if (#status != 0){
    <ERROR! Call to method CreateZoneMembershipSettingData failed #status>
}

// 4. Save the returned member objectpath for verification
$ZoneMember-> = %OutArguments["ZoneMembershipSettingData"]

// 5. Add the new zone to the existing zone set
%InArguments["ZoneSet"] = $ZoneSet->
%InArguments["Zone"] = $Zone->
#status = InvokeMethod($ZoneService->, "AddZone", %InArguments[], %OutArguments[])
if (#status != 0){
    <ERROR Call to method AddZone failed>
}

// 6. End Session
if(!&endSession($ZoneService->)){
    <ERROR! Failed to end session, changes may not have been committed>
}

// 7. Verify that the zone exists in the zone set
$Zones->[]=associatorNames(
    $ZoneSet->,
    "CIM_MemberOfCollection",
    "CIM_Zone",
    "Collection",
    "Member"
)

// see if the zone is in the returned array
if(!contains($Zone->,$Zones->[])){
    <ERROR! Failed to verify that Zone was added to ZoneSet>
}
```



```
}

```

6.8.4 Create new ZoneSet and add existing Zone

```
// DESCRIPTION
// Create new ZoneSet and add existing Zone
//
// Assume the client has already invoked some logic to determine which
// System (fabric or switch) will host the zone database and zone
// service to be used. Request and obtain a fabric session from the
// zone service. Create a new ZoneSet with a given name, using an
// extrinsic method. The session may not be ended if any ZoneSet is
// empty, so add an existing zone to the ZoneSet. Then close the
// fabric session.
//
// PREEXISTING CONDITIONS AND ASSUMPTIONS
//
// 1. The System hosting the zone database (ComputerSystem or
//    AdminDomain) has been previously identified and defined in the
//    $System-> variable
//
// 2. The name for the new zone set is defined in the #ZoneSetName
//    variable
//
// 3. An existing zone is defined in the $Zone-> variable
//
// FUNCTIONS

// 1. Get the Zone Service and start the session

$ZoneServices->[] = AssociatorNames($System->, "CIM_HostedService",
                                "CIM_ZoneService", null, null)
// Assumption 1 (above) guarantees there is a zone service for this
// System, Fabric Profile mandates there is no more than one zone
// service for this System
$ZoneService-> = $ZoneServices->[0]

if (!&startSession($ZoneService->)){
    <ERROR! Failed to start zone session>
}

// 2. Create a zone set
%InArguments["ZoneSetName"] = #ZoneSetName
#status = InvokeMethod($ZoneService->, "CreateZoneSet", %InArguments[],
                      %OutArguments[])

if (#status != 0){

```

Zone Control Subprofile

```
<ERROR! Call to method CreateZoneSet failed>
}

$ZoneSet-> = %OutArguments["ZoneSet"]

// 3. Add the existing zone to the new zone set
%InArguments["ZoneSet"] = $ZoneSet->
%InArguments["Zone"] = $Zone->
#status = InvokeMethod($ZoneService->, "AddZone", %InArguments[], %OutArguments[])
if (#status != 0){
    <ERROR! Call to method AddZone failed #status>
}

// 4. End Session
if(!&endSession($ZoneService->)){
    <ERROR! Failed to end zone session, changes may not be committed>
}

// 5. Verify that the new zone set exists in the zone database
try{
    GetInstance($ZoneSet->);
}catch(CIM_ERR_NOT_FOUND){
    <ERROR! Failed to verify ZoneSet created>
}
}
```

6.8.5 Delete zone

```
// DESCRIPTION
// Delete Zone
//
// Try to use intrinsic delete operation to delete a Zone instance.
// Before any operations can be imposed on the zoning service, a
// session is requested and obtained from the zone service. If the
// deletion fails, this may be because the zone is active, or because
// it is not empty. In the latter case, remove all members from the
// zone by deleting the ElementSettingData association instances, and
// try the deletion again.
//
// PRE-EXISTING CONDITIONS AND ASSUMPTION
// 1. The object name of the zone to be deleted is defined in the
//     $Zone-> variable
// 2. The object name of the zone service object for the System
//     hosting the zone database is defined in the $ZoneService->
//     variable

if(!&startSession($ZoneService->)){
```

Zone Control Subprofile

```
<ERROR! Failed to start session>
}

try {
    DeleteInstance($Zone-)
}
catch(CIM_ERR_FAILED) {
    // Verify that Zone is not active
    $Zone = GetInstance($Zone-, false, false, false, null)
    if ($Zone.Active) {
        // tell client of its logic problem
        <ERROR! May not delete Zone from active ZoneSet>
    }

    // Failure may be caused because zone has members
    // Try to delete all zone memberships (not zone members themselves)
    $ZoneElements->[] = ReferenceNames($Zone-, "CIM_ElementSettingData", null)
    for #i in $ZoneElements->[] {
        DeleteInstance($ZoneElements[#i])
    }

    // Try again
    DeleteInstance($Zone-)
}
if(!&endSession($ZoneService-)){
    <ERROR! Failed to end session, changes may not be committed>
}
// Verify that the zone no longer exists in the zone database
try{
    GetInstance($Zone-)
}catch(CIM_ERR_NOT_FOUND){
    // expect failure
    return
}
// error if no exception thrown
<ERROR! Found Zone that should have been deleted>
```

6.8.6 Delete ZoneSet

```
// DESCRIPTION
// Delete Zone Set
//
// Try to use intrinsic delete operation to delete a ZoneSet
// instance. Before any operations can be imposed on the zoning
// service, a session is requested and obtained from the zone service.
// The session is released when the operations are complete. If the
```

Zone Control Subprofile

```
// deletion fails, this may be because the zone set is active, or
// because it is not empty.  In the latter case, remove all zones from
// the zone set by deleting the MemberOfCollection association
// instances, and try the deletion again.
//
// PRE-EXISTING CONDITIONS AND ASSUMPTION
// 1. The object name of the zone set to be deleted is defined in the
//    $ZoneSet-> variable
// 2. The object name of the zone service object for the system
//    hosting the zone database is defined in the $ZoneService->
//    variable

if (!&startSession($ZoneService->))
    <ERROR! Failed to start session>
}

try {
    DeleteInstance($ZoneSet->)
}
catch(CIM_ERR_FAILED) {
    $ZoneSet = GetInstance($ZoneSet->, false, false, false, null)
    if ($ZoneSet.Active) {
        // tell client of logic problem
        <ERROR! May not delete an active ZoneSet>
    }

    // Failure may be because zoneset is not empty
    $ZoneMemberships->[] = ReferenceNames($ZoneSet->, "CIM_MemberOfCollection",
        null)
    for #i in $ZoneMemberships->[] {
        DeleteInstance($ZoneMemberships->[$i])
    }

    // Try again
    DeleteInstance($ZoneSet->)
}
if(!&endSession($ZoneService->)){
    <ERROR! Failed to end session, changes may not have been committed>
}
// Verify that the deletion did indeed occur
try{
    GetInstance($ZoneSet->)
}catch(CIM_ERR_NOT_FOUND){
    // expected, not a recipe error
    return
}
// error if no exception caught
<ERROR! Found ZoneSet that should have been deleted>
```

6.8.7 Delete ZoneMember

```
// DESCRIPTION
// Delete a zone member, removing it from any zones and aliases of
// which it is a member.
//
// Use the intrinsic delete operation to delete a
// ZoneMembershipSettingData instance. Before any operations can be
// imposed on the zoning service, a session is requested and obtained
// from the zone service. The session is released when the operations
// are complete.
//
// PRE-EXISTING CONDITIONS AND ASSUMPTION
// 1. The object name of the ZoneMembershipSettingData to be deleted is defined in
//     the
//     $ZoneMember-> variable
// 2. The object name of the zone service object for the system
//     hosting the zone database is defined in the $ZoneService->
//     variable

if(!&startSession($ZoneService->)){
    <ERROR! Failed to start session>
}

DeleteInstance($ZoneMember->)
if(!&endSession($ZoneService->)){
    <ERROR! Failed to end session, changes may not have been committed>
}
// verify that it is indeed deleted
try{
    GetInstance($ZoneMember->)
}catch(CIM_ERR_NOT_FOUND){
    // expect an exception,
    // not a recipe error
    return
}
// error if no exception caught
<ERROR! Found ZoneMember that should have been deleted>
```

6.9 Registered Name and Version

Zone Control version 1.4.0 (Component Profile)

6.10 CIM Elements

Table 79 describes the CIM elements for Zone Control.

Table 79 - CIM Elements for Zone Control

Element Name	Requirement	Description
6.10.1 CIM_HostedService (Fabric (AdminDomain) to ZoneService)	Optional	Associates the ZoneService to the AdminDomain representing the fabric.
6.10.2 CIM_HostedService (Switch (ComputerSystem) to ZoneService)	Optional	Associates the ZoneService to the ComputerSystem representing the switch.
6.10.3 CIM_ZoneService (Zone Service)	Mandatory	The service that allows for all of the zoning configuration changes.

6.10.1 CIM_HostedService (Fabric (AdminDomain) to ZoneService)

Associates the ZoneService to the AdminDomain representing the fabric.

Created By: Static

Modified By: Static

Deleted By: Static

Requirement: Optional

Table 80 describes class CIM_HostedService (Fabric (AdminDomain) to ZoneService).

Table 80 - SMI Referenced Properties/Methods for CIM_HostedService (Fabric (AdminDomain) to ZoneService)

Properties	Flags	Requirement	Description & Notes
Antecedent		Mandatory	The reference to the AdminDomain representing the fabric (OtherIdentifyingInfo contains 'Fabric' with a corresponding 'SNIA:DetailedType' in IdentifyingDescriptions').
Dependent		Mandatory	The reference to the ZoneService.

6.10.2 CIM_HostedService (Switch (ComputerSystem) to ZoneService)

Associates the ZoneService to the ComputerSystem representing the switch.

Created By: Static

Modified By: Static

Deleted By: Static

Requirement: Optional

Table 81 describes class CIM_HostedService (Switch (ComputerSystem) to ZoneService).

Table 81 - SMI Referenced Properties/Methods for CIM_HostedService (Switch (ComputerSystem) to ZoneService)

Properties	Flags	Requirement	Description & Notes
Antecedent		Mandatory	The reference to the ComputerSystem representing the switch.
Dependent		Mandatory	The reference to the ZoneService.

6.10.3 CIM_ZoneService (Zone Service)

The service that allows for all of the zoning configuration changes.

Created By: Static

Modified By: Static

Deleted By: Static

Requirement: Mandatory

Table 82 describes class CIM_ZoneService (Zone Service).

Table 82 - SMI Referenced Properties/Methods for CIM_ZoneService (Zone Service)

Properties	Flags	Requirement	Description & Notes
SystemCreationClassName		Mandatory	The scoping System's CreationClassName.
SystemName		Mandatory	The scoping System's Name.
CreationClassName		Mandatory	The Class Name.
Name		Mandatory	Opaque.
OperationalStatus		Mandatory	Status of Zoning Service.
SessionState		Mandatory	State of session. Valid values are "Starting", "Ended".
RequestedSessionState		Mandatory	The requested session state from the client. The valid values that can be set are "Start", "End", and "Terminate".
DefaultZoningState		Mandatory	
CreateZoneSet()		Mandatory	The method creates a ZoneSet and associates it to the System (AdminDomain representing the Fabric or the ComputerSystem representing the Switch) that the ZoneService is hosted on.
CreateZone()		Mandatory	The method creates a Zone and associates it to System (AdminDomain representing the Fabric or the ComputerSystem representing the Switch) that the ZoneService is hosted on.
CreateZoneMembershipSettingData()		Mandatory	The method creates a ZoneMembershipSettingData (a zone member) and adds it to the specified Zone or NamedAddressCollection representing a Fibre Channel Node.
AddZone()		Mandatory	The method adds to the specified ZoneSet the specified Zone.
AddZoneMembershipSettingData()		Mandatory	The method adds to the specified Zone or NamedAddressCollection representing the Fibre Channel Node the specified ZoneMembershipSettingData (a zone member).
ActivateZoneSet()		Mandatory	The method activates the specified ZoneSet.
SessionControl()		Mandatory	The method enables a client to request a lock of the fabric to begin zoning configuration changes.

STABLE

Zone Control Subprofile

IMPLEMENTED

7 FDMI Subprofile

7.1 Description

The Fabric-Device Management Interface (FDMI) enables the management of devices such as HBAs through the Fabric. The FDMI complements data in the Fabric Profile. It allows for any entity in the Fabric to expose through SMI the HBA information without having an agent resident on the Host containing the HBA. Figure 10 shows an FDMI instance.

This profile only addresses HBA type devices. The HBA Management Interface defined by FDMI is a subset of interface defined by the Fibre Channel HBA API specification, as exposed by *Storage Management Technical Specification, Part 7 Host Elements, 1.6.1 Rev 6 5 FC HBA Profile*.

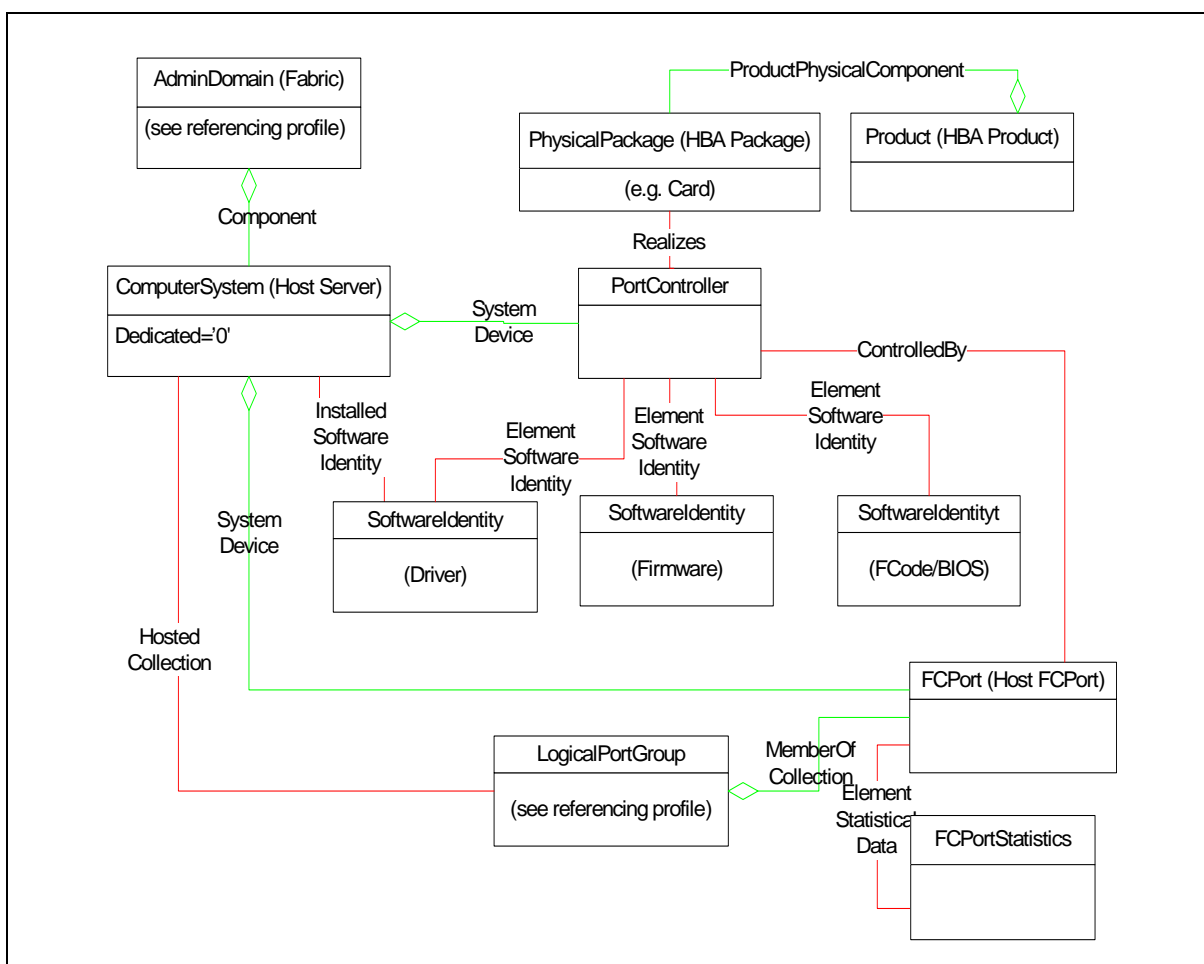


Figure 10 - FDMI Instance

7.2 Health and Fault Management

None

7.3 Cascading Considerations

None

7.4 Dependencies on Profiles, Subprofiles, and Packages

Related Profiles for FDMI: Not defined in this standard.

7.5 Methods of this Profile

None

7.6 Client Considerations and Recipes

None

7.7 Registered Name and Version

FDMI version 1.4.0 (Component Profile)

7.8 CIM Elements

Table 83 describes the CIM elements for FDMI.

Table 83 - CIM Elements for FDMI

Element Name	Requirement	Description
7.8.1 CIM_Component (Host Server to Fabric)	Mandatory	Aggregates Hosts (Platforms) in the AdminDomain that represents the Fabric.
7.8.2 CIM_ComputerSystem (Host Server)	Mandatory	The System the HBA is within.
7.8.3 CIM_ControlledBy	Mandatory	Associates the FCPorts of the Host Server with the PortController.
7.8.4 CIM_ElementSoftwareIdentity	Mandatory	Associates the SoftwareIdentity to the HBA.
7.8.5 CIM_FCPort (Host FCPort)	Mandatory	The HBA Fibre Channel Port.
7.8.6 CIM_HostedCollection (System to LogicalPortGroup)	Mandatory	Associates the LogicalPortGroup (Fibre Channel Node) to the hosting System.
7.8.7 CIM_InstalledSoftwareIdentity	Mandatory	Associates the SoftwareIdentity representing the driver to the System it is installed on.
7.8.8 CIM_MemberOfCollection (LogicalPortGroup to FCPort)	Mandatory	Associates FCPort to the LogicalPortGroup.
7.8.9 CIM_PhysicalPackage (HBA Package)	Mandatory	The physical package that the HBA is contained in.
7.8.10 CIM_PortController	Mandatory	The HBA.
7.8.11 CIM_Product (HBA Product)	Mandatory	The product information for the HBA.
7.8.12 CIM_ProductPhysicalComponent	Mandatory	Associates the Product to the PhysicalPackage.
7.8.13 CIM_Realizes	Mandatory	Associates the PhysicalPackage to the PortController.
7.8.14 CIM_SoftwareIdentity (Driver)	Mandatory	The software for the driver.
7.8.15 CIM_SoftwareIdentity (Firmware)	Mandatory	The software for the firmware.
7.8.16 CIM_SoftwareIdentity (Option ROM)	Mandatory	The software for the Option ROM.

Table 83 - CIM Elements for FDMI

Element Name	Requirement	Description
7.8.17 CIM_SystemDevice (ComputerSystem to FCPort)	Mandatory	Associates the FCPort to the Host Server ComputerSystem.
7.8.18 CIM_SystemDevice (ComputerSystem to PortController)	Mandatory	Associates the Host Server ComputerSystem with the PortController.

7.8.1 CIM_Component (Host Server to Fabric)

Aggregates Hosts (Platforms) in the AdminDomain that represents the Fabric.

Created By: Static

Modified By: Static

Deleted By: Static

Requirement: Mandatory

Table 84 describes class CIM_Component (Host Server to Fabric).

Table 84 - SMI Referenced Properties/Methods for CIM_Component (Host Server to Fabric)

Properties	Flags	Requirement	Description & Notes
PartComponent		Mandatory	Reference to a Host Server ComputerSystem.
GroupComponent		Mandatory	Reference to the AdminDomain representing the Fabric.

7.8.2 CIM_ComputerSystem (Host Server)

The system the HBA is within. It is identified using Host Name from the FDMI interface.

Created By: Static

Modified By: Static

Deleted By: Static

Requirement: Mandatory

Table 85 describes class CIM_ComputerSystem (Host Server).

Table 85 - SMI Referenced Properties/Methods for CIM_ComputerSystem (Host Server)

Properties	Flags	Requirement	Description & Notes
CreationClassName		Mandatory	Name of Class.
Name		Mandatory	The FDMI name of the host containing the Device. The key identifier helping in discovery to determine which HBAs are in the same host.
ElementName		Mandatory	The Platform Label.
NameFormat		Mandatory	
Dedicated		Mandatory	For a FC-GS Platform Type of Host, this shall be 'Not Dedicated' (0).

7.8.3 CIM_ControlledBy

Associates the FCPorts of the Host Server with the PortController.

Created By: Static

Modified By: Static
 Deleted By: Static
 Requirement: Mandatory

Table 86 describes class CIM_ControlledBy.

Table 86 - SMI Referenced Properties/Methods for CIM_ControlledBy

Properties	Flags	Requirement	Description & Notes
Dependent		Mandatory	A reference to an instance of a Host Server FCPort.
Antecedent		Mandatory	The reference to the PortController.

7.8.4 CIM_ElementSoftwareIdentity

Associates the SoftwareIdentities representing the various software for the HBA to the PortController representing the HBA.

Created By: Static
 Modified By: Static
 Deleted By: Static
 Requirement: Mandatory

Table 87 describes class CIM_ElementSoftwareIdentity.

Table 87 - SMI Referenced Properties/Methods for CIM_ElementSoftwareIdentity

Properties	Flags	Requirement	Description & Notes
Antecedent		Mandatory	A reference to an instance of software (Firmware, Driver or Option ROM).
Dependent		Mandatory	A reference to the HBA PortController.

7.8.5 CIM_FCPort (Host FCPort)

The HBA Fibre Channel Port.

Created By: Static
 Modified By: Static
 Deleted By: Static
 Requirement: Mandatory

Table 88 describes class CIM_FCPort (Host FCPort).

Table 88 - SMI Referenced Properties/Methods for CIM_FCPort (Host FCPort)

Properties	Flags	Requirement	Description & Notes
SystemCreationClassName		Mandatory	The scoping System's CreationClassName.
SystemName		Mandatory	The scoping System's Name.
CreationClassName		Mandatory	Name of Class.
DeviceID		Mandatory	Opaque.

Table 88 - SMI Referenced Properties/Methods for CIM_FCPort (Host FCPort)

Properties	Flags	Requirement	Description & Notes
ElementName		Mandatory	Port Symbolic Name if available. Otherwise NULL. If the underlying implementation includes characters that are illegal in CIM strings, then truncate before the first of those characters.
LinkTechnology		Mandatory	'FC'.
PermanentAddress		Mandatory	Fibre Channel Port WWN.
NetworkAddresses	C	Mandatory	Fibre Channel ID (FCID). Expressed as 8 un-separated upper case hex digits (see Table 4 for more information about formats).
ActiveFC4Types		Mandatory	The active Fibre Channel FC-4 protocol.
SupportedFC4Types		Optional	An array of integers indicating the Fibre Channel FC-4 protocols supported EXPERIMENTAL When supporting FC-SB, this property shall be either '27' (FC-SB-2 Channel) for Host Ports or '28' (FC-SB-2 Control Unit) for targets.
SupportedCOS		Optional	An array of integers indicating the Fibre Channel Classes of Service that are supported.
PortType		Mandatory	The specific port type currently enabled (from FC-GS Port.Type).
Speed		Optional	Speed of zero represents a link not established. 1Gb is 1062500000 bps 2Gb is 2125000000 bps 4Gb is 4250000000 bps 10Gb single channel variants are 10518750000 bps 10Gb four channel variants are 12750000000 bps This is the raw bit rate.

7.8.6 CIM_HostedCollection (System to LogicalPortGroup)

Associates the LogicalPortGroup (Fibre Channel Node) to the hosting System.

Created By: Static

Modified By: Static

Deleted By: Static

Requirement: Mandatory

Table 89 describes class CIM_HostedCollection (System to LogicalPortGroup).

Table 89 - SMI Referenced Properties/Methods for CIM_HostedCollection (System to LogicalPortGroup)

Properties	Flags	Requirement	Description & Notes
Antecedent		Mandatory	The Host Server ComputerSystem.
Dependent		Mandatory	The LogicalPortGroup.

7.8.7 CIM_InstalledSoftwareIdentity

Associates the SoftwareIdentity representing the driver to the System it is installed on.

Created By: Static
 Modified By: Static
 Deleted By: Static
 Requirement: Mandatory

Table 90 describes class CIM_InstalledSoftwareIdentity.

Table 90 - SMI Referenced Properties/Methods for CIM_InstalledSoftwareIdentity

Properties	Flags	Requirement	Description & Notes
InstalledSoftware		Mandatory	A reference to Driver Software.
System		Mandatory	A reference to the Host Server ComputerSystem.

7.8.8 CIM_MemberOfCollection (LogicalPortGroup to FCPort)

Associates FCPort to the LogicalPortGroup.

Created By: Static
 Modified By: Static
 Deleted By: Static
 Requirement: Mandatory

Table 91 describes class CIM_MemberOfCollection (LogicalPortGroup to FCPort).

Table 91 - SMI Referenced Properties/Methods for CIM_MemberOfCollection (LogicalPortGroup to FCPort)

Properties	Flags	Requirement	Description & Notes
Collection		Mandatory	A reference to a LogicalPortGroup on the Host Server.
Member		Mandatory	A reference to an FCPort on the Host Server.

7.8.9 CIM_PhysicalPackage (HBA Package)

The physical package that the HBA is contained by. It can be simply a PhysicalPackage that the system and HBA is contained within. If it is known that the HBA is on a separate board, Card (a subclass of PhysicalPackage) can be used.

Created By: Static
 Modified By: Static
 Deleted By: Static
 Requirement: Mandatory

Table 92 describes class CIM_PhysicalPackage (HBA Package).

Table 92 - SMI Referenced Properties/Methods for CIM_PhysicalPackage (HBA Package)

Properties	Flags	Requirement	Description & Notes
CreationClassName		Mandatory	Name of Class.
Tag		Mandatory	An arbitrary string that uniquely identifies the PhysicalPackage.
ElementName		Optional	User Friendly name. This property is OPTIONAL.

Table 92 - SMI Referenced Properties/Methods for CIM_PhysicalPackage (HBA Package)

Properties	Flags	Requirement	Description & Notes
Name		Optional	
Manufacturer		Mandatory	
Model		Mandatory	
SerialNumber		Optional	
Version		Optional	
PartNumber		Optional	

7.8.10 CIM_PortController

The HBA. The HBA may have logical operations that can apply to it (e.g. OperationalStatus).

Created By: Static

Modified By: Static

Deleted By: Static

Requirement: Mandatory

Table 93 describes class CIM_PortController.

Table 93 - SMI Referenced Properties/Methods for CIM_PortController

Properties	Flags	Requirement	Description & Notes
SystemCreationClassName		Mandatory	
SystemName		Mandatory	
CreationClassName		Mandatory	
DeviceID		Mandatory	
ControllerType		Mandatory	

7.8.11 CIM_Product (HBA Product)

The product information for the HBA.

Created By: Static

Modified By: Static

Deleted By: Static

Requirement: Mandatory

Table 94 describes class CIM_Product (HBA Product).

Table 94 - SMI Referenced Properties/Methods for CIM_Product (HBA Product)

Properties	Flags	Requirement	Description & Notes
Name		Mandatory	Commonly used Product name.
IdentifyingNumber		Mandatory	Product identification such as a serial number.
Vendor		Mandatory	The manufacturer or the OEM.

Table 94 - SMI Referenced Properties/Methods for CIM_Product (HBA Product)

Properties	Flags	Requirement	Description & Notes
Version		Mandatory	Product version information.
ElementName		Mandatory	User Friendly name. Suggested use is Vendor, Version and product name.

7.8.12 CIM_ProductPhysicalComponent

Associates the Product to the PhysicalPackage. This is necessary to link the Product information to the HBA.

Created By: Static

Modified By: Static

Deleted By: Static

Requirement: Mandatory

Table 95 describes class CIM_ProductPhysicalComponent.

Table 95 - SMI Referenced Properties/Methods for CIM_ProductPhysicalComponent

Properties	Flags	Requirement	Description & Notes
GroupComponent		Mandatory	The product information (CIM_Product) for the HBA Package.
PartComponent		Mandatory	The Physical Package for the HBA.

7.8.13 CIM_Realizes

Associates the PhysicalPackage to the PortController.

Created By: Static

Modified By: Static

Deleted By: Static

Requirement: Mandatory

Table 96 describes class CIM_Realizes.

Table 96 - SMI Referenced Properties/Methods for CIM_Realizes

Properties	Flags	Requirement	Description & Notes
Antecedent		Mandatory	The Physical Package for the HBA.
Dependent		Mandatory	The PortController of the HBA.

7.8.14 CIM_SoftwareIdentity (Driver)

The software for the driver.

Created By: Static

Modified By: Static

Deleted By: Static

Requirement: Mandatory

Table 97 describes class CIM_SoftwareIdentity (Driver).

Table 97 - SMI Referenced Properties/Methods for CIM_SoftwareIdentity (Driver)

Properties	Flags	Requirement	Description & Notes
InstanceID		Mandatory	
VersionString		Mandatory	
Manufacturer		Mandatory	
BuildNumber		Optional	
MajorVersion		Optional	
RevisionNumber		Optional	
MinorVersion		Optional	
Classifications		Mandatory	

7.8.15 CIM_SoftwareIdentity (Firmware)

The software for the firmware.

Created By: Static

Modified By: Static

Deleted By: Static

Requirement: Mandatory

Table 98 describes class CIM_SoftwareIdentity (Firmware).

Table 98 - SMI Referenced Properties/Methods for CIM_SoftwareIdentity (Firmware)

Properties	Flags	Requirement	Description & Notes
InstanceID		Mandatory	
VersionString		Mandatory	
Manufacturer		Mandatory	
BuildNumber		Optional	
MajorVersion		Optional	
RevisionNumber		Optional	
MinorVersion		Optional	
Classifications		Mandatory	

7.8.16 CIM_SoftwareIdentity (Option ROM)

The software for the Option ROM.

Created By: Static

Modified By: Static

Deleted By: Static

Requirement: Mandatory

Table 99 describes class CIM_SoftwareIdentity (Option ROM).

Table 99 - SMI Referenced Properties/Methods for CIM_SoftwareIdentity (Option ROM)

Properties	Flags	Requirement	Description & Notes
InstanceID		Mandatory	
VersionString		Mandatory	
Manufacturer		Mandatory	
BuildNumber		Optional	
MajorVersion		Optional	
RevisionNumber		Optional	
MinorVersion		Optional	
Classifications		Mandatory	

7.8.17 CIM_SystemDevice (ComputerSystem to FCPort)

Associates the FCPort to the Host Server ComputerSystem.

Created By: Static

Modified By: Static

Deleted By: Static

Requirement: Mandatory

Table 100 describes class CIM_SystemDevice (ComputerSystem to FCPort).

Table 100 - SMI Referenced Properties/Methods for CIM_SystemDevice (ComputerSystem to FCPort)

Properties	Flags	Requirement	Description & Notes
PartComponent		Mandatory	A reference to a Host FCPort.
GroupComponent		Mandatory	A reference to the Host Server ComputerSystem.

7.8.18 CIM_SystemDevice (ComputerSystem to PortController)

Associates the Host Server ComputerSystem with the PortController.

Created By: Static

Modified By: Static

Deleted By: Static

Requirement: Mandatory

Table 101 describes class CIM_SystemDevice (ComputerSystem to PortController).

Table 101 - SMI Referenced Properties/Methods for CIM_SystemDevice (ComputerSystem to PortController)

Properties	Flags	Requirement	Description & Notes
PartComponent		Mandatory	A reference to the HBA PortController.
GroupComponent		Mandatory	A reference to the Host Server ComputerSystem.

IMPLEMENTED

EXPERIMENTAL

8 Fabric Path Performance Subprofile

8.1 Description

The Fabric Path Performance Subprofile extends the standard capabilities of obtaining performance associated to a port to identify the performance in the path defined by an initiator and target ProtocolEndpoint. In the current networking model, the path through the “cloud” is defined by NetworkPipe which is a class that is associated to a ProtocolEndpoint by EndpointOfNetworkPipe. Since the statistics model is defined to allow an association to any LogicalElement, the statistics collected for an NetworkPort, NetworkPortStatistics, can be associated to the NetworkPipe also. When a device supports the Fabric Path Performance Subprofile, it will instantiate the NetworkPipe and as it collects statistics will instantiate the StatisticalData as shown in Figure 11.

The class, StatisticsCollection, provides a mechanism to “collect” all the statistics associated to the NetworkPipes.

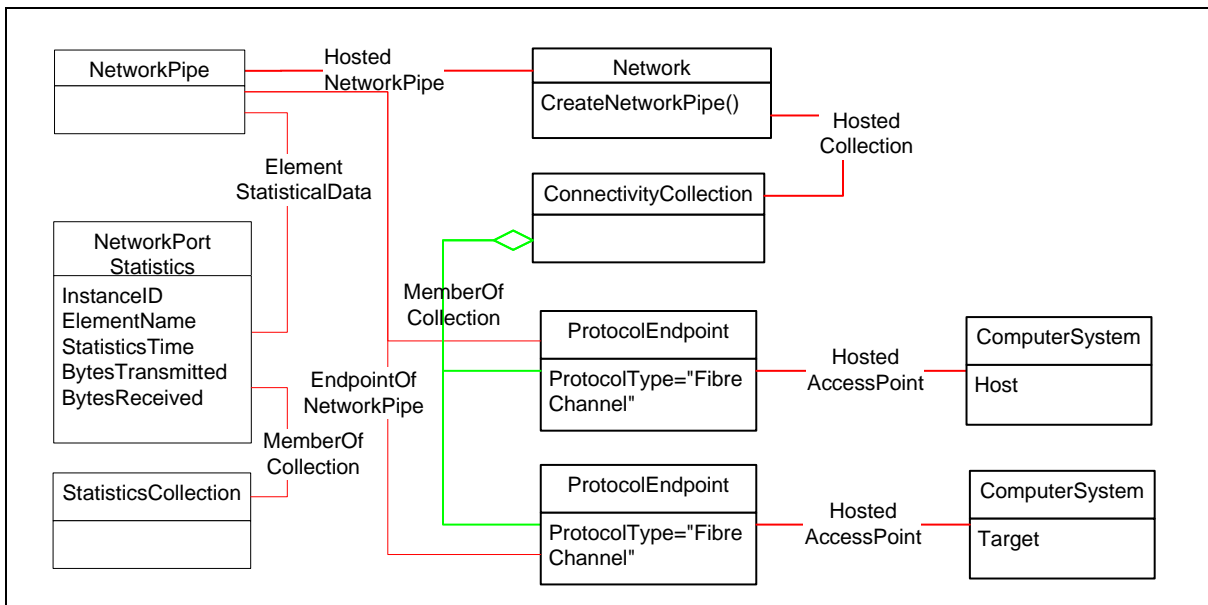


Figure 11 - Instance Diagram

8.2 Health and Fault Management

None

8.3 Dependencies on Profiles, Subprofiles, and Packages

None

8.4 Methods of this Profile

The method `CreateNetworkPipes` is used to indicate to the underlying instrumentation that statistics shall be collected between the sets of `ServiceAccessPoints`. A `NetworkPipe` maybe created for each set of statistics needed, though the underlying hardware may have maximum limitations. If the creation of the `NetworkPipes` are successful, the client can then discover the `NetworkPipes` and also the associated statics. It is implementation specific how long the statistics are collected. For instance, the `NetworkPipes` may persist as long as the hardware is not rebooted.

`CreateNetworkPipes (`

Fabric Path Performance Subprofile

```
[IN] Directionality[],  
[IN] CIM_ServiceAccessPoint REF SourceSAP[],  
[IN] CIM_ServiceAccessPoint REF SinksSAP[],  
[OUT] CIM_ConcreteJob REF Job,  
[OUT] CIM_NetworkPipe REF NetworkPipe[];
```

8.5 Client Considerations and Recipes

None

8.6 Registered Name and Version

Fabric Path Performance version 1.2.0 (Component Profile)

8.7 CIM Elements

Table 102 describes the CIM elements for Fabric Path Performance.

Table 102 - CIM Elements for Fabric Path Performance

Element Name	Requirement	Description
8.7.1 CIM_ElementStatisticalData	Mandatory	Associates FCPortStatistics to the FCPort.
8.7.2 CIM_EndpointOfNetworkPipe	Mandatory	Associates NetworkPipe to the ProtocolEndpoint.
8.7.3 CIM_HostedCollection	Mandatory	Associates the Statistics Collection to the Network representing the fabric.
8.7.4 CIM_HostedNetworkPipe	Mandatory	Associates NetworkPipe to the Network.
8.7.5 CIM_MemberOfCollection	Mandatory	Associates the NetworkPortStatistics to the StatisticsCollection.
8.7.6 CIM_Network	Mandatory	Subclass of AdminDomain representing the fabric.
8.7.7 CIM_NetworkPipe	Mandatory	Pipe through the cloud from an initiator to the target.
8.7.8 CIM_NetworkPortStatistics	Mandatory	NetworkPort Statistics of the NetworkPipe.
8.7.9 CIM_ProtocolEndpoint	Mandatory	The initiator or target (ends of the NetworkPipe).
8.7.10 CIM_StatisticsCollection	Mandatory	Collection to aggregate the NetworkPipe statistics.

8.7.1 CIM_ElementStatisticalData

Associates the NetworkPortStatistics being collected by the monitor to the NetworkPipe (representing the monitor and defining the path being monitored).

Created By: Static

Modified By: Static

Deleted By: Static

Requirement: Mandatory

Table 103 describes class CIM_ElementStatisticalData.

Table 103 - SMI Referenced Properties/Methods for CIM_ElementStatisticalData

Properties	Flags	Requirement	Description & Notes
ManagedElement		Mandatory	Reference to NetworkPipe representing the monitor that collects the statistics.
Stats		Mandatory	Reference to NetworkPortStatistics that the monitor is collecting.

8.7.2 CIM_EndpointOfNetworkPipe

Associates NetworkPipe representing the monitor to the ProtocolEndpoint. The set of associations (both ends of the NetworkPipe) represent the path that statistics are collected for.

Created By: Static

Modified By: Static

Deleted By: Static

Requirement: Mandatory

Table 104 describes class CIM_EndpointOfNetworkPipe.

Table 104 - SMI Referenced Properties/Methods for CIM_EndpointOfNetworkPipe

Properties	Flags	Requirement	Description & Notes
Antecedent		Mandatory	Reference to ProtocolEndpoint representing one end of the path to collect statistics for.
Dependent		Mandatory	Reference to NetworkPipe representing the monitor.

8.7.3 CIM_HostedCollection

Associates the Statistics Collection to the Network representing the fabric.

Created By: Static

Modified By: Static

Deleted By: Static

Requirement: Mandatory

Table 105 describes class CIM_HostedCollection.

Table 105 - SMI Referenced Properties/Methods for CIM_HostedCollection

Properties	Flags	Requirement	Description & Notes
Dependent		Mandatory	Reference to ConnectivityCollection which collects all ProtocolEndpoints in a fabric.
Antecedent		Mandatory	Reference to Network representing the fabric.

8.7.4 CIM_HostedNetworkPipe

Associates NetworkPipe to the Network representing the fabric. To find all the monitors running in a fabric, this association should be used.

Created By: Static

Modified By: Static

Deleted By: Static
Requirement: Mandatory

Table 106 describes class CIM_HostedNetworkPipe.

Table 106 - SMI Referenced Properties/Methods for CIM_HostedNetworkPipe

Properties	Flags	Requirement	Description & Notes
Antecedent		Mandatory	Reference to Network representing fabric.
Dependent		Mandatory	Reference to NetworkPipe representing the monitor that collects the statistics.

8.7.5 CIM_MemberOfCollection

Associates the NetworkPortStatistics to the StatisticsCollection which collects all of the statistics for fabric path performance.

Created By: Static
Modified By: Static
Deleted By: Static
Requirement: Mandatory

Table 107 describes class CIM_MemberOfCollection.

Table 107 - SMI Referenced Properties/Methods for CIM_MemberOfCollection

Properties	Flags	Requirement	Description & Notes
Collection		Mandatory	Reference to StatisticsCollection that collects all statistics that are for fabric path performance.
Member		Mandatory	Reference to the statistics for fabric path performance.

8.7.6 CIM_Network

Subclass of AdminDomain that represents the fabric. NetworkPipes are scoped to the Network via the association HostedNetworkPipe. The Network has the method CreateNetworkPipe() to create the NetworkPipes needed to define monitors within the fabric to collect the path statistics.

Created By: Static
Modified By: Static
Deleted By: Static
Requirement: Mandatory

Table 108 describes class CIM_Network.

Table 108 - SMI Referenced Properties/Methods for CIM_Network

Properties	Flags	Requirement	Description & Notes
CreationClassName		Mandatory	Name of class.
Name		Mandatory	WWN of Fabric.
NameFormat		Mandatory	"WWN".

Table 108 - SMI Referenced Properties/Methods for CIM_Network

Properties	Flags	Requirement	Description & Notes
NameFormat		Mandatory	
CreateNetworkPipe()		Optional	

8.7.7 CIM_NetworkPipe

The NetworkPipe for this profile is instantiated to provide a mechanism to indicate monitors are in place in the network to collect statistical information. NetworkPortStatistics are associated to the pipe via the association ElementStatisticalData to NetworkPortStatistics and subclasses of NetworkPortStatistics (e.g. FCPortStatistics).

Created By: Static

Modified By: Static

Deleted By: Static

Requirement: Mandatory

Table 109 describes class CIM_NetworkPipe.

Table 109 - SMI Referenced Properties/Methods for CIM_NetworkPipe

Properties	Flags	Requirement	Description & Notes
InstanceID		Mandatory	
ElementName		Optional	

8.7.8 CIM_NetworkPortStatistics

Network Port Statistics represent a snapshots of counters for the NetworkPipe. An instance of this class can represent the statistics for the current statistics, archived and consolidated statistics, or both.

Created By: Static

Modified By: Static

Deleted By: Static

Requirement: Mandatory

Table 110 describes class CIM_NetworkPortStatistics.

Table 110 - SMI Referenced Properties/Methods for CIM_NetworkPortStatistics

Properties	Flags	Requirement	Description & Notes
InstanceID		Mandatory	Opaque.
ElementName		Optional	TBS.
StatisticTime		Optional	The time the statistics were collected.
BytesTransmitted		Mandatory	The total number of bytes that are transmitted, including framing characters.
BytesReceived		Mandatory	The total number of bytes that are received, including framing characters.

8.7.9 CIM_ProtocolEndpoint

Created By: Static
 Modified By: Static
 Deleted By: Static
 Requirement: Mandatory

Table 111 describes class CIM_ProtocolEndpoint.

Table 111 - SMI Referenced Properties/Methods for CIM_ProtocolEndpoint

Properties	Flags	Requirement	Description & Notes
SystemCreationClassName		Mandatory	
SystemName		Mandatory	
CreationClassName		Mandatory	
Name		Mandatory	
NameFormat		Mandatory	
ProtocolIFType		Mandatory	

8.7.10 CIM_StatisticsCollection

The collection, hosted to the Network representing the Fabric, is used to aggregate all the statistics for the NetworkPipes.

Created By: Static
 Modified By: Static
 Deleted By: Static
 Requirement: Mandatory

Table 112 describes class CIM_StatisticsCollection.

Table 112 - SMI Referenced Properties/Methods for CIM_StatisticsCollection

Properties	Flags	Requirement	Description & Notes
InstanceID		Mandatory	Opaque.
ElementName		Mandatory	TBS.
SampleInterval		Mandatory	The interval statistics the statistics associated to this collection are collected. This value indicates to clients the minimum period statistics should be sampled.
TimeLastSampled		Mandatory	TBS.

EXPERIMENTAL

EXPERIMENTAL

9 Fibre Channel Security Subprofile

9.1 Description

Fibre Channel Security Subprofile describes the Fibre Channel Security Protocol (FC-SP) management policies. This profile is a specialization of the Authorization Subprofile.

The FC-SP Policies can be broken down into four parts:

- Membership
- Connectivity
- Management Access
- Attributes

FC-SP Membership policy is composed of two components, Switch Membership and Device Membership. Switch Membership is fabric-wide information which defines which switches are allowed to be part of a fabric, controls physical management access, and allows switch characteristics to be specified. Device Membership is fabric-wide information which defines which devices are allowed to be part of a fabric, controls in-band management access, and allows device characteristics to be specified. FC-SP Connectivity policy defines connectivity restrictions on a per-switch basis.

This subprofile describes exposing the FC-SP Membership and Connectivity policies. It does not define physical management and switch characteristics as part of the Membership policy. The specialization of the Authorization Subprofile primarily includes the subclassing of Identity to StorageHardwareID to identify the AuthorizedSubject and AuthorizedTargets.

For the Membership Policy, the AuthorizedTarget is always the Fabric identified by its Fabric Name and the two possible AuthorizedSubjects are the switch identified by its switch name (WWN) and a device by

its node WWN. In Figure 12, the diagram shows both a switch having membership and a device having membership.

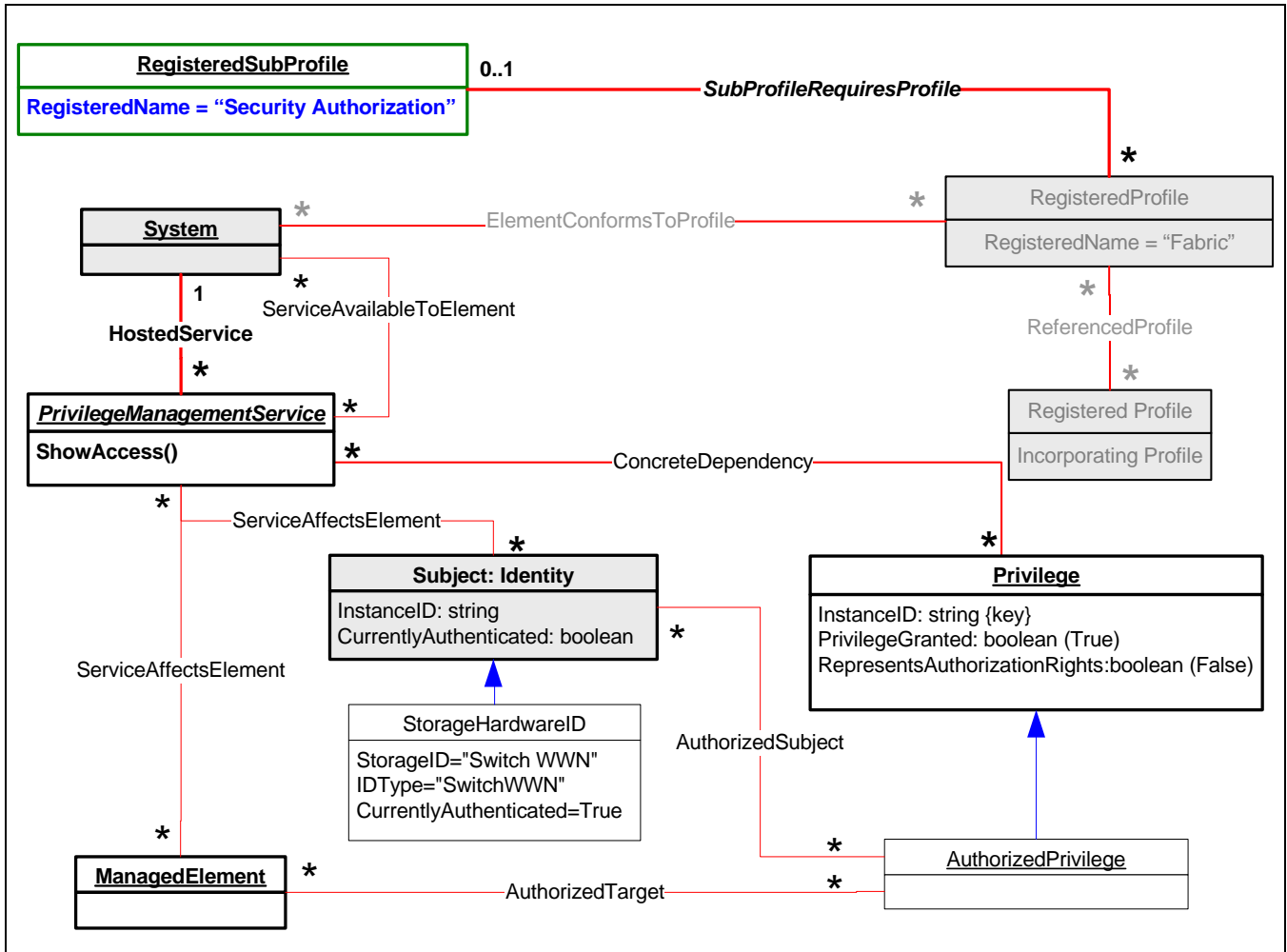


Figure 12 - Specialization of Security Authorization Subprofile for Membership Policy

Figure 13 shows both a switch having Switch Membership and a device having Device Membership. A switch is identified by its switch name (WWN) and a device by its node WWN.

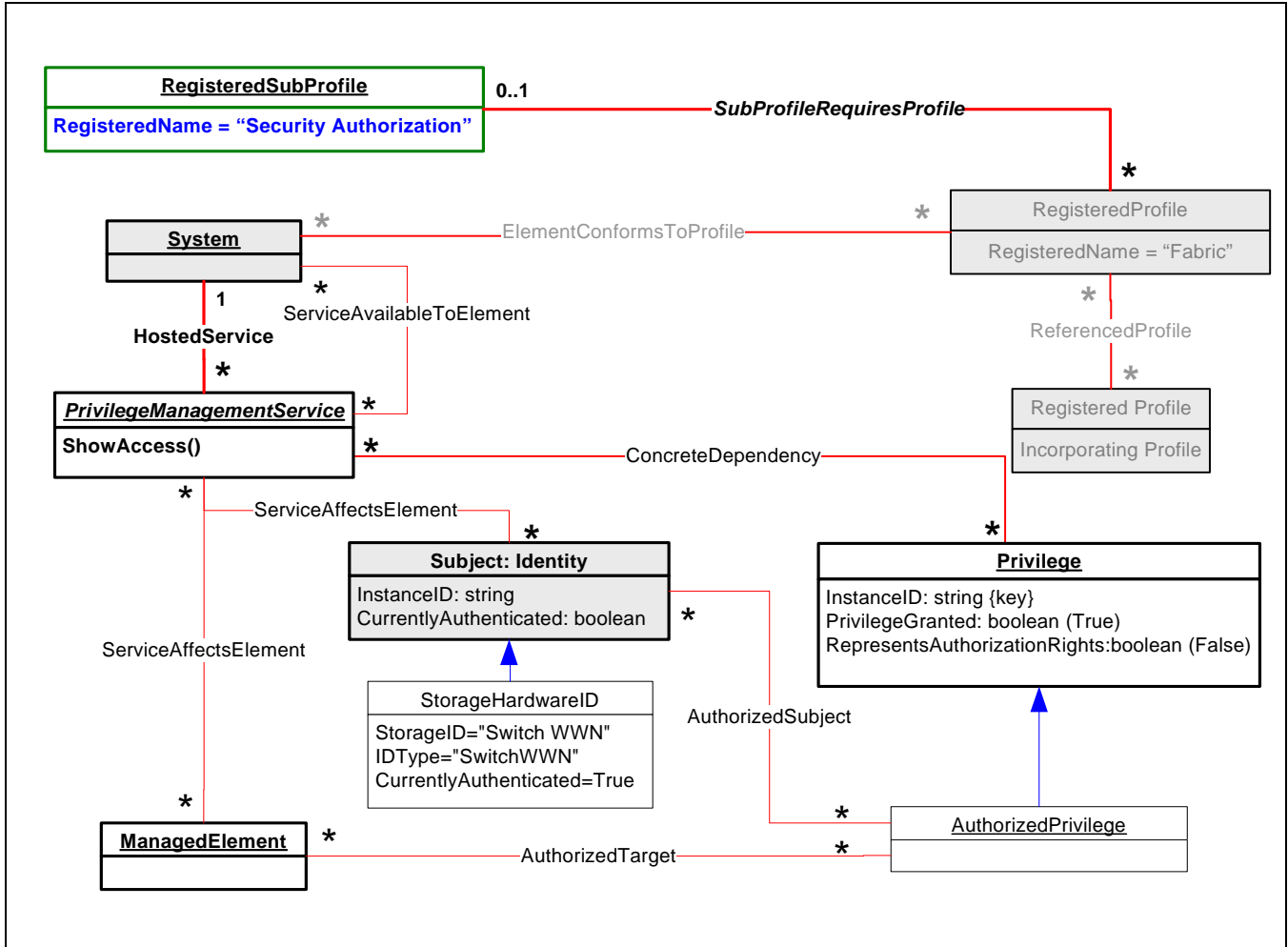


Figure 13 - Specialization of Security Authorization Subprofile for Connectivity Policy

9.2 Health and Fault Management Consideration

None

9.3 Cascading Considerations

None

9.4 Supported Profiles, Subprofiles, and Packages

None

9.5 Methods of the Profile

9.6 Client Considerations and Recipes

None

9.7 Registered Name and Version

FabricSecurity version 1.2.0 (Component Profile)

9.8 CIM Elements

Table 113 describes the CIM elements for FabricSecurity.

Table 113 - CIM Elements for FabricSecurity

Element Name	Requirement	Description
9.8.1 CIM_AuthorizationService	Mandatory	The service controlling the security policy in the fabric.
9.8.2 CIM_AuthorizedPrivilege	Mandatory	Privilege granted to the Switch or the Node.
9.8.3 CIM_AuthorizedSubject	Mandatory	The association of the Node or Switch to its Privilege.
9.8.4 CIM_AuthorizedTarget	Mandatory	The association of the privilege (or a switch or node) to the target (switch or the fabric) that the switch or node is being granted access to.
9.8.5 CIM_HostedService	Mandatory	Associates the AuthorizationService to the AdminDomain that is hosting it.
9.8.6 CIM_ServiceAffectsElement (ManagedElement to Service)	Mandatory	Service Affects Managed Element.
9.8.7 CIM_ServiceAffectsElement (StorageHardwareID to Service)	Mandatory	Service affects StorageHardwareID.
9.8.8 CIM_ServiceAvailableToElement (Fabric AdminDomain to Service)	Mandatory	Service available to fabric.
9.8.9 CIM_StorageHardwareID	Mandatory	The class that identifies the subject to be granted access.

9.8.1 CIM_AuthorizationService

Created By: Static

Modified By: Static

Deleted By: Static

Requirement: Mandatory

Table 114 describes class CIM_AuthorizationService.

Table 114 - SMI Referenced Properties/Methods for CIM_AuthorizationService

Properties	Flags	Requirement	Description & Notes
SystemCreationClassName		Mandatory	Name of System class.
SystemName		Mandatory	Name of class.
CreationClassName		Mandatory	Name of AuthorizationService class.
Name		Mandatory	Uniquely identifies the service in the fabric.

9.8.2 CIM_AuthorizedPrivilege

Created By: Static

Modified By: Static
 Deleted By: Static
 Requirement: Mandatory

Table 115 describes class CIM_AuthorizedPrivilege.

Table 115 - SMI Referenced Properties/Methods for CIM_AuthorizedPrivilege

Properties	Flags	Requirement	Description & Notes
InstanceID		Mandatory	Opaque.
PrivilegeGranted		Mandatory	
RepresentsAuthorizationRights		Mandatory	

9.8.3 CIM_AuthorizedSubject

Created By: Static
 Modified By: Static
 Deleted By: Static
 Requirement: Mandatory

Table 116 describes class CIM_AuthorizedSubject.

Table 116 - SMI Referenced Properties/Methods for CIM_AuthorizedSubject

Properties	Flags	Requirement	Description & Notes
PrivilegedElement		Mandatory	
Privilege		Mandatory	

9.8.4 CIM_AuthorizedTarget

Created By: Static
 Modified By: Static
 Deleted By: Static
 Requirement: Mandatory

Table 117 describes class CIM_AuthorizedTarget.

Table 117 - SMI Referenced Properties/Methods for CIM_AuthorizedTarget

Properties	Flags	Requirement	Description & Notes
Privilege		Mandatory	
TargetElement		Mandatory	Reference to target element.

9.8.5 CIM_HostedService

Created By: Static
 Modified By: Static
 Deleted By: Static
 Requirement: Mandatory

Table 118 describes class CIM_HostedService.

Table 118 - SMI Referenced Properties/Methods for CIM_HostedService

Properties	Flags	Requirement	Description & Notes
Antecedent		Mandatory	AdminDomain representing the Fabric.
Dependent		Mandatory	AuthorizationService.

9.8.6 CIM_ServiceAffectsElement (ManagedElement to Service)

Created By: Static
 Modified By: Static
 Deleted By: Static
 Requirement: Mandatory

Table 119 describes class CIM_ServiceAffectsElement (ManagedElement to Service).

Table 119 - SMI Referenced Properties/Methods for CIM_ServiceAffectsElement (ManagedElement to Service)

Properties	Flags	Requirement	Description & Notes
AffectingElement		Mandatory	AuthorizationService.
AffectedElement		Mandatory	AdminDomain representing the Switch.

9.8.7 CIM_ServiceAffectsElement (StorageHardwareID to Service)

Created By: Static
 Modified By: Static
 Deleted By: Static
 Requirement: Mandatory

Table 120 describes class CIM_ServiceAffectsElement (StorageHardwareID to Service).

Table 120 - SMI Referenced Properties/Methods for CIM_ServiceAffectsElement (StorageHardwareID to Service)

Properties	Flags	Requirement	Description & Notes
AffectingElement		Mandatory	AuthorizationService.
AffectedElement		Mandatory	AdminDomain representing the Switch.

9.8.8 CIM_ServiceAvailableToElement (Fabric AdminDomain to Service)

Created By: Static
 Modified By: Static
 Deleted By: Static
 Requirement: Mandatory

Table 121 describes class CIM_ServiceAvailableToElement (Fabric AdminDomain to Service).

Table 121 - SMI Referenced Properties/Methods for CIM_ServiceAvailableToElement (Fabric AdminDomain to Service)

Properties	Flags	Requirement	Description & Notes
ServiceProvided		Mandatory	AuthorizationService.
UserOfService		Mandatory	AdminDomain representing the Fabric.

9.8.9 CIM_StorageHardwareID

Created By: Static
 Modified By: Static
 Deleted By: Static
 Requirement: Mandatory

Table 122 describes class CIM_StorageHardwareID.

Table 122 - SMI Referenced Properties/Methods for CIM_StorageHardwareID

Properties	Flags	Requirement	Description & Notes
InstanceID		Mandatory	Opaque.
StorageID		Mandatory	Node WWN, Switch WWN, Port WWN.
IDType		Mandatory	'NodeWWN' 'SwitchWWN' or PortWWN'.
CurrentlyAuthenticated		Mandatory	

EXPERIMENTAL

EXPERIMENTAL

10 Fabric Views Subprofile

10.1 Description

10.1.1 Synopsis

10.1.2 Overview

This Profile specifies View Classes for the Fabric Profiles.

View classes provide an optimization of retrieval of information provided by multiple (associated) instances in a Profile. There is no support for update of SNIA_ view classes instances. Update of a view class instance can only be accomplished by updating the base class instances from which the view is derived.

10.1.2.1 Goals of View Classes

10.1.2.1.1 Intended Goals

Goals that view classes are intended to address are:

- Get more data in one call to CIM Server.

The CIM model for fabrics involve a number of classes and associations. The objective is to allow discovery of the fabric model using view classes with a reduction in the number of association traversals required.

- Allow providers to optimize the Request.

In many cases, the data represented by a view class is actually kept (and returned) by a device as one entity. When the "normalized" CIM model is traversed many calls are made to retrieve that one entity. The provider takes the data from the one entity and carves it up for each CIM request. In many cases this involves retrieving the same entity multiple times. The objective is to allow a Provider to return the single entity in one SMI-S request (for data that is typically kept together by the device).

10.1.2.1.2 Additional Goals

- Do more things in one call to CIM Server.

An example would be retrieval or discovery of model information with fewer calls. However, this goal also extends to updating the CIM model (e.g., configuration actions). The view classes are not intended to help in the latter case. However, view classes should facilitate access to underlying classes in support of configuration operations.

It is important to note that the view classes proposal was based directly on experiences relating to the scalability and performance of SMI-S real-world implementations. The focus is on improving performance in large configurations (e.g., thousands of volumes and thousands of disk drives).

10.1.2.2 Specific Requirements and Objectives of View Classes

10.1.2.2.1 Pre-defined View Classes

In order to gain the desired performance advantage, it is felt that view classes would have to be pre-defined (in SMI-S) to allow provider optimization of the requested information.

- Enable Associator Calls to View Class instances.

It should be possible to retrieve a view class by an associators call to the class.

However, it is desired that the association should be clearly distinguished from existing associations on the base classes.

- Enable Associator Calls from View Class instances.

It should be possible to get related classes (e.g., base classes) from the view class by using associator calls.

Again, the associations used should be clearly distinguished from existing associations on the base classes.

- Allow View Classes to be used where real classes would

This certainly includes "read" intrinsics and as parameters of Extrinsic

However, at this time "Write" intrinsic support is deferred and use in Extrinsic (as IN or OUT parameters) is not covered in this release of SMI-S.

10.1.2.2.2 Support Life Cycle Indications on View Classes

This requirement is being deferred for consideration in a future release of SMI-S.

10.1.3 Class Diagram for Fabric Views View Classes

Figure 14 illustrates the class diagram for the Fabric view classes.

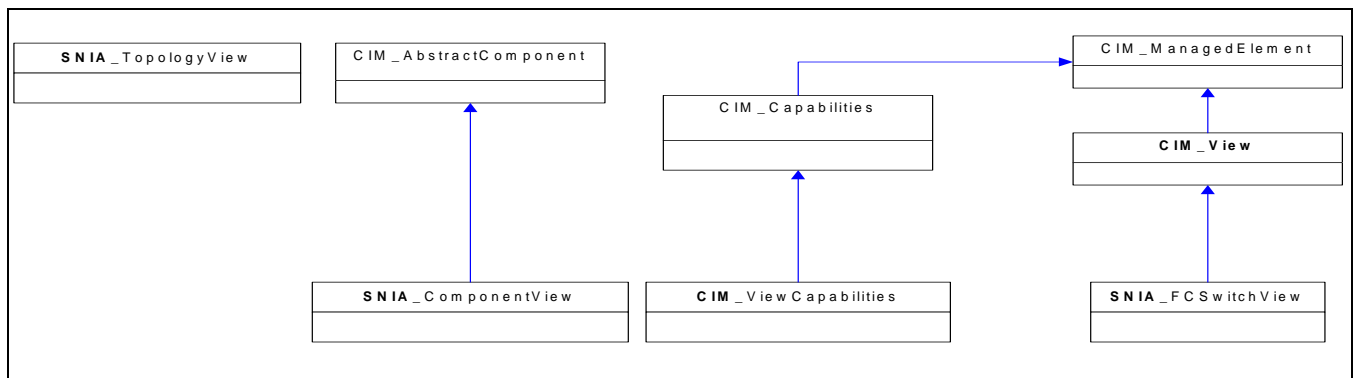


Figure 14 - Class Diagram for Fabric View Classes

The ViewCapabilities inherits from CIM_Capabilities. The FC_SwitchView class inherits from CIM_View. The TopologyView class is a top level association class. The Fabric Views profile has one subclass of CIM_AbstractComponent: SNIA_ComponentView. This associates the view to its scoping system.

10.1.3.1 View Class Capabilities

The implementation shall identify which view classes are implemented using a set of conditions. The model for determining whether or not the Fabric Views Profile is supported and which views are supported is illustrated in Figure 15.

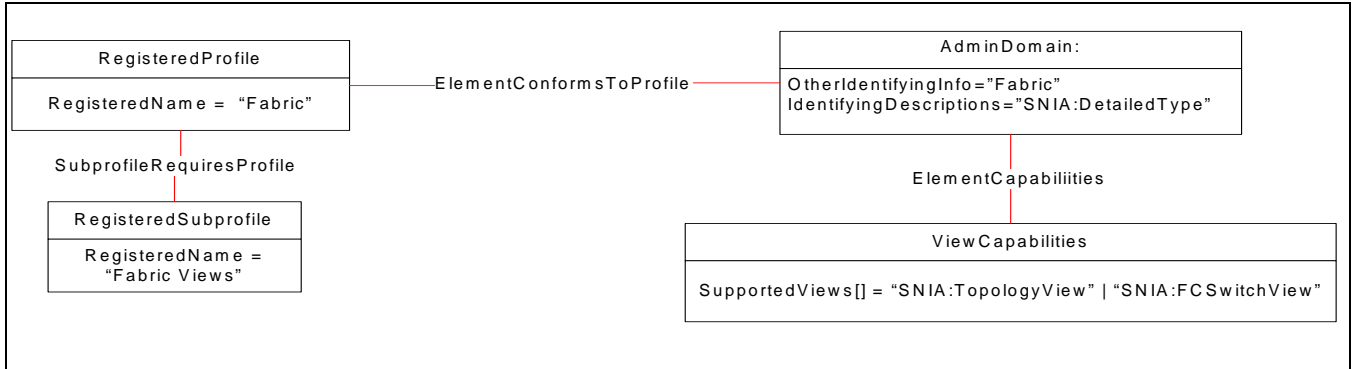


Figure 15 - Fabric View Class Capabilities

First a client may determine whether or not a profile implementation has implemented any view classes by looking for a RegisteredSubprofile with a RegisteredName of “Fabric Views”. If this RegisteredSubprofile exists then the profile supports some number of view classes.

Next a client would be able to determine which view classes are supported by an implementation by following the ElementConformsToProfile to the Fabric and then following the ElementCapabilities from the Fabric to the CIM_ViewCapabilities instance. There shall be one instance of the CIM_ViewCapabilities class for each Fabric if the profile supports the Fabric Views Subprofile. The CIM_ViewCapabilities instance shall have an array of strings (SupportedViews) that identify the view classes that are supported. For example, if the SupportedViews array includes the “SNIA:TopologyView” string, then the TopologyView class shall be supported.

10.1.4 Topology View

Discovering a topology for a large fibre channel fabric (thousands of ports) time-wise is expensive. The existing fabric profile requires traversals of three associations and two classes for each link. Using the view class reduces this to one enumeration of the view class itself for all links. The SNIA_TopologyView,

shown in Figure 16, provides the properties to be able to build a topology without having to do associators from the ProtocolEndpoint to the FCPort to the FCNode or FCSwitch.

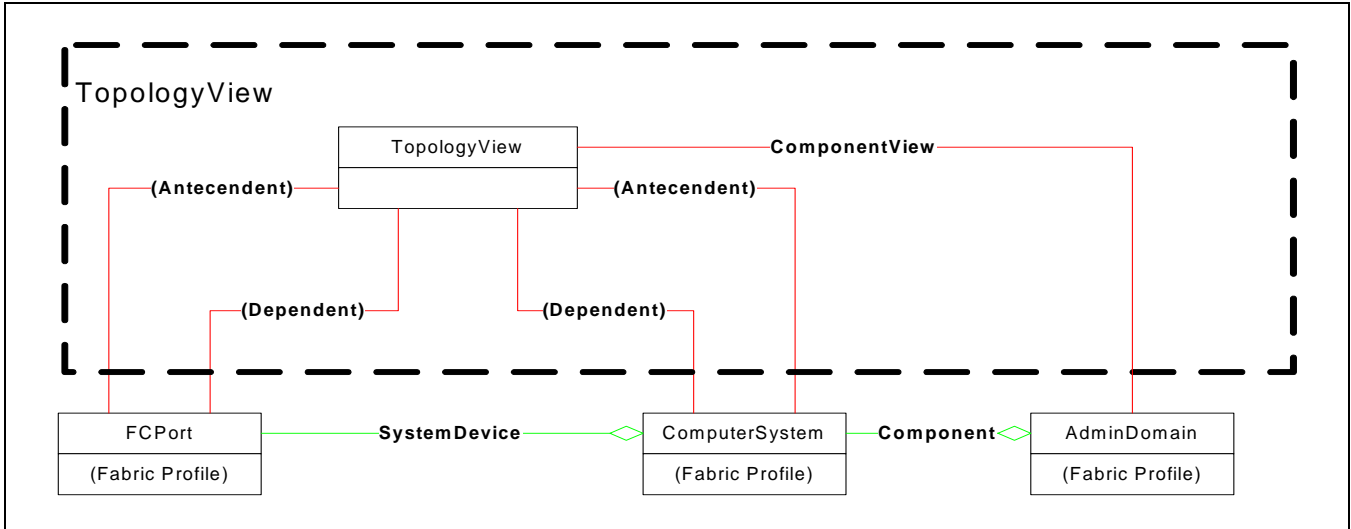


Figure 16 - Topology View Class

10.1.5 FCSwitch View

Discovering a fibre channel switch and its associated ports is expensive. The SNIA_FCSwitchView, shown in Figure 17, provides the properties to be able to discover all the switch properties for a Fibre Channel Switch and Ports without having to do associators from the ComputerSystem representing the Switch to FCPort, LogicalModule, Product, PhysicalPackage, SoftwareIdentity, FCSwitchCapabilities, FCPortCapabilities, AccessPoint, and Location.

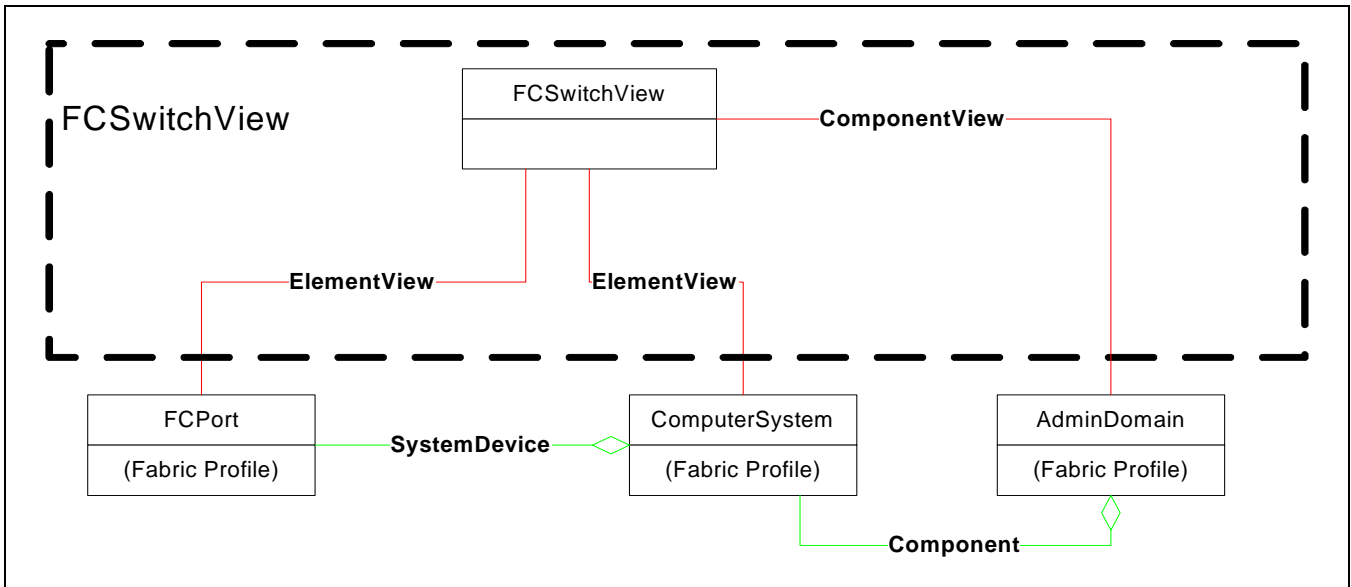


Figure 17 - FCSwitch View Class

10.2 Health and Fault Management Consideration

None

10.3 Cascading Considerations

None

10.4 Supported Profiles, Subprofiles, and Packages

Related Profiles for Fabric Views: Not defined in this standard.

10.5 Methods of the Profile

None

10.6 Client Considerations and Recipes

None

10.7 Registered Name and Version

Fabric Views version 1.6.0 (Component Profile)

CIM Schema Version: 2.28

10.8 CIM Elements

Table 123 describes the CIM elements for Fabric Views.

Table 123 - CIM Elements for Fabric Views

Element Name	Requirement	Description
10.8.1 CIM_ElementCapabilities (View Capabilities)	Mandatory	Associates the Fabric AdminDomain to the CIM_ViewCapabilities supported by the implementation.
10.8.2 CIM_ElementView (View to FC Port)	Conditional	Conditional requirement: Required if the array property CIM_ViewCapabilities.SupportedViews contains the string 'SNIA:FCSwitchView'. Associates the SNIA_FCSwitchView instances to corresponding the FC Port instance.
10.8.3 CIM_ElementView (View to Switch)	Conditional	Conditional requirement: Required if the array property CIM_ViewCapabilities.SupportedViews contains the string 'SNIA:FCSwitchView'. Associates the SNIA_FCSwitchView instances to corresponding the Fibre Channel Switch instance.
10.8.4 CIM_ViewCapabilities	Mandatory	The CIM_ViewCapabilities identifies the capabilities of the implementation of view classes.
10.8.5 SNIA_ComponentView (FCSwitchView to Fabric)	Conditional	Conditional requirement: Required if the array property CIM_ViewCapabilities.SupportedViews contains the string 'SNIA:FCSwitchView'. Associates the Fabric AdminDomain to the SNIA_FCSwitchView.
10.8.6 SNIA_ComponentView (TopologyView to Fabric)	Conditional	Conditional requirement: Required if the array property CIM_ViewCapabilities.SupportedViews contains the string 'SNIA:TopologyView'. Associates the Fabric AdminDomain to the SNIA_TopologyView.

Table 123 - CIM Elements for Fabric Views

Element Name	Requirement	Description
10.8.7 SNIA_FCSwitchView	Conditional	Conditional requirement: Required if the array property CIM_ViewCapabilities.SupportedViews contains the string 'SNIA:FCSwitchView'. The SNIA_FCSwitchView provides the properties for a Fibre Channel Switch.
10.8.8 SNIA_TopologyView	Conditional	Conditional requirement: Required if the array property CIM_ViewCapabilities.SupportedViews contains the string 'SNIA:TopologyView'. The SNIA_TopologyView provides the properties to be able to build a topology for a Fibre Channel Fabric.

10.8.1 CIM_ElementCapabilities (View Capabilities)

Created By: Static

Modified By: Static

Deleted By: Static

Requirement: Mandatory

Table 124 describes class CIM_ElementCapabilities (View Capabilities).

Table 124 - SMI Referenced Properties/Methods for CIM_ElementCapabilities (View Capabilities)

Properties	Flags	Requirement	Description & Notes
Capabilities		Mandatory	The ViewCapabilities.
ManagedElement		Mandatory	The Fabric AdminDomain that has the ViewCapabilities.

10.8.2 CIM_ElementView (View to FC Port)

Associates the SNIA_FCSwitchView instances to corresponding the FC Port instance.

Created By: Static

Modified By: Static

Deleted By: Static

Requirement: Required if the array property CIM_ViewCapabilities.SupportedViews contains the string 'SNIA:FCSwitchView'.

Table 125 describes class CIM_ElementView (View to FC Port).

Table 125 - SMI Referenced Properties/Methods for CIM_ElementView (View to FC Port)

Properties	Flags	Requirement	Description & Notes
Antecedent		Mandatory	The base CIM_FCPort instance on which the SNIA_FCSwitchView instance is based.
Dependent		Mandatory	The SNIA_FCSwitchView instance that is based on the CIM_FCPort instance.

10.8.3 CIM_ElementView (View to Switch)

Associates the SNIA_FCSwitchView instances to corresponding the Fibre Channel Switch instance.

Created By: Static

Modified By: Static

Deleted By: Static

Requirement: Required if the array property CIM_ViewCapabilities.SupportedViews contains the string 'SNIA:FCSwitchView'.

Table 126 describes class CIM_ElementView (View to Switch).

Table 126 - SMI Referenced Properties/Methods for CIM_ElementView (View to Switch)

Properties	Flags	Requirement	Description & Notes
Antecedent		Mandatory	The base CIM_ComputerSystem (Switch) instance on which the SNIA_FCSwitchView instance is based.
Dependent		Mandatory	The SNIA_FCSwitchView instance that is based on the CIM_ComputerSystem (Switch) instance.

10.8.4 CIM_ViewCapabilities

The CIM_ViewCapabilities instance defines the capabilities of an implementation support for view classes. The CIM_ViewCapabilities is subclassed from CIM_Capabilities.

Created By: Static

Modified By: Static

Deleted By: Static

Requirement: Mandatory

Table 127 describes class CIM_ViewCapabilities.

Table 127 - SMI Referenced Properties/Methods for CIM_ViewCapabilities

Properties	Flags	Requirement	Description & Notes
InstanceID		Mandatory	An opaque, unique id for the view class capability of an implementation.
ElementName		Optional	A provider supplied user-Friendly Name for this CIM_ViewCapabilities element.
SupportedViews		Mandatory	This array of strings lists the view classes that are supported by the implementation. Supported string values are 'SNIA:TopologyView' or 'SNIA:FCSwitchView'.

10.8.5 SNIA_ComponentView (FCSwitchView to Fabric)

Associates the Fabric AdminDomain to the SNIA_FCSwitchView.

Created By: Static

Modified By: Static

Deleted By: Static

Requirement: Required if the array property CIM_ViewCapabilities.SupportedViews contains the string 'SNIA:FCSwitchView'.

Table 128 describes class SNIA_ComponentView (FCSwitchView to Fabric).

Table 128 - SMI Referenced Properties/Methods for SNIA_ComponentView (FCSwitchView to Fabric)

Properties	Flags	Requirement	Description & Notes
Antecedent		Mandatory	The Fabric the SwitchView instance belongs to.
Dependent		Mandatory	The FCSwitchView instance.

10.8.6 SNIA_ComponentView (TopologyView to Fabric)

Associates the Fabric AdminDomain to the SNIA_TopologyView. NOTE: This is an association (SNIA_ComponentView) to an association (SNIA_TopologyView).

Created By: Static

Modified By: Static

Deleted By: Static

Requirement: Required if the array property CIM_ViewCapabilities.SupportedViews contains the string 'SNIA:TopologyView'.

Table 129 describes class SNIA_ComponentView (TopologyView to Fabric).

Table 129 - SMI Referenced Properties/Methods for SNIA_ComponentView (TopologyView to Fabric)

Properties	Flags	Requirement	Description & Notes
Antecedent		Mandatory	The Fabric the TopologyView instance belongs to.
Dependent		Mandatory	The TopologyView instance.

10.8.7 SNIA_FCSwitchView

The SNIA_FCSwitchView provides the properties to be able to discover all the switch properties for a Fibre Channel Switch and Ports without having to do associators from the ComputerSystem representing the Switch to FCPort, FCSwitchCapabilities, FCPortCapabilities, LogicalModule, Product, PhysicalPackage, SoftwareIdentity, AccessPoint, and Location.

Created By: Static

Modified By: Static

Deleted By: Static

Requirement: Required if the array property CIM_ViewCapabilities.SupportedViews contains the string 'SNIA:FCSwitchView'.

Table 130 describes class SNIA_FCSwitchView.

Table 130 - SMI Referenced Properties/Methods for SNIA_FCSwitchView

Properties	Flags	Requirement	Description & Notes
InstanceID		Mandatory	Opaque.
SwitchWWN	C	Mandatory	A Name_Identifier that is associated with a Fibre Channel switch.
DomainID		Mandatory	The Domain ID of the Switch as identified in the OtherIdentifyingInfo property of the underlying Switch ComputerSystem instance.
ElementName		Optional	The Symbolic Name of the Switch.

Table 130 - SMI Referenced Properties/Methods for SNIA_FCSwitchView

Properties	Flags	Requirement	Description & Notes
OperationalStatus		Mandatory	The operational status of the Switch.
SwitchEnabledState		Mandatory	EnabledState indicates the enabled and disabled states of the Fibre Channel Switch as defined in the EnabledState property of the underlying Switch ComputerSystem instance.
SwitchNPIVSupported		Optional	Experimental. Flag indicating whether NPIV is support on the fibre channel switch as defined in the FCSwitchCapabilities.NPIVSupported property.
FCPortWWN	C	Mandatory	The FC Port Name Identifier (FC Port WWN).
FCPortElementName		Mandatory	The user friendly name of the FCPort.
FCPortType		Mandatory	The PortType of the FCPort.).
FCPortOperationalStatus		Mandatory	The operational status of the FCPort.
FCPortEnabledState		Mandatory	EnabledState indicates the enabled and disabled states of the Fibre Channel Port.
PortDiscriminator		Optional	Experimental. An array property that identifies the context in which this FCPort is instantiated as defined in the underlying FCPort.
PortNumber		Mandatory	The port number labeled for an administrative purposes relative to the logical module. This is typically what is exposed through the devices element manager or CLI.
LogicalModulePortNumber		Optional	Experimental. The port number labeled for an administrative purposes relative to the logical module.
DomainPortNumber		Optional	Experimental. The port number used for domain id and physical port zone members.
ModuleNumber		Conditional	Conditional requirement: Required if the Blades profile is implemented. Logical modules are often named by the physical or logical slot that they occupy within the Switch.
PortNPIVSupported		Optional	Experimental. Flag indicating whether NPIV is support on the fibre channel port as defined in the FCPortCapabilities for the FCPort.
MaxPortNPIVLogins		Optional	Experimental. Maximum number of NPIV logins supported on the fibre channel port as defined in the FCPortCapabilities for the FCPort.
Vendor		Mandatory	The name of the Product's supplier of the Switch.
ProductName		Mandatory	Commonly used Product name.
VersionString		Mandatory	A string representing the complete software version of the Switch.
Model		Mandatory	The model of the switch as defined in the PhysicalPackage for the Switch.
SerialNumber		Optional	The SerialNumber of the switch as defined in the PhysicalPackage for the Switch.
PartNumber		Optional	The PartNumber of the switch as defined in the PhysicalPackage for the Switch.
OEM		Mandatory	The Vendor property in the Product associated to the switch for the OEM.
OEMProductName		Mandatory	The Name property in the Product associated to the switch for the OEM.
OEMIdentifyingNumber		Mandatory	The IdentifyingNumber property in the Product associated to the switch for the OEM.
AccessInfo		Conditional	Conditional requirement: Required if the Access Points profile is implemented.The management address as reported in the AccessInfo property of the CIM_RemoteServiceAccessPoint instance for the switch.

Table 130 - SMI Referenced Properties/Methods for SNIA_FCSwitchView

Properties	Flags	Requirement	Description & Notes
LocationName		Conditional	Conditional requirement: Required if the Location profile is implemented. A free-form string defining a label for the Location as defined by the Name property of the CIM_Location for the switch.
LocationPhysicalPosition		Optional	A free-form string indicating a street, building or other type of address for the switch's Location.

10.8.8 SNIA_TopologyView

The SNIA_TopologyView provides the properties to be able to build a topology for a Fibre Channel fabric without having to do associators from the ProtocolEndpoint to the FCPort to the FCNode or FCSwitch.

Created By: Static

Modified By: Static

Deleted By: Static

Requirement: Required if the array property CIM_ViewCapabilities.SupportedViews contains the string 'SNIA:TopologyView'.

Table 131 describes class SNIA_TopologyView.

Table 131 - SMI Referenced Properties/Methods for SNIA_TopologyView

Properties	Flags	Requirement	Description & Notes
InstanceID		Mandatory	Opaque.
AntecedentFCPortWWN	C	Mandatory	The FC Port Name Identifier (FC Port WWN) of the FCPort the antecedent reference is associated to.
AntecedentElementWWN	C	Mandatory	The FC Switch Name Identifier (FC Switch WWN) or FC Node Name (FC Node WNN) the AntecedentFCPort is associated to.
AntecedentFCPortElement Name		Mandatory	The user friendly name of the FCPort the antecedent reference is associated to.
AntecedentFCPortType		Mandatory	The PortType of the FCPort the antecedent reference is associated to.).
DependentFCPortWWN	C	Mandatory	The FC Port Name Identifier (FC Port WWN) of the FCPort the Dependent reference is associated to.
DependentElementWWN	C	Mandatory	The FC Switch Name Identifier (FC Switch WWN) or FC Node Name (FC Node WNN) the DependentFCPort is associated to.
DependentFCPortElement Name		Mandatory	The user friendly name of the FCPort the dependent reference is associated to.
DependentFCPortType		Mandatory	The PortType of the FCPort the dependent reference is associated to.).
AntecedentFCPort		Mandatory	The reference to the antecedent FCPort that is communicating with the dependent FCPort.
AntecedentSystem		Mandatory	The reference to the system of the antecedent FCPort in the AntecedentFCPort SystemDevice association.
DependentFCPort		Mandatory	The reference to the dependent FCPort that is communicating with the antecedent FCPort.
DependentSystem		Mandatory	The reference to the system of the Dependent FCPort in the DependentFCPort SystemDevice association.

EXPERIMENTAL

EXPERIMENTAL
11 Virtual Fabrics Subprofile
11.1 Description

Technologies have recently been implemented for Fibre Channel SANs to logically separate the hardware into multiple fabrics yet keep them physically interconnected. The term for this technology defined by ANSI T11 is "Virtual Fabrics". ANSI T11 calls the underlying hardware "Core Switches". To be consistent with a more broader use model and DMTF schematics, this subprofile will call these the partitioning systems. ANSI T11 calls the switching construct that resides in the partitioning system, a virtual switch. Again for the broader use model and consistency with the DMTF, this system will be call the partitioned system. The Fabric Profile already provides the discovery of the "virtual fabrics" and the "partitioned switches". This subprofile allows for the discovery of the underlying partitioning system. The Switch Partitioning Subprofile provides the mechanism for configuring the partitioning system.

All Virtual Fabrics shall be associated to the same SAN for the same underlying "physical" topology. Also the Registered Subprofile associates to the SAN object to allow the client to arrive at the proper SAN object without traversing upwards from the fabric instance. In Figure 18, the relationship is shown. Note also that the partitioning ComputerSystems are associated with the SAN.

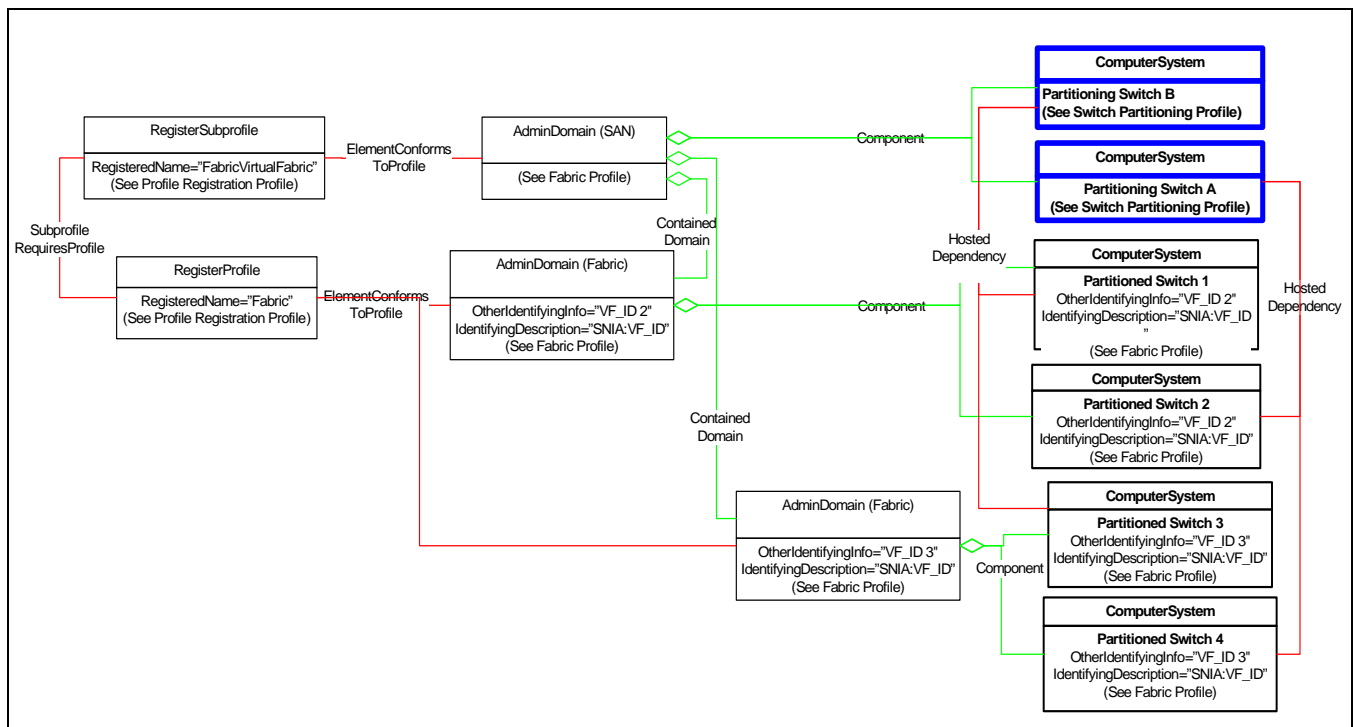


Figure 18 - RegisteredProfile/Subprofile, AdminDomain, and ComputerSystem Relationships

In Figure 18 the only thing added to the model beyond those elements in the Fabric Profile and the Switch Partitioning Profile are the ElementConformsToProfile association from the SAN AdminDomain (in the Fabric Profile) to the Virtual Fabrics RegisteredProfile and the Component association from the Partitioning ComputerSystem (from the Switch Partitioning Profile) to the same SAN AdminDomain. The Virtual Fabrics Profile is a component profile of the Fabric Profile and it requires implementation of the Switch Partitioning Profile.

In Figure 19, the partitioning systems are shown presenting two "virtual fabric" with only one link (ActiveConnection) in each fabric. See section 4.1.2 for more information with regards to fabric topology

using ActiveConnection. In this configuration each fabric, partitioned switch, and port are uniquely identified. Note that the new instances to support this subprofile are outlined in a bolded line.

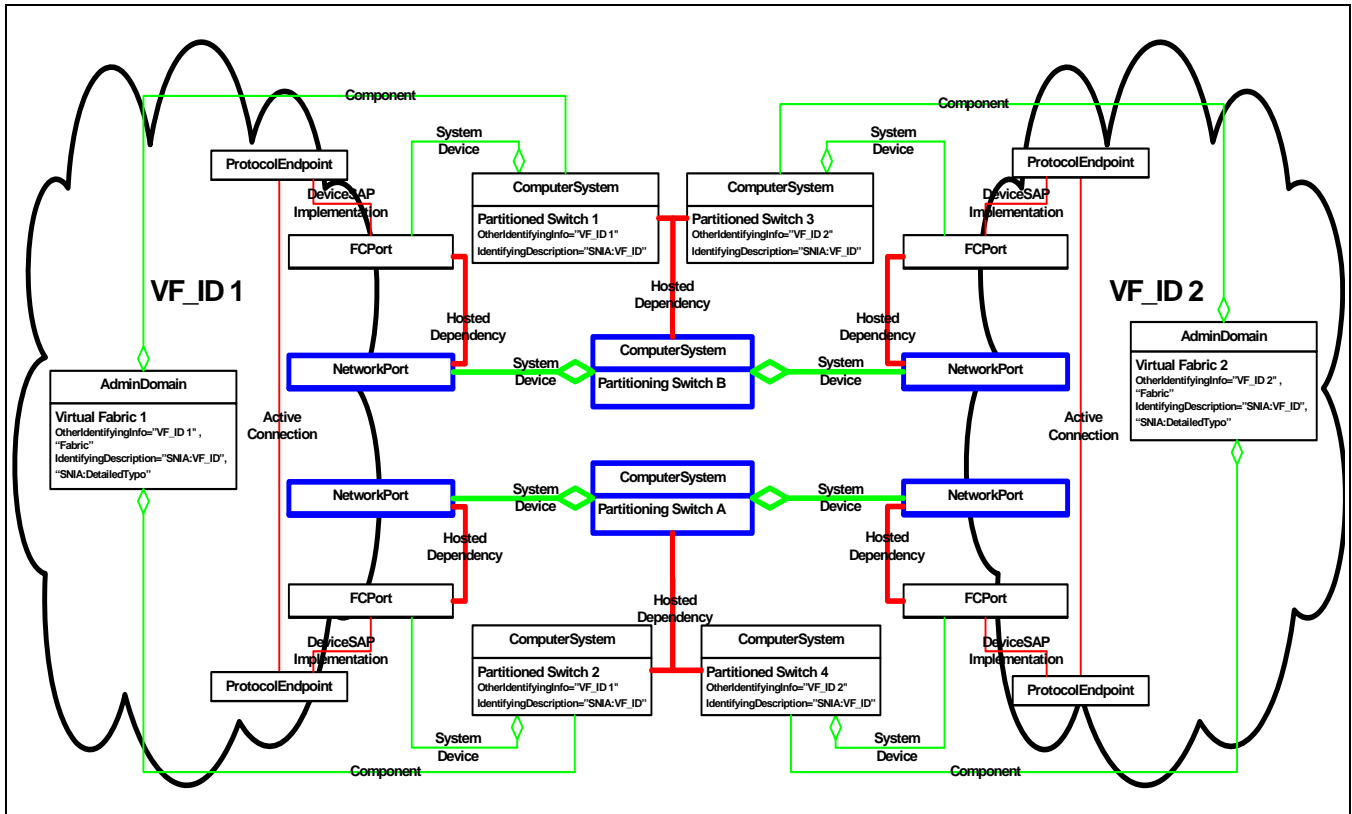


Figure 19 - Two Virtual Fabric and Two Partitioning Systems

In Figure 19, a single partitioning system is creating two virtual fabrics and in Figure 20, the system is partitioning the network port. When the NetworkPort is partitioned, each port is not guaranteed to be uniquely identified (though the key to the instance is) and the client needs to map it to the fabric it is participating in to maintain the ports identity.

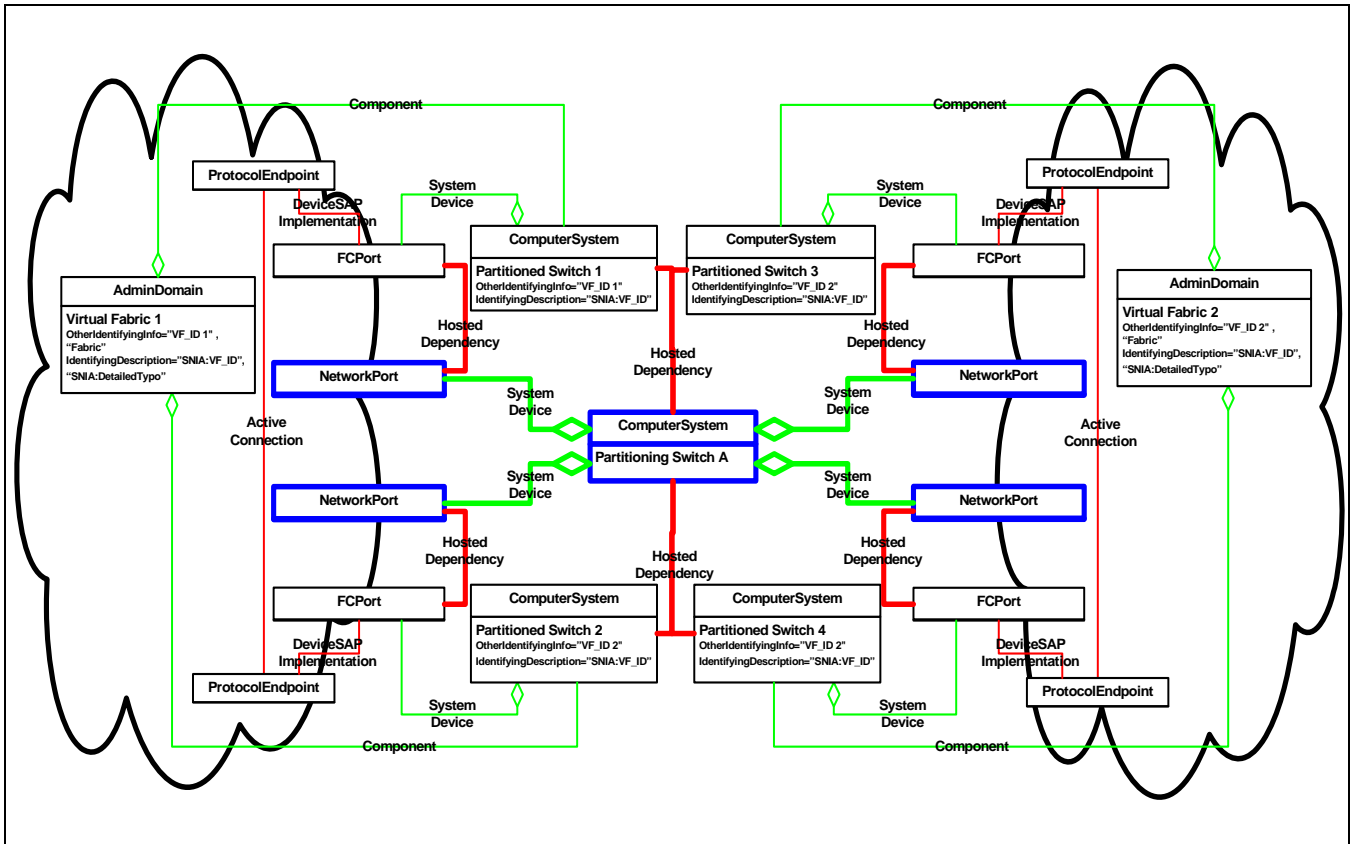


Figure 20 - Two Virtual Fabrics and One Partitioning System

In all cases you can have a one-to-one or many-to-one relationship between partitioned switches and the partitioning switch. The same is true between the partitioned FCPorts and the NetworkPorts.

To determine the end-to-end path of a fabric, the client follows the rules outlined in the Fabric Profile (see 4.1.2) with the exception that when entering a switch, if there exists a hosted dependency on the switch port, the partitioning system shall be traversed instead of the partitioned system. So in Figure 20, when the client traverses across ActiveConnection to the ProtocolEndpoint to the FCPort and down the HostedDependency, it realizes that both ends of the link are actually in the same partitioned system.

11.2 Health and Fault Management Consideration

The possible Health and Fault information through LifeCycle indications are addressed in the Fabric Profile.

11.3 Cascading Considerations

None

11.4 Supported Profiles, Subprofiles, and Packages

Table 132 describes the supported profiles for FabricVirtualFabrics.

Table 132 - Supported Profiles for FabricVirtualFabrics

Profile Name	Organization	Version	Requirement	Description
FabricSwitchPartitioning	SNIA	1.5.0	Mandatory	

11.5 Methods of the Profile

None

11.6 Client Considerations and Recipes

None

11.7 Registered Name and Version

FabricVirtualFabrics version 1.5.0 (Component Profile)

11.8 CIM Elements

Table 133 describes the CIM elements for FabricVirtualFabrics.

Table 133 - CIM Elements for FabricVirtualFabrics

Element Name	Requirement	Description
11.8.1 CIM_Component (AdminDomain to Partitioning CS)	Mandatory	Associates the partitioning ComputerSystems representing the underlying physical switches to the AdminDomain representing the SAN.
11.8.2 CIM_ElementConformsToProfile (SAN AdminDomain to Virtual Fabrics RegisteredProfile)	Mandatory	Ties the SAN AdminDomain to the registered profile for Virtual Fabrics.

11.8.1 CIM_Component (AdminDomain to Partitioning CS)

Associates the partitioning ComputerSystems representing the underlying physical switches to the AdminDomain representing the SAN. This allows the client another means to determine which ComputerSystems are part of the Fabric versus those that are part of the underlying physical topology. ComputerSystems representing Fibre Channel switches are associated to the AdminDomain representing the fabric (see the Fabric Profile).

Created By: External

Modified By: Static

Deleted By: External

Requirement: Mandatory

Table 134 describes class CIM_Component (AdminDomain to Partitioning CS).

Table 134 - SMI Referenced Properties/Methods for CIM_Component (AdminDomain to Partitioning CS)

Properties	Flags	Requirement	Description & Notes
GroupComponent		Mandatory	The reference to the AdminDomain representing the SAN (OtherIdentifyingInfo contains 'SAN' with a corresponding 'SNIA:DetailedType' in IdentifyingDescriptions').
PartComponent		Mandatory	The reference to the partitioning ComputerSystem.

11.8.2 CIM_ElementConformsToProfile (SAN AdminDomain to Virtual Fabrics RegisteredProfile)

The CIM_ElementConformsToProfile ties SAN AdminDomain to the registered profile for Virtual Fabrics.

Created By: Static
 Modified By: Static
 Deleted By: Static
 Requirement: Mandatory

Table 135 describes class CIM_ElementConformsToProfile (SAN AdminDomain to Virtual Fabrics RegisteredProfile).

Table 135 - SMI Referenced Properties/Methods for CIM_ElementConformsToProfile (SAN AdminDomain to Virtual Fabrics RegisteredProfile)

Properties	Flags	Requirement	Description & Notes
ManagedElement		Mandatory	A SAN AdminDomain (OtherIdentifyingInfo contains 'SAN' with a corresponding 'SNIA:DetailedType' in IdentifyingDescriptions') that represents the Virtual Fabric.
ConformantStandard		Mandatory	RegisteredProfile instance describing the Virtual Fabrics profile.

EXPERIMENTAL

STABLE**12 Switch Profile****12.1 Description**

The Switch Profile models logical and physical aspects of a Fibre Channel switch. The `ComputerSystem` class constitutes the center of the switch model (and is the top level object which the profile registration points to). An instance of a `ComputerSystem` is identified as a switch by the property `Dedicated` set to "switch".

This profile includes discovery components including ports, port statistics, product information, software, and chassis information. It also includes configuration of the switch including switch and port state change, port speed, switch name, symbolic names, and `DomainID`.

Both the `Switch` and `Port` have a capabilities class, `FCSwitchCapabilities` and `FCPortCapabilities`, respectively, defining which configuration options are supported by the switch. The capabilities define what components are configurable and any restrictions that apply. Except for state change, an associated settings class is defined for both the switch and port, `FCSwitchSettings` and `FCPortSettings`, which the client uses to request configuration changes to the `Switch` or `Port`, respectively. A setting does not necessarily result in a change to the underlying `Switch` or `Port`. The client can determine whether the setting was applied by looking at the associated property in the `Switch` or `Port` class.

The model for configuration is made up of three components, capabilities, settings, and the `ManagedElements`, `ComputerSystem` and `FCPort`, as shown in Figure 21. The capabilities define what components are configurable and any restrictions that apply, the settings define what the client requests, and the `ManagedElements` expose the actual changes that were applied.

The `ComputerSystem` (`Dedicated` as `Switch`) and `FCPort` classes have the method `RequestStateChange()` for requesting that the state be changed and an associated property `RequestedState` on the classes which indicates the current state change that has been requested. To determine whether the state change has completed, the property `EnabledState` can be examined to determine whether the device has completed the state change.

If a switch is modular, for instance if the switch is comprised of multiple blades on a backplane, `LogicalModule` can optionally be used to model each sub-module, and as an aggregation point for the switch ports. This is described in the `Blade Subprofile`.

`FCPort` describes the logical aspects of the port link and the data layers. `PhysicalConnector` models the physical aspects of a port. An instance of the `FCPortStatistics` class is expected for each instance of the `FCPort` class. `FCPortStatistics` expose real time port health and traffic information.

If the instrumentation is embedded in a switch, it shall provide a switch profile implementation for the hosting switch, and it may proxy a switch profile implementation for other switches reported in the Fabric Profile.

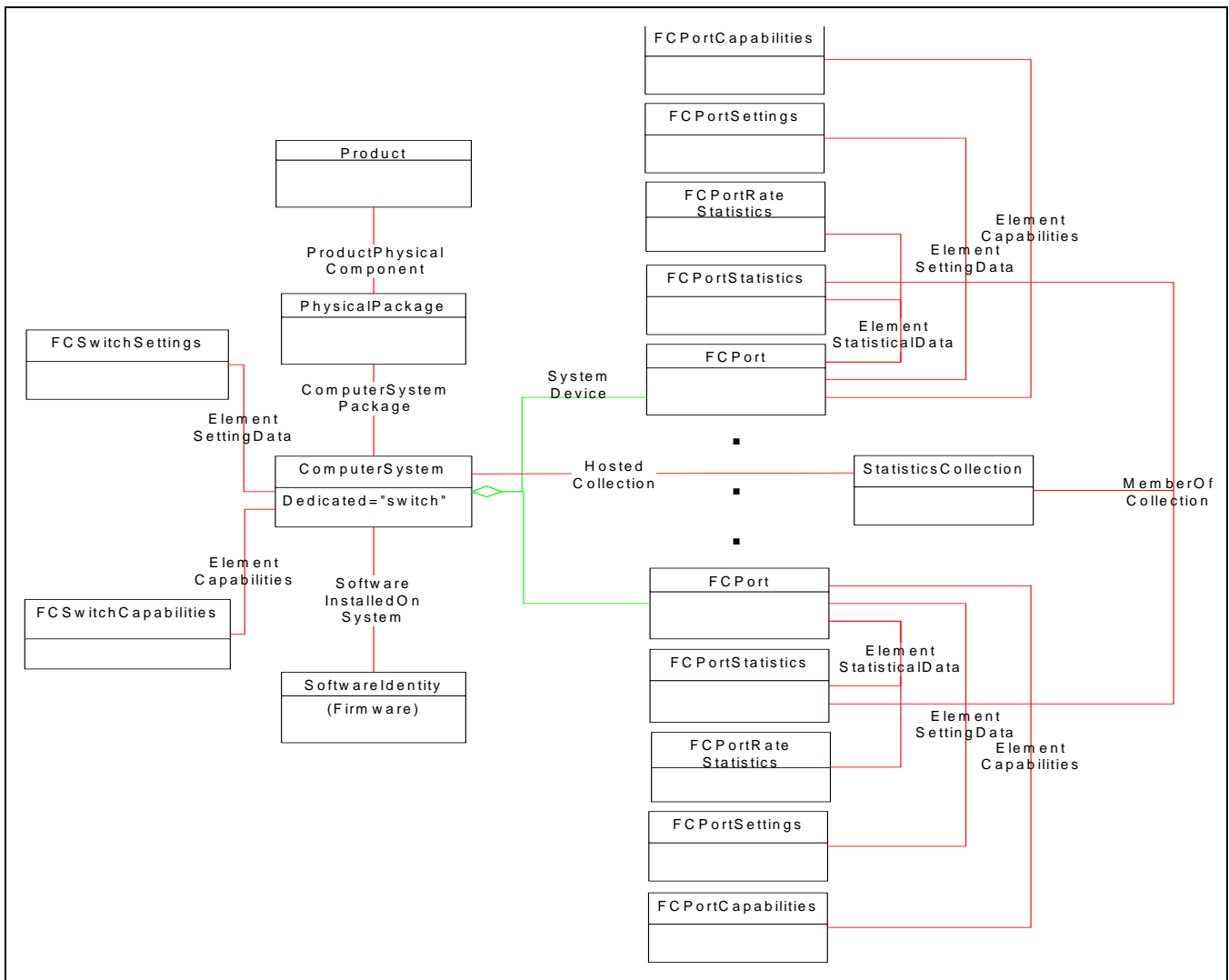


Figure 21 - Switch Instance Diagram

12.1.1 FC Port Settings and Capabilities

Capabilities describe the possible features that a ManagedElement supports. Settings are used to describe the requested configuration. The ManagedElement itself describes what settings have been applied and operating.

- For FC Port Type, there are settings that are not in the actual ManagedElement, FCPort.Types. These are settings that allow a subrange of possible port types. They are:
- A G_Port is a Switch Port that is capable of either operating as an E_Port or F_Port. A G_Port determines through Port Initialization whether it operates as an E_Port or as an F_Port.
- A GL_Port is a G_Port that is also capable of operating as an FL_Port.
- A Fx_Port is a switch port capable of operating as an F_Port or FL_Port.

The actual FCPort when operating shall run one of the port types as per FC-GS. In most cases a switch has a default setting to autonegotiate, which in most cases equates to GL or G being set in FCPortSetting.RequestedType. It is required that this setting, FCPortSetting.RequestedType, be shown regardless of whether it was set administratively or is the default behavior of the switch. FCPortSetting.RequestedType represents a setting that the administrator can understand and clearly identify why a switch port ends up running a particular port type. If the switch does not support setting the port type, the RequestedTypesSupported array will be empty. It is valid to have a port type of “Unknown” until the link has been established. In 12.8.14 CIM_FCPortSettings, the table is showing the relationship of particular port types and how the capabilities relate to the setting for these port types.

The same concept applies for FCPort settings for speed except there is a separate property indicating auto negotiate, FCPortSettings.AutoSenseSpeed (LogicalPortSettings.AutoSenseSpeed). Note that this setting may have been previously set through some other administrative interface (e.g., CLI), but should still be reported in FCPortSettings.RequestedSpeed. If FCPortSetting.AutoSenseSpeed is true, then the value of FCPortSettings.RequestedSpeed is ignored and the speed will be negotiated by the hardware. If it is disabled, the port will operate at the speed configured in FCPortSettings.RequestedSpeed.

FCPortSettings.RequestedSpeed allows the port speed to be administratively set (WRITE qualifier). It also indicates to the client that the port has been administratively set (now or at a previous time). This property can only be set administratively if FCPortCapabilities.RequestedSpeedsSupported[] is not empty, and may only be set to one of the values in FCPortCapabilities.RequestedSpeedsSupported[].

FCPortCapabilities.RequestedSpeedsSupported indicates whether the device allows the speed to be administratively set. For instance, a 4Gb port may allow 1, 2, and 4 Gb. FCPort.Speed (LogicalPort.Speed) represents the actual speed the port is running and a speed of zero represents that the link has not been established.

12.1.2 Trunking

Trunking describes from a switch perspective which ports are working together passing frames using the class RedundancySet. The RedundancySet has a property TypeOfSet which is used to identify what type of redundancy or trunking is occurring among the switch ports associated to the RedundancySet using MemberOfCollection. Figure 22 shows a Trunking instance.

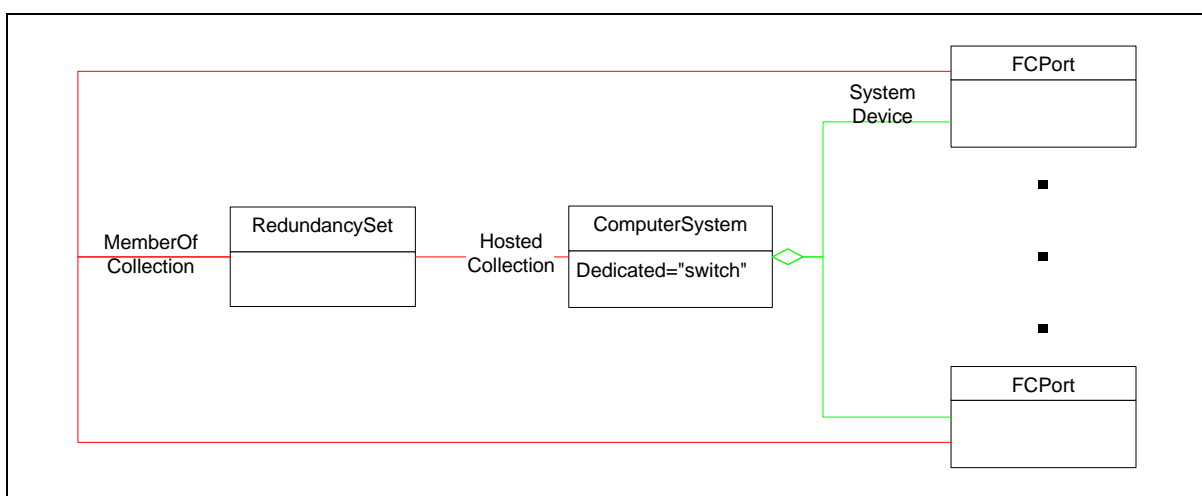


Figure 22 - Trunking Instance Diagram

EXPERIMENTAL
12.1.3 DetailedPortState, PortAvailability, OperationalStatus, and EnabledState

Table 2 - "Port OperationalStatus" is the starting point for the status of FCPort. It is a mandatory property of 4 Fabric Profile. EnabledState is also mandatory in Clause 4: Fabric Profile, but only as the value Not Applicable. EnabledState has additional values when 12 Switch Profile is implemented. Those values are shown in Table 136 which also shows how EnabledState relates to OperationalStatus. Table 136 and Table 137 contain specifics about the expected values of the properties for FCPorts DetailedPortState and PortAvailability and their relationship to OperationalStatus and EnabledState.

In Table 136 are specifics about the expected values of the properties for FCPorts DetailedPortState and its relationship to OperationalStatus, EnabledState and PortAvailability.

Table 136 - DetailedPortState for FCPort

DetailedPortState	OperationalStatus	EnabledState	PortAvailability
Transceiver Validation	Starting	Starting	Available
Locking To Reference Signal	Starting	Starting	Available
Synchronized	OK	Enabled	Available
Invalid Transceiver	Error	Enabled, but offline	Available
No Light (1)	OK	Enabled, but offline	Available
Cannot Synchronize	Error	Disabled	Available
Laser Fault	Error	Disabled	Available
Port Fault	Error	Disabled	Available
Diagnostic Fault	Error	Disabled	Available
Unknown	Unknown	Disabled	Any value in Table 137
(1) When there is no light, this only indicates that the transceiver is not receiving light and the transceiver is operational. Typically this case occurs when there is no cable attached, but can also be caused by a broken/defective cable.			

In Table 137 are specifics about the expected values of the properties for PortAvailability and its relationship to OperationalStatus, EnabledState and DetailedPortState.

Table 137 - PortAvailability for FCPort

PortAvailability	OperationalStatus	EnabledState	DetailedPortState
Available	Any value in Table 2, "Port OperationalStatus,"	Any value in Table 136 except Unknown	Any value in Table 136
Not Installed	Stopped	Disabled	Unknown
No Transceiver	Stopped	Disabled	Unknown
Not Licensed	Stopped	Disabled	Unknown

EXPERIMENTAL

EXPERIMENTAL

12.1.4 Conditional Classes and Properties

Table 139 contains classes that are conditional on the implementation of other profiles:

- CIM_ComputerSystem (Partitioned Switch) is conditional on the implementation of the Switch Partitioning Profile
- CIM_ElementSettingData (FCSwitchSettings to ComputerSystem) is conditional on the implementation of the Switch Configuration Data Profile.
- CIM_FCPort (Partitioned Switch FCPort) is conditional on the implementation of the Switch Partitioning Profile

In addition, some properties of the Switch classes are conditional on implementation of other profiles:

- The ElementName, OtherIdentifyingInfo, IdentifyingDescriptions and EnabledState of CIM_ComputerSystem (Switch) are required if the Fabric Profile is implemented.
- EnabledState of CIM_FCPort (Switch FCPort) is required if the Fabric Profile is implemented
- PortDiscriminator of CIM_FCPort (Switch FCPort) is required if the Switch Partitioning Profile is implemented.

EXPERIMENTAL

EXPERIMENTAL

12.1.5 Switch Predefined Indications

If the Indications profile is supported by an implementation of the Switch profile, it shall implement the SNIA_IndicationConfigurationService and its associated SNIA_IndicationConfigurationCapabilities. If the implementation supports predefined IndicationFilters or predefined IndicationFilterCollections this shall be indicated in the SupportedFeatures property of the SNIA_IndicationConfigurationCapabilities. If a value “3” is present, it means the implementation supports predefined IndicationFilters. If a value of “5” is present, it means the implementation supports predefined IndicationFilterCollections.

Figure 23 illustrates classes that shall be populated by the Switch profile if both “3” and “5” are present in the SupportedFeatures property.

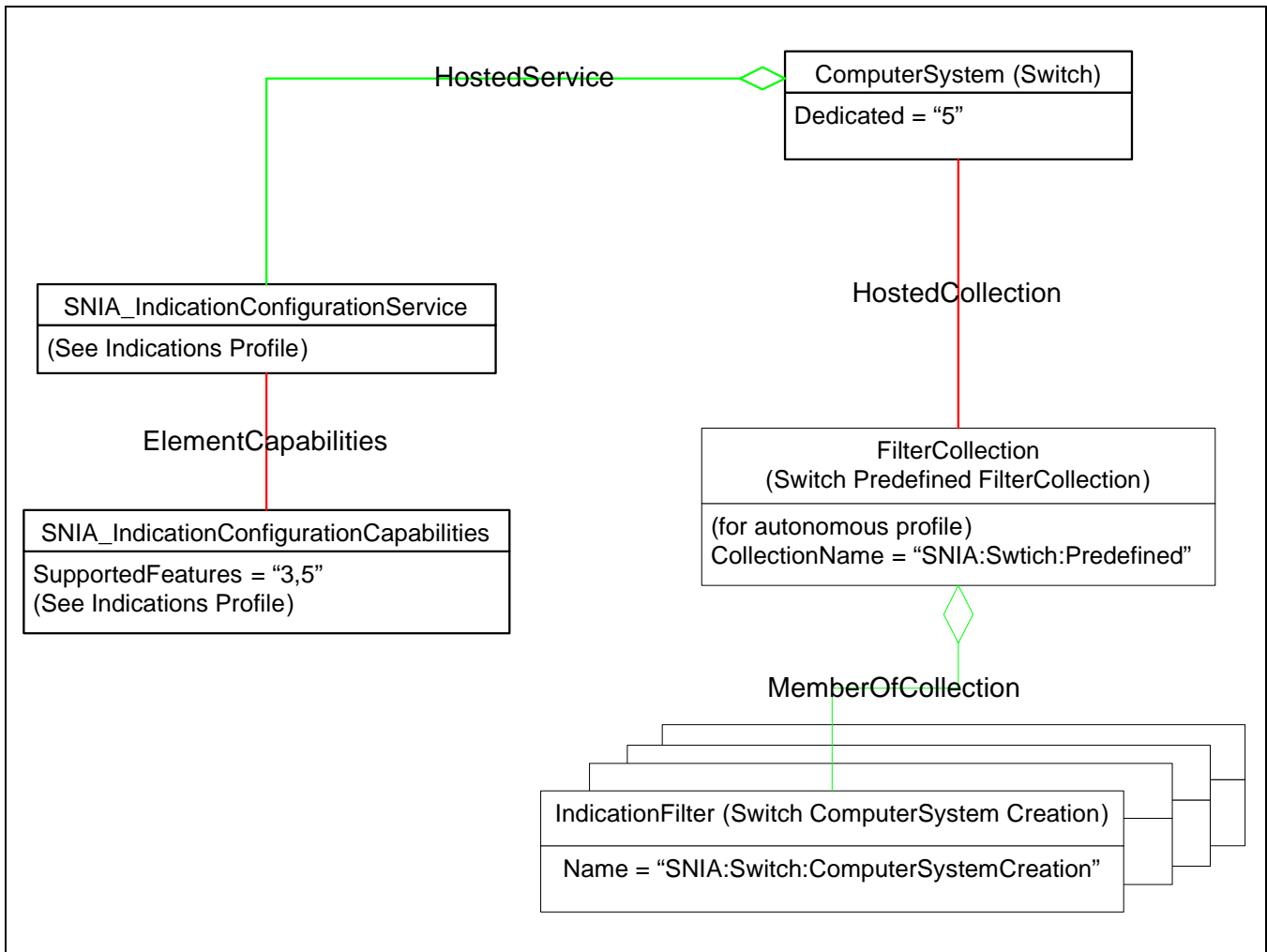


Figure 23 - Predefined Switch IndicationFilters and Collection

The SNIA_IndicationConfigurationService is hosted on the switch ComputerSystem. The FilterCollection for switch is also hosted on the switch ComputerSystem. The switch FilterCollection has members which are all the predefined IndicationFilters supported by the implementation. This shall include all Mandatory IndicationFilters of the Switch Profile. But it should also include any IndicationFilter that has been predefined by the implementation. This may include conditional, optional or vendor specific IndicationFilters supported by the implementation.

The switch FilterCollection shall have the CollectionName "SNIA:Switch:Predefined". Each of the predefined filters shall have the Name property as defined for the IndicationFilter. In Figure 23 the name of the IndicationFilter (Switch ComputerSystem Creation) is "SNIA:Switch:ComputerSystemCreation". For vendor specific IndicationFilters (not defined in this standard), the Name of the filter would be of the form ORG_ID":Switch:"UNIQUE_ID, where ORGID is the designation of the vendor that is providing the implementation.

EXPERIMENTAL

12.2 Health and Fault Management

The following classes report possible Health and Fault information through LifeCycle indications:

- ComputerSystem
- FCPort

These LifeCycle indications are more fully described in *Storage Management Technical Specification, Part 3 Common Profiles, 1.6.1 Rev 6 Table 280*.

Also in Table 139, “CIM Elements for Switch” is a list of AlertIndications which may also be indicators for Health and Fault Management.

12.3 Cascading Considerations

None

12.4 Dependencies on Profiles, Subprofiles, and Packages

Table 138 describes the supported profiles for Switch.

Table 138 - Supported Profiles for Switch

Profile Name	Organization	Version	Requirement	Description
Blades	SNIA	1.6.0	Optional	
Access Points	SNIA	1.3.0	Optional	
Switch Configuration Data	SNIA	1.1.0	Optional	Experimental.
Physical Package	SNIA	1.5.0	Mandatory	
Software	SNIA	1.4.0	Mandatory	
FabricSwitchPartitioning	SNIA	1.5.0	Optional	Experimental.
Location	SNIA	1.4.0	Optional	
Power Supply	SNIA	1.0.1	Optional	Experimental.
Fan	SNIA	1.5.0	Optional	Experimental.
RecordLog	DMTF	1.0.1	Optional	
Launch In Context	DMTF	1.0.0	Optional	Experimental. See DSP1102, version 1.0.0
Indication	SNIA	1.5.0	Support for at least one is mandatory.	Deprecated. See the SNIA Indications Profile
Indications	SNIA	1.6.0		Experimental.
Indications	DMTF	1.2.0		Experimental. See DSP1054, version 1.2.0

12.5 Methods of this Profile

None in this version of the specification

12.6 Client Considerations and Recipes

12.6.1 Enable FCPort

```
// DESCRIPTION
// This recipe describes how to enable a port on a Fibre Channel Switch.
//
```

Switch Profile

```
// PRE-EXISTING CONDITIONS AND ASSUMPTIONS
// 1. The instance of the port to be enabled is known as $Port.

// MAIN
// Step 1. Retrieve the capabilities of the port.
$PortCapabilities[] = Associators($Port.getObjectPath(),
    "CIM_ElementCapabilities",
    "CIM_FCPortCapabilities",
    "ManagedElement",
    "Capabilities",
    false,
    false,
    {"RequestedStatesSupported"})
if ($PortCapabilities[] == null || PortCapabilities[].length != 1) {
    <ERROR! The required port capabilities are not available>
}

// Step 2. Verify that the port can be enabled.
if (!contains(2, $PortCapabilities[0].RequestedStatesSupported)) {
    <EXIT! Enabling the specified port is not supported>
}

// Step 3. Verify that the port is in a state in which enabling is appropriate.
if ($Port.EnabledState != 2 && $Port.RequestedState == 5) {

    // Step 4. Enable the port.
    %InArguments["RequestedState"] = 2// "Enabled"
    // Timeout request after 90 seconds
    %InArguments["TimeoutPeriod"] = 00000000000130.000000:000
    #ReturnValue = InvokeMethod($Port.getObjectPath(),
        "RequestStateChange",
        %InArguments,
        %OutArguments)
    if (#ReturnValue == 0) {// "Completed with No Error"
        <EXIT! Port successfully enabled>
    } else if (#ReturnValue == 4098) {// "Timeout Parameter Not Supported"
        %InArguments["RequestedState"] = 2// "Enabled"
        %InArguments["TimeoutPeriod"] = 0// No timeout
        #ReturnValue = InvokeMethod($Port.getObjectPath(),
            "RequestStateChange",
            %InArguments,
            %OutArguments)
        if (#ReturnValue == 0) {// "Completed with No Error"
            <EXIT! Port successfully enabled>
        } else {
            <ERROR! Port state transition failed>
        }
    }
}
```

```

    }
} else {
    <ERROR! The specified port is already enabled or currently in a
        state transition>
}

```

12.6.2 Disable Port

```

// DESCRIPTION
// This recipe describes how to disable a port on a Fibre Channel Switch.
//
// PRE-EXISTING CONDITIONS AND ASSUMPTIONS
// 1. The instance of the port to be disabled is known as $Port.

// MAIN
// Step 1. Retrieve the capabilities of the port.
$PortCapabilities[] = Associators($Port.getObjectPath(),
    "CIM_ElementCapabilities",
    "CIM_FCPortCapabilities",
    "ManagedElement",
    "Capabilities",
    false,
    false,
    {"RequestedStatesSupported"})
if ($PortCapabilities[] == null || PortCapabilities[].length != 1) {
    <ERROR! The required port capabilities are not available>
}

// Step 2. Verify that the port can be disabled.
if (!contains(3, $Capabilities.RequestedStatesSupported)) {
    <EXIT! Disabling the specified port is not supported>
}

// Step 3. Verify that the port is in a state in which disabling is appropriate.
if ($Port.EnabledState != 3 && $Port.RequestedState == 5) {

    // Step 4. Disable the port.
    %InArguments["RequestedState"] = 3 // "Disabled"
    // Timeout request after 90 seconds
    %InArguments["TimeoutPeriod"] = 00000000000130.000000:000
    #ReturnValue = InvokeMethod($Port.getObjectPath(),
        "RequestStateChange",
        %InArguments,
        %OutArguments)
    if (#ReturnValue == 0) { // "Completed with No Error"
        <EXIT! Port successfully disabled>
    } else if (#ReturnValue == 4098) { // "Timeout Parameter Not Supported"
        %InArguments["RequestedState"] = 3 // "Disabled"
    }
}

```

Switch Profile

```
%InArguments["TimeoutPeriod"] = 0 // No timeout
#ReturnValue = InvokeMethod($Port.GetObjectPath(),
    "RequestStateChange",
    %InArguments,
    %OutArguments)
if (#ReturnValue == 0) { // "Completed with No Error"
    <EXIT! Port successfully disabled>
} else {
    <ERROR! Port state transition failed>
}
}
} else {
    <ERROR! The specified port is already disabled or currently in a
        state transition>
}
}
```

12.6.3 Enable Switch

```
// DESCRIPTION
// This recipe describes how to enable a Fibre Channel Switch.
//
// PRE-EXISTING CONDITIONS AND ASSUMPTIONS
// 1. A reference to the Switch to enable is known and defined in the
//    variable $Switch->.

// MAIN
// Step 1. Retrieve the relevant Switch instance information.
$Switch = GetInstance($Switch->,
    false,
    false,
    false,
    {"EnabledState", "RequestedState"})

// Step 2. Retrieve the capabilities of the Switch.
$SwitchCapabilities[] = Associators($Switch->,
    "CIM_ElementCapabilities",
    "CIM_FCSwitchCapabilities",
    "ManagedElement",
    "Capabilities",
    false,
    false,
    {"RequestedStatesSupported"})
if ($SwitchCapabilities[] == null || $SwitchCapabilities[].length != 1) {
    <ERROR! The required Switch capabilities are not available>
}

// Step 3. Verify that the Switch can be enabled.
if (!contains(2, $SwitchCapabilities[0].RequestedStatesSupported)) {
```

Switch Profile

```
<EXIT! Enabling the specified Switch is not supported>
}

// Step 4. Verify that the Switch is in a state in which enabling is
// appropriate.
if ($Switch.EnabledState != 2 && $Switch.RequestedState == 5) {

    // Step 5. Enable the Switch.
    %InArguments["RequestedState"] = 2// "Enabled"
    // Timeout request after 90 seconds
    %InArguments["TimeoutPeriod"] = 00000000000130.000000:000
    #ReturnValue = InvokeMethod($Switch->,
        "RequestStateChange",
        %InArguments,
        %OutArguments)
    if (#ReturnValue == 0) {// "Completed with No Error"
        <EXIT! Switch successfully enabled>
    } else if (#ReturnValue == 4098) {// "Timeout Parameter Not Supported"
        %InArguments["RequestedState"] = 2// "Enabled"
        %InArguments["TimeoutPeriod"] = 0// No timeout
        #ReturnValue = InvokeMethod($Switch->,
            "RequestStateChange",
            %InArguments,
            %OutArguments)
        if (#ReturnValue == 0) {// "Completed with No Error"
            <EXIT! Switch successfully enabled>
        } else {
            <ERROR! Switch state transition failed>
        }
    }
} else {
    <ERROR! The specified Switch is already enabled or currently in
    a state transition>
}
}
```

12.6.4 Disable Switch

```
// DESCRIPTION
// This recipe describes how to disable a Fibre Channel Switch.
//
// PRE-EXISTING CONDITIONS AND ASSUMPTIONS
// 1. A reference to the Switch to disable is known and defined in the
//    variable $Switch->.

// MAIN
// Step 1. Retrieve the relevant Switch instance information.
$Switch = GetInstance($Switch->,
    false,
```

Switch Profile

```
false,
false,
{"EnabledState", "RequestedState"})

// Step 2. Retrieve the capabilities of the Switch.
$SwitchCapabilities[] = Associators($Switch->,
    "CIM_ElementCapabilities",
    "CIM_FCSwitchCapabilities",
    "ManagedElement",
    "Capabilities",
    false,
    false,
    {"RequestedStatesSupported"})
if ($SwitchCapabilities[] == null || SwitchCapabilities[].length != 1) {
    <ERROR! The required Switch capabilities are not available>
}

// Step 3. Verify that the Switch can be disabled.
if (contains(3, $SwitchCapabilities[0].RequestedStatesSupported)) {
    <EXIT! Disabling the specified Switch is not supported>
}

// Step 4. Verify that the Switch is in a state in which disabling is
// appropriate.
if ($Switch.EnabledState != 3 && $Switch.RequestedState == 5) {

    // Step 5. Disable the Switch.
    %InArguments["RequestedState"] = 3// "Disabled"
    // Timeout request after 90 seconds
    %InArguments["TimeoutPeriod"] = 00000000000130.000000:000
    #ReturnValue = InvokeMethod($Switch->,
        "RequestStateChange",
        %InArguments,
        %OutArguments)
    if (#ReturnValue == 0) {// "Completed with No Error"
        <EXIT! Switch successfully disabled>
    } else if (#ReturnValue == 4098) {// "Timeout Parameter Not Supported"
        %InArguments["RequestedState"] = 3// "Disabled"
        %InArguments["TimeoutPeriod"] = 0// No timeout
        #ReturnValue = InvokeMethod($Switch->,
            "RequestStateChange",
            %InArguments,
            %OutArguments)
        if (#ReturnValue == 0) {// "Completed with No Error"
            <EXIT! Switch successfully disabled>
        } else {
            <ERROR! Switch state transition failed>
        }
    }
}
```



```

    }
  } else {
    <ERROR! Switch state transition failed>
  }
} else {
  <ERROR! The specified Switch is already disabled or currently in
    a state transition>
}

```

12.6.5 Reset Switch

```

// DESCRIPTION
// This recipe describes how to reset a Fibre Channel Switch.
//
// PRE-EXISTING CONDITIONS AND ASSUMPTIONS
// 1. A reference to the Switch to reset is known and defined in the
//    variable $Switch->.

// MAIN
// Step 1. Retrieve the relevant Switch instance information.
$Switch = GetInstance($Switch->,
  false,
  false,
  false,
  {"EnabledState", "RequestedState"})

// Step 2. Retrieve the capabilities of the Switch.
$SwitchCapabilities[] = Associators($Switch->,
  "CIM_ElementCapabilities",
  "CIM_FCSwitchCapabilities",
  "ManagedElement",
  "Capabilities",
  false,
  false,
  {"RequestedStatesSupported"})
if ($SwitchCapabilities[] == null || $SwitchCapabilities[].length != 1) {
  <ERROR! The required Switch capabilities are not available>
}

// Step 3. Verify that the Switch can be reset.
if (contains(11, $SwitchCapabilities[0].RequestedStatesSupported)) {
  <EXIT! Resetting the specified Switch is not supported>
}

// Step 4. Verify that the Switch is in a state in which resetting is
// appropriate.
if ($Switch.EnabledState == 2 && $Switch.RequestedState == 5) {

```

Switch Profile

```
// Step 5. Reset the Switch.
%InArguments["RequestedState"] = 11// "Reset"
// Timeout request after 90 seconds
%InArguments["TimeoutPeriod"] = 00000000000130.000000:000
#ReturnValue = InvokeMethod($Switch->,
    "RequestStateChange",
    %InArguments,
    %OutArguments)
if (#ReturnValue == 0) { // "Completed with No Error"
    <EXIT! Switch successfully reset>
} else if (#ReturnValue == 4098) { // "Timeout Parameter Not Supported"
    %InArguments["RequestedState"] = 11// "Reset"
    %InArguments["TimeoutPeriod"] = 0// No timeout
    #ReturnValue = InvokeMethod($Switch->,
        "RequestStateChange",
        %InArguments,
        %OutArguments)
    if (#ReturnValue == 0) { // "Completed with No Error"
        <EXIT! Switch successfully reset>
    } else {
        <ERROR! Switch state transition failed>
    }
} else {
    <ERROR! Switch state transition failed>
}
} else {
    <ERROR! The specified Switch is already reset or currently in
        a state transition>
}
}
```

12.6.6 Set Port Speed

```
// DESCRIPTION
// This recipe describes how to modify the speed of a port on a Fibre Channel
// Switch.
//
// PREEXISTING CONDITIONS AND ASSUMPTIONS
// 1. The instance of the port to whose speed to modify is known as $Port.
// 2. The desired port speed is known and defined in the variable #Speed.
//
// MAIN
// Step 1. Retrieve the capabilities of the port.
$PortCapabilities[] = Associators($Port.getObjectPath(),
    "CIM_ElementCapabilities",
    "CIM_FCPortCapabilities",
    "ManagedElement",
    "Capabilities",
    false,
```

Switch Profile

```
false,
  {"AutoSenseSpeedConfigurable", "RequestedSpeedsSupported"})
if ($PortCapabilities[] == null || PortCapabilities[].length != 1) {
  <ERROR! The required port capabilities are not available>
}
$Capabilities = $PortCapabilities[0]

// Step 2. Verify that the port speed can be set to the specified speed.
if (contains(#Speed, $Capabilities.RequestedSpeedsSupported)) {

  // Step 3. Retrieve the port settings.
  $Settings[] = Associators($Port.GetObjectPath(),
    "CIM_ElementSettingData",
    "CIM_FCPortSettings",
    "ManagedSetting",
    "SettingData",
    false,
    false,
    {"InstanceID", "AutoSenseSpeed", "RequestedSpeed"})
  if ($Settings[] == null || Settings[].length != 1) {
    <ERROR! The required port settings are not available>
  }
  $PortSetting = $Settings[0]

  // Step 4. Port speed is ignored unless AutoSenseSpeed is disabled,
  if ($PortSetting.AutoSenseSpeed) {
    if ($Capabilities.AutoSenseSpeedConfigurable) {
      $PortSetting.AutoSenseSpeed = false
    } else {
      //Unlikely, but not an error
    }
  }
}

// Step 5. Modify the port speed to the specified speed.
$PortSetting.RequestedSpeed = #Speed
ModifyInstance($PortSetting.GetObjectPath(),
  $PortSetting,
  false,
  {"AutoSenseSpeed", "RequestedSpeed"})

// Step 6. Verify that the port speed modification was applied.
$Port = GetInstance($Port.GetObjectPath(),
  false,
  false,
  false,
  {"Speed"})
if ($Port.Speed == #Speed) {
```

Switch Profile

```
        <EXIT! Port speed modified successfully>
    } else {
        <ERROR! Port speed was not modified as specified>
    }
} else {
    <EXIT! Specified port speed is not supported>
}
```

12.6.7 Set Port Type

```
// DESCRIPTION
// This recipe describes how to modify the port type on a Fibre Channel Switch.
//
// PREEXISTING CONDITIONS AND ASSUMPTIONS
// 1. The instance of the port to whose type to modify is known as $Port.
// 2. The desired port type is known and defined in the variable #Type.

// MAIN
// Step 1. Retrieve the capabilities of the port.
$PortCapabilities[] = Associators($Port.getObjectPath(),
    "CIM_ElementCapabilities",
    "CIM_FCPortCapabilities",
    "ManagedElement",
    "Capabilities",
    false,
    false,
    {"RequestedTypesSupported"})
if ($PortCapabilities[] == null || PortCapabilities[].length != 1) {
    <ERROR! The required port capabilities are not available>
}

// Step 2. Verify that the port type can be modified as specified.
$Capabilities = $PortCapabilities[0]
if (contains(#Type, $Capabilities.RequestedTypesSupported)) {

    // Step 3. Retrieve the port settings.
    $Settings[] = Associators($Port.getObjectPath(),
        "CIM_ElementSettingData",
        "CIM_FCPortSettings",
        "ManagedSetting",
        "SettingData",
        false,
        false,
        {"RequestedType"})
    if ($Settings[] == null || Settings[].length != 1) {
        <ERROR! The required port settings are not available>
    }
}
```

Switch Profile

```
$PortSetting = $Settings[0]

// Step 4. Modify the port type to the specified type.
$PortSetting.RequestedType = #Type
ModifyInstance($PortSetting.getObjectPath(),
    $PortSetting,
    false,
    {"RequestedType"})

// Step 5. Verify that the port type modification was applied.
$Port = GetInstance($PortSetting.getObjectPath(),
    false,
    false,
    false,
    {"RequestedType"})
if ($PortSetting.RequestedType == #Type) {
    <EXIT! Port type request successfully>
}
<ERROR! Port type request was not modified as specified>
} else {
    <ERROR! Port type request cannot be set to specified type>
}
}
```

12.6.8 Set Fibre Channel Switch Principal Priority

```
// DESCRIPTION
// This recipe describes how to modify the Principal Priority of a Fibre Channel
// Switch.
//
// PRE-EXISTING CONDITIONS AND ASSUMPTIONS
//
// 1. A reference to the Switch whose Principal Priority to modify is known and
//    defined in the variable $Switch->
// 2. The desired Principal Priority of the Switch is known as #Priority.

// MAIN
// Step 1. Retrieve the capabilities of the Switch.
$SwitchCapabilities[] = Associators($Switch->,
    "CIM_ElementCapabilities",
    "CIM_FCSwitchCapabilities",
    "ManagedElement",
    "Capabilities",
    false,
    false,
    {"PrincipalPrioritiesSupported"})
if ($SwitchCapabilities[] == null || SwitchCapabilities[].length != 1) {
    <ERROR! The required Switch capabilities are not available>
}
}
```

Switch Profile

```
// Step 2. Verify that the Switch Principal Priority can be modified.
$Capabilities = $SwitchCapabilities[0]
if (!contains(5, $Capabilities.PrincipalPrioritiesSupported[])) {

    $SwitchSettings[] = Associators($Switch->,
        "CIM_ElementSettingData",
        "CIM_FCSwitchSettings",
        "ManagedElement",
        "SettingData",
        false,
        false,
        {"PrincipalPriority"})
    if ($SwitchSettings[] == null || SwitchSettings[].length != 1) {
        <ERROR! Required Switch settings are not available>
    }
    $Settings = $SwitchSettings[0]

    // Step 3. Ensure a new Principal Priority is being set.
    if (#Priority != $Settings.PrincipalPriority)) {

        // Step 4. Modify the Principal Priority of the Switch.
        $Settings.PrincipalPriority = #Priority
        ModifyInstance($Settings.getObjectPath(),
            $Settings,
            false,
            {"PrincipalPriority"})
        // Step 5. Verify that the Switch priority modification was applied.
        $Settings = GetInstance($Settings.getObjectPath(),
            false,
            false,
            false,
            {"PrincipalPriority"})
        if ($Settings.PrincipalPriority == #Priority) {
            <EXIT! Switch Principal Priority was modified successfully>
        }
        <EXIT! Switch Principal Priority was not modified successfully>
    } else {
        <ERROR! Principal Priority specified is already set>
    }
} else {
    // "Not Applicable"
    <EXIT! The Switch does not support Principal Priority modification>
}
```

12.6.9 Set Switch Name

```
// DESCRIPTION
```

Switch Profile

```
// This recipe describes how to modify the name of a Fibre Channel Switch.
//
// PRE-EXISTING CONDITIONS AND ASSUMPTIONS
//
// 1. A reference to the Switch whose name to modify is known and defined in
//    the variable $Switch->
// 2. The desired name of the Switch is known as #Name.

// MAIN
// Step 1. Retrieve the capabilities of the Switch.
$SwitchCapabilities[] = Associators($Switch->,
    "CIM_ElementCapabilities",
    "CIM_FCSwitchCapabilities",
    "ManagedElement",
    "Capabilities",
    false,
    false,
    {"ElementNameEditSupported", "MaxElementNameLen"})
if ($SwitchCapabilities[] == null || $SwitchCapabilities[].length != 1) {
    <ERROR! The required Switch capabilities are not available>
}

// Step 2. Verify that the Switch name can be modified.
$Capabilities = $SwitchCapabilities[0]
if ($Capabilities.ElementNameEditSupported) {

    // Step 3. Verify that the new name to be specified is within the
    // constraints of the name length supported by the Switch.
    if (#Name.length() < $Capabilities.MaxElementNameLen) {

        // Step 4. Retrieve the instance representing the Switch.
        $Switch = GetInstance($Switch->,
            false,
            false,
            false,
            {"ElementName"})

        // Step 5. Modify the name of the Switch.
        $Switch.ElementName = #Name
        ModifyInstance($Switch->,
            $Switch,
            false,
            {"ElementName"})

        // Step 6. Verify that the Switch name change was applied.
        $Switch = GetInstance($Switch->,
            false,
```

Switch Profile

```
        false,
        false,
        {"ElementName"})
    if (compare(#Name, $Switch.ElementName)) {
        <EXIT! Switch name was modified successfully>
    }
    <ERROR! Switch name was not modified successfully>
}
<ERROR! Specified Switch name exceeds length limit>
} else {
    <EXIT! The Switch does not support name modification>
}
}
```

12.6.10 Set Port Name

```
// DESCRIPTION
// This recipe describes how to modify the name of a Port on a Fibre Channel
// Switch.
//
// PRE-EXISTING CONDITIONS AND ASSUMPTIONS
// 1. The instance of the port to whose type to modify is known as $Port.
// 2. The desired name of the port is known as #Name.

// MAIN
// Step 1. Retrieve the capabilities of the port.
$PortCapabilities[] = Associators($Port.getObjectPath(),
    "CIM_ElementCapabilities",
    "CIM_FCPortCapabilities",
    "ManagedElement",
    "Capabilities",
    false,
    false,
    {"ElementNameEditSupported", "MaxElementNameLen"})
if ($PortCapabilities[] == null || $PortCapabilities[].length != 1) {
    <ERROR! The required Port capabilities are not available>
}

// Step 2. Verify that the port name can be modified.
$Capabilities = $PortCapabilities[0]
if ($Capabilities.ElementNameEditSupported) {

    // Step 3. Verify that the new name to be specified is within the
    // constraints of the name length supported by the port.
    if (#Name.length() < $Capabilities.MaxElementNameLen) {

        // Step 4. Modify the name of the port.
        $Port.ElementName = #Name
        ModifyInstance($Port.getObjectPath(),
```


Switch Profile

```
    $Port,
    false,
    {"ElementName"})

// Step 5. Verify that the port name change was applied.
$Port = GetInstance($Port.getObjectPath(),
    false,
    false,
    false,
    {"ElementName"})
if (compare(#Name, $Port.ElementName)) {
    <EXIT! Port name was modified successfully>
}
<ERROR! Port name was not modified successfully>
}
<ERROR! Specified Port name exceeds length limit>
} else {
    <EXIT! The Port does not support name modification>
}
```

12.6.11 Set Fibre Channel Switch Preferred Domain ID

```
// DESCRIPTION
//
// This recipe describes how to modify the preferred Domain ID of a Switch.
//
// PRE-EXISTING CONDITIONS AND ASSUMPTIONS
// 1. A reference to the Switch to reset is known and defined in the
//    variable $Switch->.
// 2. The new preferred Domain ID to be set on the Switch is known as #DomainID.

// MAIN
// Step 1. Retrieve the capabilities of the Switch.
$SwitchCapabilities[] = Associators($Switch->,
    "CIM_ElementCapabilities",
    "CIM_FCSwitchCapabilities",
    "ManagedElement",
    "Capabilities",
    false,
    false,
    {"DomainIDConfigurable", "MinDomainID", "MaxDomainID"})
if ($SwitchCapabilities[] == null || SwitchCapabilities[].length != 1) {
    <ERROR! The required Switch capabilities are not available>
}

// Step 2. Verify that the Switch's preferred Domain ID can be modified.
$Capabilities = $SwitchCapabilities[0]
if ($Capabilities.DomainIDConfigurable) {
```

Switch Profile

```
// Step 3. Verify that the desired Domain ID is within the permissible
// range.
if (#DomainID >= $Capabilities.MinDomainID
    && #DomainID <= $Capabilities.MaxDomainID) {

    // Step 4. Retrieve the Switch settings.
    $Settings[] = Associators($Switch->,
        "CIM_ElementSettingData",
        "CIM_FCSwitchSettings",
        "ManagedSetting",
        "SettingData",
        false,
        false,
        {"PreferredDomainID"})
    if ($Settings[] == null || Settings[].length != 1) {
        <ERROR! The required Switch settings are not available>
    }
    $SwitchSetting = $Settings[0]

    // Step 5. Modify the Switch Domain ID to the specified preferred value.
    $SwitchSetting.PreferredDomainID = #DomainID
    ModifyInstance($SwitchSetting.GetObjectPath(),
        $SwitchSetting,
        false,
        {"PreferredDomainID"})

    // Step 6. Verify that the Switch Domain ID modification was applied.
    $Switch = GetInstance($Switch->,
        false,
        false,
        false,
        {"IdentifyingDescriptions", "OtherIdentifyingInfo"})
    // NOTE: The Domain ID value is contained in the OtherIdentifyingInfo
    // property at the same index as the "DomainID" element index in the
    // IdentifyingDescriptions property.
    #index = -1
    while (#i < $Switch.IdentifyingDescriptions[].length
        && #index < 0) {
        if ($Switch.IdentifyingDescriptions[#i] == "DomainID") {
            #index = #i
        }
    }
    if (#index >= 0 && $Switch.OtherIdentifyingInfo[#index] == #DomainID) {
        <EXIT! Switch Domain ID successfully modified>
    }
    <ERROR! Switch Domain ID was not modified as specified>
}
```

Switch Profile

```
    } else {
      <ERROR! Domain ID specified is not within permitted range>
    }
  } else {
    <EXIT! Domain ID configuration on the specified Switch is not supported>
  }
}
```

12.6.12 Lock Fibre Channel Switch Domain ID

```
// DESCRIPTION
//
// This recipe describes how to set the Domain ID Lock of a Switch.
//
// PRE-EXISTING CONDITIONS AND ASSUMPTIONS
// 1. A reference to the Switch whose Domain ID to lock is known and defined
// in the variable $Switch->.

// MAIN
// Step 1. Retrieve the capabilities of the Switch.
$SwitchCapabilities[] = Associators($Switch->,
  "CIM_ElementCapabilities",
  "CIM_FCSwitchCapabilities",
  "ManagedElement",
  "Capabilities",
  false,
  false,
  {"DomainIDLockedSupported"})
if ($SwitchCapabilities[] == null || $SwitchCapabilities[].length != 1) {
  <ERROR! The required Switch capabilities are not available>
}

// Step 2. Verify that the Switch's Domain ID Lock can be set.
$Capabilities = $SwitchCapabilities[0]
if ($Capabilities.DomainIDLockedSupported) {

  // Step 3. Retrieve the Switch settings.
  $Settings[] = Associators($Switch->,
    "CIM_ElementSettingData",
    "CIM_FCSwitchSettings",
    "ManagedSetting",
    "SettingData",
    false,
    false,
    {"DomainIDLocked", "PreferredDomainID"})
  if ($Settings[] == null || $Settings[].length != 1) {
    <ERROR! The required Switch settings are not available>
  }
  $SwitchSetting = $Settings[0]
```

Switch Profile

```
#PreferredDomainID = $SwitchSetting.PreferredDomainID

// Step 4. Verify that the Domain ID is not already locked.
if ($SwitchSetting.DomainIDLocked) {
    <EXIT! The Domain ID Lock is already set>
}

// Step 5. Lock the Switch Domain ID.
$SwitchSetting.DomainIDLocked = true
ModifyInstance($SwitchSetting.GetObjectPath(),
    $SwitchSetting,
    false,
    {"DomainIDLocked"})

// Step 6. Verify that the Switch Domain ID specifies the preferred
// Domain ID.
$Switch = GetInstance($Switch->,
    false,
    false,
    false,
    {"IdentifyingDescriptions", "OtherIdentifyingInfo"})
// NOTE: The Domain ID value is contained in the OtherIdentifyingInfo
// property at the same index as the "DomainID" element index in the
// IdentifyingDescriptions property.
#index = -1
while (#i < $Switch.IdentifyingDescriptions[].length && #index < 0) {
    if ($Switch.IdentifyingDescriptions[#i] == "DomainID") {
        #index = #i
    }
}
if (#index >= 0 &&
    $Switch.OtherIdentifyingInfo[#index] == #PreferredDomainID) {
    <EXIT! Switch Domain ID successfully locked>
}
<ERROR! Switch Domain ID does not reflect the preferred Domain ID>
} else {
    <EXIT! Domain ID configuration on the specified Switch is not supported>
}
```

12.7 Registered Name and Version

Switch version 1.6.0 (Autonomous Profile)

CIM Schema Version: 2.29

12.8 CIM Elements

Table 139 describes the CIM elements for Switch.

Table 139 - CIM Elements for Switch

Element Name	Requirement	Description
12.8.1 CIM_ComputerSystem (Partitioned Switch)	Conditional	Conditional requirement: Support for the Switch Partitioning profile. Represents the Partitioned Switch.
12.8.2 CIM_ComputerSystem (Switch)	Mandatory	Represents the Switch Associated to RegisteredProfile.
12.8.3 CIM_ComputerSystemPackage	Mandatory	Associates PhysicalPackage to the ComputerSystem (Switch).
12.8.4 CIM_ElementCapabilities (FCPort to FCPortCapabilities)	Mandatory	Associates FCPort to the FCPortCapabilities.
12.8.5 CIM_ElementCapabilities (System to FCSwitchCapabilities)	Mandatory	Associates FCSwitchCapabilities to the ComputerSystem (Switch).
12.8.6 CIM_ElementSettingData (FCPortSettings to FCPort)	Optional	Associates FCPortSettings to FCPort.
12.8.7 CIM_ElementSettingData (FCSwitchSettings to ComputerSystem)	Conditional	Conditional requirement: Support for the Switch Configuration Data profile. Associates FCSwitchSettings to ComputerSystem (Switch).
12.8.8 CIM_ElementStatisticalData (FCPortRateStatistics to FCPort)	Optional	Associates FCPortRateStatistics to the FCPort.
12.8.9 CIM_ElementStatisticalData (FCPortStatistics to FCPort)	Mandatory	Associates FCPortStatistics to the FCPort.
12.8.10 CIM_FCPort (Partitioned Switch FCPort)	Conditional	Conditional requirement: Support for the Switch Partitioning profile. Fibre Channel Switch Port for a Virtual Switch.
12.8.11 CIM_FCPort (Switch FCPort)	Mandatory	Fibre Channel Switch Port.
12.8.12 CIM_FCPortCapabilities	Mandatory	Switch Port Capabilities.
12.8.13 CIM_FCPortRateStatistics	Optional	Fibre Channel Switch Port Rate Statistics.
12.8.14 CIM_FCPortSettings	Optional	Switch Port Settings.
12.8.15 CIM_FCPortStatistics	Mandatory	Fibre Channel Switch Port Statistics.
12.8.16 CIM_FCSwitchCapabilities	Mandatory	Fibre Channel Switch Capabilities.
12.8.17 CIM_FCSwitchSettings	Mandatory	Fibre Channel Switch Settings.
12.8.18 CIM_FilterCollection (Switch Predefined FilterCollection)	Conditional	Experimental. Conditional requirement: Required if the Experimental Indication Profile is supported and the SNIA_IndicationConfigurationCapabilities.SupportedFeatures='5' (Predefined Filter Collections). This is a collection of predefined IndicationFilters to which a client may subscribe.
12.8.19 CIM_FilterCollection (Switch ProfileSpecificLifecycleIndicationFilterCollection)	Optional	Experimental. This is a collection of Lifecycle IndicationFilters defined by the Switch Profile.
12.8.20 CIM_HostedCollection (Redundancy Set)	Optional	Associates the redundancy set of FCPorts to the ComputerSystem representing the switch.
12.8.21 CIM_HostedCollection (Statistics Collection)	Mandatory	Associates the Statistics Collection to the ComputerSystem representing the switch.

Table 139 - CIM Elements for Switch

Element Name	Requirement	Description
12.8.22 CIM_HostedCollection (Switch to ProfileSpecificLifecycleIndicationFilterCollection)	Optional	Experimental.
12.8.23 CIM_HostedCollection (Switch to predefined FilterCollection)	Conditional	Experimental. Conditional requirement: Required if the Experimental Indication Profile is supported and the SNIA_IndicationConfigurationCapabilities.SupportedFeatures='5' (Predefined Filter Collections).
12.8.24 CIM_IndicationFilter (Switch ComputerSystem Creation)	Conditional	Experimental. Conditional requirement: Required if the Experimental Indication Profile is supported and the SNIA_IndicationConfigurationCapabilities.SupportedFeatures='3' (Predefined Filters). This is the 'pre-defined' CIM_IndicationFilter instance for the addition of a new Switch computer system instance.
12.8.25 CIM_IndicationFilter (Switch ComputerSystem Deletion)	Conditional	Experimental. Conditional requirement: Required if the Experimental Indication Profile is supported and the SNIA_IndicationConfigurationCapabilities.SupportedFeatures='3' (Predefined Filters). This is the 'pre-defined' CIM_IndicationFilter instance for the removal of a switch computer system instance.
12.8.26 CIM_IndicationFilter (Switch ComputerSystem OperationalStatus)	Conditional	Experimental. Conditional requirement: Required if the Experimental Indication Profile is supported and the SNIA_IndicationConfigurationCapabilities.SupportedFeatures='3' (Predefined Filters). This is the 'pre-defined' CIM_IndicationFilter instance for the modification of OperationalStatus of a switch computer system instance.
12.8.27 CIM_IndicationFilter (Switch FCPort OperationalStatus)	Conditional	Experimental. Conditional requirement: Required if the Experimental Indication Profile is supported and the SNIA_IndicationConfigurationCapabilities.SupportedFeatures='3' (Predefined Filters). This is the 'pre-defined' CIM_IndicationFilter instance for the modification of OperationalStatus of an FCPort instance in the Switch.
12.8.28 CIM_IndicationFilter (WQL Switch ComputerSystem OperationalStatus)	Conditional	Deprecated. Conditional requirement: Required if the Experimental Indication Profile is supported and the SNIA_IndicationConfigurationCapabilities.SupportedFeatures='3' (Predefined Filters). This is the WQL 'pre-defined' CIM_IndicationFilter instance for OperationalStatus changes of a switch ComputerSystem instance.
12.8.29 CIM_IndicationFilter (WQL Switch FCPort OperationalStatus)	Conditional	Deprecated. Conditional requirement: Required if the Experimental Indication Profile is supported and the SNIA_IndicationConfigurationCapabilities.SupportedFeatures='3' (Predefined Filters). This is the WQL 'pre-defined' CIM_IndicationFilter instance for OperationalStatus changes of a switch FCPort instance.
12.8.30 CIM_MemberOfCollection (FCPort to RedundancySet)	Optional	Associates the FCPort to the RedundancySet.
12.8.31 CIM_MemberOfCollection (NetworkPortStatistics to StatisticalCollection)	Mandatory	Associates the NetworkPortStatistics to the StatisticsCollection.
12.8.32 CIM_MemberOfCollection (Predefined Filter Collection to Switch Filters)	Conditional	Experimental. Conditional requirement: Required if the Experimental Indication Profile is supported and the SNIA_IndicationConfigurationCapabilities.SupportedFeatures='5' (Predefined Filter Collections). This associates the switch predefined FilterCollection to the predefined Filters supported by the switch.

Table 139 - CIM Elements for Switch

Element Name	Requirement	Description
12.8.33 CIM_MemberOfCollection (Switch ProfileSpecificLifecycleIndicationFilterCollection to Switch Filters)	Optional	Experimental. This associates the Switch ProfileSpecificLifecycleIndicationFilterCollection to the Filters defined by the Switch Profile.
12.8.34 CIM_ProtocolEndpoint	Optional	The endpoint of a link (ActiveConnection).
12.8.35 CIM_RedundancySet	Optional	The class RedundancySet along with the association MemberOfCollection in this profile is used to show port aggregation for Fibre Channel trunking.
12.8.36 CIM_StatisticsCollection	Mandatory	Collection to aggregate the FCPortStatistics for each switch.
12.8.37 CIM_SystemDevice	Mandatory	Associates FCPort to the ComputerSystem (Switch).
SELECT * FROM CIM_InstCreation WHERE SourceInstance ISA CIM_ComputerSystem	Mandatory	New Switch Instance. See section <i>Storage Management Technical Specification, Part 6 Fabric, 1.6.1 Rev 6 12.8.24 CIM_IndicationFilter (Switch ComputerSystem Creation)</i> .
SELECT * FROM CIM_InstDeletion WHERE SourceInstance ISA CIM_ComputerSystem	Mandatory	Deletion of Switch Instance. See section <i>Storage Management Technical Specification, Part 6 Fabric, 1.6.1 Rev 6 12.8.25 CIM_IndicationFilter (Switch ComputerSystem Deletion)</i> .
SELECT * FROM CIM_InstModification WHERE SourceInstance ISA CIM_ComputerSystem AND SourceInstance.OperationalStatus <> PreviousInstance.OperationalStatus	Mandatory	Deprecated. Deprecated WQL -Modification of OperationalStatus in Switch Instance. See section <i>Storage Management Technical Specification, Part 6 Fabric, 1.6.1 Rev 6 12.8.28 CIM_IndicationFilter (WQL Switch ComputerSystem OperationalStatus)</i> .
SELECT * FROM CIM_InstModification WHERE SourceInstance ISA CIM_FCPort AND SourceInstance.OperationalStatus <> PreviousInstance.OperationalStatus	Mandatory	Deprecated. Deprecated WQL -Modification of OperationalStatus in FC Port Instance. See section <i>Storage Management Technical Specification, Part 6 Fabric, 1.6.1 Rev 6 12.8.29 CIM_IndicationFilter (WQL Switch FCPort OperationalStatus)</i> .
SELECT * FROM CIM_InstModification WHERE SourceInstance ISA CIM_ComputerSystem AND SourceInstance.CIM_ComputerSystem::OperationalStatus <> PreviousInstance.CIM_ComputerSystem::OperationalStatus	Mandatory	CQL -Modification of OperationalStatus in Switch Instance. See section <i>Storage Management Technical Specification, Part 6 Fabric, 1.6.1 Rev 6 12.8.26 CIM_IndicationFilter (Switch ComputerSystem OperationalStatus)</i> .
SELECT * FROM CIM_InstModification WHERE SourceInstance ISA CIM_FCPort AND SourceInstance.CIM_FCPort::OperationalStatus <> PreviousInstance.CIM_FCPort::OperationalStatus	Mandatory	CQL -Modification of OperationalStatus in FC Port Instance. See section <i>Storage Management Technical Specification, Part 6 Fabric, 1.6.1 Rev 6 12.8.27 CIM_IndicationFilter (Switch FCPort OperationalStatus)</i> .

12.8.1 CIM_ComputerSystem (Partitioned Switch)

Represents the Partitioned Switch. A Partitioned Switch shall contain 'Virtual Switch' in one of its entries in OtherIdentifyingInfo with a corresponding value of 'SNIA:DetailedType' in the IdentifyingDescriptions array property.

Created By: Static

Modified By: Static

Deleted By: Static

Requirement: Support for the Switch Partitioning profile.

Table 140 describes class CIM_ComputerSystem (Partitioned Switch).

Table 140 - SMI Referenced Properties/Methods for CIM_ComputerSystem (Partitioned Switch)

Properties	Flags	Requirement	Description & Notes
CreationClassName		Mandatory	See the CreationClassName definition in section <i>Storage Management Technical Specification, Part 6 Fabric, 1.6.1 Rev 6 12.8.2</i> CIM_ComputerSystem (Switch).
Name	D	Mandatory	See the Name definition in section <i>Storage Management Technical Specification, Part 6 Fabric, 1.6.1 Rev 6 12.8.2</i> CIM_ComputerSystem (Switch).
ElementName		Conditional	Conditional requirement: Support for the Fabric profile. See the ElementName definition in section <i>Storage Management Technical Specification, Part 6 Fabric, 1.6.1 Rev 6 4.8.9</i> CIM_ComputerSystem (Switch) User friendly name. Can be set if FCSwitchCapabilities.ElementNameEditSupported for the switch is True.
NameFormat		Mandatory	See the NameFormat definition in section <i>Storage Management Technical Specification, Part 6 Fabric, 1.6.1 Rev 6 12.8.2</i> CIM_ComputerSystem (Switch).
OtherIdentifyingInfo	C	Mandatory	DomainID stored in decimal format, with a value between 0 and 255. Another value corresponding to 'SNIA:DetailedType' shall contain 'Virtual Switch'. Other entries in OtherIdentifyingInfo may also exist.
OperationalStatus		Mandatory	See <i>Storage Management Technical Specification, Part 6 Fabric, 1.6.1 Rev 6 Table 3 - OperationalStatus</i> for ComputerSystem.
IdentifyingDescriptions		Mandatory	'DomainID' is placed into the entry that corresponds to the DomainID in OtherIdentifyingInfo and 'SNIA:DetailedType' is placed in the entry corresponding to 'Virtual Switch' in OtherIdentifyingInfo.
Dedicated		Mandatory	See the Dedicated definition in section <i>Storage Management Technical Specification, Part 6 Fabric, 1.6.1 Rev 6 12.8.2</i> CIM_ComputerSystem (Switch).
EnabledState		Conditional	Conditional requirement: Support for the Fabric profile. See the EnabledState definition in section <i>Storage Management Technical Specification, Part 6 Fabric, 1.6.1 Rev 6 4.8.9</i> CIM_ComputerSystem (Switch).
RequestedState		Mandatory	See the RequestedState definition in section <i>Storage Management Technical Specification, Part 6 Fabric, 1.6.1 Rev 6 12.8.2</i> CIM_ComputerSystem (Switch).
EnabledDefault		Optional	See the EnabledDefault definition in section <i>Storage Management Technical Specification, Part 6 Fabric, 1.6.1 Rev 6 12.8.2</i> CIM_ComputerSystem (Switch).
RequestStateChange()		Conditional	Conditional requirement: Support for a non-null value in FCSwitchCapabilities.RequestedStatesSupported.

12.8.2 CIM_ComputerSystem (Switch)

Represents the Switch.

Created By: Static

Modified By: Static

Deleted By: Static

Requirement: Mandatory

Shall be associated to RegisteredProfile using ElementConformsToProfile association. The RegisteredProfile instance shall have RegisteredName set to 'Switch', RegisteredOrganization set to 'SNIA', and RegisteredVersion set to '1.6.0'.

Table 141 describes class CIM_ComputerSystem (Switch).

Table 141 - SMI Referenced Properties/Methods for CIM_ComputerSystem (Switch)

Properties	Flags	Requirement	Description & Notes
CreationClassName		Mandatory	Name of Class.
Name	D	Mandatory	Switch Name (WWN).
ElementName		Conditional	Conditional requirement: Support for the Fabric profile. See the ElementName definition in section <i>Storage Management Technical Specification, Part 6 Fabric, 1.6.1 Rev 6 4.8.9 CIM_ComputerSystem (Switch)</i> User friendly name. Can be set if FCSwitchCapabilities.ElementNameEditSupported for the switch is True.
NameFormat		Mandatory	Shall be 'WWN'.
OtherIdentifyingInfo	C	Conditional	Conditional requirement: Support for the Fabric profile. See the OtherIdentifyingInfo definition in section <i>Storage Management Technical Specification, Part 6 Fabric, 1.6.1 Rev 6 4.8.9 CIM_ComputerSystem (Switch)</i> DomainID stored in decimal format, with a value between 0 and 255. In addition, if the Fabric profile is implemented, then another value corresponding to 'SNIA:DetailedType' shall contain 'Front Domain', 'Translate Domain', 'Virtual Switch', 'Backbone' or 'None'.
OperationalStatus		Mandatory	See <i>Storage Management Technical Specification, Part 6 Fabric, 1.6.1 Rev 6 Table 3 - OperationalStatus</i> for ComputerSystem.
IdentifyingDescriptions		Conditional	Conditional requirement: Support for the Fabric profile. See the IdentifyingDescriptions definition in section <i>Storage Management Technical Specification, Part 6 Fabric, 1.6.1 Rev 6 4.8.9 CIM_ComputerSystem (Switch)</i> 'DomainID' is placed into corresponding index of OtherIdentifyingInfo. In addition, if the Fabric profile is implemented, then one of the other indices shall contain the value 'SNIA:DetailedType' and in the corresponding index for OtherIdentifyingInfo a value of 'Front Domain' for an Inter-Fabric Routing (IFR) Front Domain, 'Translate Domain' for an Inter-Fabric Routing (IFR) Translate Domain, 'Virtual Switch' for a Partitioned Switch, 'Backbone' for a Backbone Switch, or 'None' when the other values don't apply.
Dedicated		Mandatory	'Switch'.
EnabledState		Conditional	Conditional requirement: Support for the Fabric profile. See the EnabledState definition in section <i>Storage Management Technical Specification, Part 6 Fabric, 1.6.1 Rev 6 4.8.9 CIM_ComputerSystem (Switch)</i> See Table ...
RequestedState		Mandatory	The Switch state requested via RequestStateChange(). Shall be of the range specified in FCSwitchCapabilities.RequestedStatesSupported if a state change has been requested. Otherwise shall be 'Not Applicable'.
EnabledDefault		Optional	Default startup for the Switch.
RequestStateChange()		Conditional	Conditional requirement: Support for a non-null value in FCSwitchCapabilities.RequestedStatesSupported.

12.8.3 CIM_ComputerSystemPackage

Associates PhysicalPackage to the ComputerSystem (Switch).

Created By: Static

Modified By: Static

Deleted By: Static

Requirement: Mandatory

Table 142 describes class CIM_ComputerSystemPackage.

Table 142 - SMI Referenced Properties/Methods for CIM_ComputerSystemPackage

Properties	Flags	Requirement	Description & Notes
Antecedent		Mandatory	The reference to the PhysicalPackage.
Dependent		Mandatory	The reference to the Switch ComputerSystem.

12.8.4 CIM_ElementCapabilities (FCPort to FCPortCapabilities)

Created By: Static

Modified By: Static

Deleted By: Static

Requirement: Mandatory

Table 143 describes class CIM_ElementCapabilities (FCPort to FCPortCapabilities).

Table 143 - SMI Referenced Properties/Methods for CIM_ElementCapabilities (FCPort to FCPortCapabilities)

Properties	Flags	Requirement	Description & Notes
ManagedElement		Mandatory	The reference to the switch FCPort.
Capabilities		Mandatory	The reference to the FCPortCapabilities.

12.8.5 CIM_ElementCapabilities (System to FCSwitchCapabilities)

Created By: Static

Modified By: Static

Deleted By: Static

Requirement: Mandatory

Table 144 describes class CIM_ElementCapabilities (System to FCSwitchCapabilities).

Table 144 - SMI Referenced Properties/Methods for CIM_ElementCapabilities (System to FCSwitchCapabilities)

Properties	Flags	Requirement	Description & Notes
ManagedElement		Mandatory	The reference to the Switch ComputerSystem.
Capabilities		Mandatory	The reference to the FCSwitchCapabilities.

12.8.6 CIM_ElementSettingData (FCPortSettings to FCPort)

Created By: Static

Modified By: Static

Deleted By: Static

Requirement: Optional

Table 145 describes class CIM_ElementSettingData (FCPortSettings to FCPort).

Table 145 - SMI Referenced Properties/Methods for CIM_ElementSettingData (FCPortSettings to FCPort)

Properties	Flags	Requirement	Description & Notes
ManagedElement		Mandatory	The reference to the switch FCPort.
SettingData		Mandatory	The reference to the FCPortSettings.

12.8.7 CIM_ElementSettingData (FCSwitchSettings to ComputerSystem)

Associates FCSwitchSettings to ComputerSystem (Switch).

Created By: Static

Modified By: Static

Deleted By: Static

Requirement: Support for the Switch Configuration Data profile.

Table 146 describes class CIM_ElementSettingData (FCSwitchSettings to ComputerSystem).

Table 146 - SMI Referenced Properties/Methods for CIM_ElementSettingData (FCSwitchSettings to ComputerSystem)

Properties	Flags	Requirement	Description & Notes
SettingData		Mandatory	The reference to the FCSwitchSettings.
ManagedElement		Mandatory	The reference to the switch ComputerSystem.

12.8.8 CIM_ElementStatisticalData (FCPortRateStatistics to FCPort)

Created By: Static

Modified By: Static

Deleted By: Static

Requirement: Optional

Table 147 describes class CIM_ElementStatisticalData (FCPortRateStatistics to FCPort).

Table 147 - SMI Referenced Properties/Methods for CIM_ElementStatisticalData (FCPortRateStatistics to FCPort)

Properties	Flags	Requirement	Description & Notes
Stats		Mandatory	The reference to the FCPortRateStatistics.
ManagedElement		Mandatory	The reference to the switch FCPort.

12.8.9 CIM_ElementStatisticalData (FCPortStatistics to FCPort)

Created By: Static

Modified By: Static

Deleted By: Static

Requirement: Mandatory

Table 148 describes class CIM_ElementStatisticalData (FCPortStatistics to FCPort).

Table 148 - SMI Referenced Properties/Methods for CIM_ElementStatisticalData (FCPortStatistics to FCPort)

Properties	Flags	Requirement	Description & Notes
Stats		Mandatory	The reference to the FCPortStatistics.
ManagedElement		Mandatory	The reference to the switch FCPort.

12.8.10 CIM_FCPort (Partitioned Switch FCPort)

The Fibre Channel Switch Port for a Virtual Switch.

Created By: Static

Modified By: Extrinsic: RequestStateChange

Deleted By: Static

Requirement: Support for the Switch Partitioning profile.

Table 149 describes class CIM_FCPort (Partitioned Switch FCPort).

Table 149 - SMI Referenced Properties/Methods for CIM_FCPort (Partitioned Switch FCPort)

Properties	Flags	Requirement	Description & Notes
SystemCreationClassName		Mandatory	See the SystemCreationClassName definition in section <i>Storage Management Technical Specification, Part 6 Fabric, 1.6.1 Rev 6 12.8.11</i> CIM_FCPort (Switch FCPort).
SystemName		Mandatory	See the SystemName definition in section <i>Storage Management Technical Specification, Part 6 Fabric, 1.6.1 Rev 6 12.8.11</i> CIM_FCPort (Switch FCPort).
CreationClassName		Mandatory	See the CreationClassName definition in section <i>Storage Management Technical Specification, Part 6 Fabric, 1.6.1 Rev 6 12.8.11</i> CIM_FCPort (Switch FCPort).
DeviceID		Mandatory	See the DeviceID definition in section <i>Storage Management Technical Specification, Part 6 Fabric, 1.6.1 Rev 6 12.8.11</i> CIM_FCPort (Switch FCPort).
ElementName		Mandatory	See the ElementName definition in section <i>Storage Management Technical Specification, Part 6 Fabric, 1.6.1 Rev 6 12.8.11</i> CIM_FCPort (Switch FCPort).
OperationalStatus		Mandatory	See <i>Storage Management Technical Specification, Part 6 Fabric, 1.6.1 Rev 6 Table 2 - Port OperationalStatus</i> .
EnabledState		Conditional	Conditional requirement: Support for the Fabric profile. See <i>Storage Management Technical Specification, Part 6 Fabric, 1.6.1 Rev 6</i> .

Table 149 - SMI Referenced Properties/Methods for CIM_FCPort (Partitioned Switch FCPort)

Properties	Flags	Requirement	Description & Notes
DetailedPortState		Mandatory	Experimental. See <i>Storage Management Technical Specification, Part 6 Fabric, 1.6.1 Rev 6</i> Table 136 - DetailedPortState for FCPort.
PortAvailability		Optional	Experimental. See <i>Storage Management Technical Specification, Part 6 Fabric, 1.6.1 Rev 6</i> Table 137 - PortAvailability for FCPort.
RequestedState		Mandatory	See the RequestedState definition in section <i>Storage Management Technical Specification, Part 6 Fabric, 1.6.1 Rev 6</i> 12.8.11 CIM_FCPort (Switch FCPort).
EnabledDefault		Mandatory	See the EnabledDefault definition in section <i>Storage Management Technical Specification, Part 6 Fabric, 1.6.1 Rev 6</i> 12.8.11 CIM_FCPort (Switch FCPort).
Speed		Mandatory	See the Speed definition in section <i>Storage Management Technical Specification, Part 6 Fabric, 1.6.1 Rev 6</i> 12.8.11 CIM_FCPort (Switch FCPort).
MaxSpeed		Mandatory	See the MaxSpeed definition in section <i>Storage Management Technical Specification, Part 6 Fabric, 1.6.1 Rev 6</i> 12.8.11 CIM_FCPort (Switch FCPort).
PortType		Mandatory	See the PortType definition in section <i>Storage Management Technical Specification, Part 6 Fabric, 1.6.1 Rev 6</i> 12.8.11 CIM_FCPort (Switch FCPort).
PortNumber		Mandatory	See the PortNumber definition in section <i>Storage Management Technical Specification, Part 6 Fabric, 1.6.1 Rev 6</i> 12.8.11 CIM_FCPort (Switch FCPort).
PermanentAddress		Mandatory	See the PermanentAddress definition in section <i>Storage Management Technical Specification, Part 6 Fabric, 1.6.1 Rev 6</i> 12.8.11 CIM_FCPort (Switch FCPort).
LinkTechnology		Mandatory	See the LinkTechnology definition in section <i>Storage Management Technical Specification, Part 6 Fabric, 1.6.1 Rev 6</i> 12.8.11 CIM_FCPort (Switch FCPort).
PortDiscriminator		Conditional	Experimental. Conditional requirement: Support for the Switch Partitioning profile. This array property identifies the context in which this FCPort is instantiated. For Partitioned Switch FCPorts, the values may be '3' (VF), '6' (IFR (Virtual)) or '7' (NPIV).
DomainPortNumber		Optional	Experimental. The port number used for domain id and physical port zone members.
LogicalModulePortNumber		Optional	Experimental. The port number labeled for an administrative purposes relative to the logical module.
RequestStateChange()		Conditional	Conditional requirement: Support for a non-null value in FCPortCapabilities.RequestedStatesSupported. See the RequestStateChange definition in section <i>Storage Management Technical Specification, Part 6 Fabric, 1.6.1 Rev 6</i> 12.8.11 CIM_FCPort (Switch FCPort).

12.8.11 CIM_FCPort (Switch FCPort)

The Fibre Channel Switch Port.

Created By: Static

Modified By: Extrinsic: RequestStateChange

Deleted By: Static

Requirement: Mandatory

Table 150 describes class CIM_FCPort (Switch FCPort).

Table 150 - SMI Referenced Properties/Methods for CIM_FCPort (Switch FCPort)

Properties	Flags	Requirement	Description & Notes
SystemCreationClassName		Mandatory	The scoping System's CreationClassName.
SystemName		Mandatory	The scoping System's Name.
CreationClassName		Mandatory	The Class Name.
DeviceID		Mandatory	Opaque.
ElementName		Mandatory	User friendly name. Can be set if FCPortCapabilities.ElementNameEditSupported is True.
OperationalStatus		Mandatory	See <i>Storage Management Technical Specification, Part 6 Fabric, 1.6.1 Rev 6 Table 2 - Port OperationalStatus</i> .
EnabledState		Conditional	Conditional requirement: Support for the Fabric profile. See <i>Storage Management Technical Specification, Part 6 Fabric, 1.6.1 Rev 6</i> .
DetailedPortState		Mandatory	Experimental. See <i>Storage Management Technical Specification, Part 6 Fabric, 1.6.1 Rev 6 Table 136 - DetailedPortState</i> for FCPort.
PortAvailability		Optional	Experimental. See <i>Storage Management Technical Specification, Part 6 Fabric, 1.6.1 Rev 6 Table 137 - PortAvailability</i> for FCPort.
RequestedState		Mandatory	The port state requested via RequestStateChange(). Shall be of the range specified in FCPortCapabilities.RequestedStatesSupported if a state change has been requested. Otherwise shall be 'Not Applicable'.
EnabledDefault		Mandatory	Default startup for the port. Used in conjunction with RequestedState can allow for persistent disabling of a port.
Speed		Mandatory	Speed of zero represents a link not established. 1Gb is 1062500000 bps 2Gb is 2125000000 bps 4Gb is 4250000000 bps 10Gb single channel variants are 10518750000 bps 10Gb four channel variants are 12750000000 bps This is the raw bit rate.
MaxSpeed		Mandatory	The max speed of the Port in Bits per Second using the same algorithm as Speed.
PortType		Mandatory	FC-GS Port.Type The specific mode currently enabled for the Port. The values: 'N' = Node Port 'NL' = Node Port supporting FC arbitrated loop 'E' = Expansion Port connecting fabric elements (for example, FC switches) 'F' = Fabric (element) Port 'FL' = Fabric (element) Port supporting FC arbitrated loop 'B' = Bridge Port. PortTypes are defined in the ANSI INCITS FC-GS standards. Can be set using FCPortSettings.RequestedType.

Table 150 - SMI Referenced Properties/Methods for CIM_FCPort (Switch FCPort)

Properties	Flags	Requirement	Description & Notes
PortNumber		Mandatory	NetworkPorts are often numbered relative to either a logical modules or a network element.
PermanentAddress		Mandatory	Fibre Channel Port WWN.
LinkTechnology		Mandatory	'FC'.
PortDiscriminator		Optional	Experimental. This array property identifies the context in which this FCPort is instantiated. For this version of the standard, the values may be '0' (Unknown), '2' (Not applicable), '3' (VF), '4' (FCIP), '5' (IFR), '6' (IFR (Virtual)), '7' (NPIV), '8' (Internal) or '9' (Chassis).
DomainPortNumber		Optional	Experimental. The port number used for domain id and physical port zone members.
LogicalModulePortNumber		Optional	Experimental. The port number labeled for an administrative purposes relative to the logical module.
RequestStateChange()		Conditional	Conditional requirement: Support for a non-null value in FCPortCapabilities.RequestedStatesSupported. Method to change the port state. FCPortCapabilities.RequestedStatesSupported indicates what states can be set.

12.8.12 CIM_FCPortCapabilities

Created By: Static

Modified By: Static

Deleted By: Static

Requirement: Mandatory

Table 151 describes class CIM_FCPortCapabilities.

Table 151 - SMI Referenced Properties/Methods for CIM_FCPortCapabilities

Properties	Flags	Requirement	Description & Notes
InstanceID		Mandatory	Opaque.
ElementName		Mandatory	Shall be 'FC Port Capabilities'.
ElementNameEditSupported		Mandatory	Indicates whether FCPort.ElementName is settable.
MaxElementNameLen		Mandatory	Indicates the maximum string length of FCPort.ElementName.
RequestedStatesSupported	N	Mandatory	Indicates the supported states for calling FCPort.RequestStateChange(). If this property is NULL it means RequestedStateChange is not supported. Otherwise the values may be '2' (Enabled), '3' (Disabled), '4' (Shutdown), '6' (Offline), '7' (Test), '8' (Defer), '9' (Quiesce), '10' (Reboot) and/or '11' (Reset). If either '2' (Enabled) or '3' (Disabled) is supported, that both '2' (Enabled) and '3' (Disabled) shall be supported.
RequestedSpeedsSupported		Mandatory	Indicates the supported speeds that can be set in FCPortSettings.RequestedSpeed.
AutoSenseSpeedConfigurable		Mandatory	Indicates whether FCPortSettings.AutoSenseSpeed can be set to auto-negotiate speed.

Table 151 - SMI Referenced Properties/Methods for CIM_FCPortCapabilities

Properties	Flags	Requirement	Description & Notes
RequestedTypesSupported		Mandatory	Indicates the list of supported port types that can be set in FCPortSettings.RequestedType.
NPIVSupported		Optional	Experimental.
MaxNPIVLogins		Optional	Experimental.

12.8.13 CIM_FCPortRateStatistics

Fibre Channel Switch Port Rate Statistics represent the rate per second over the SampleInterval. An instance of this class can represent the statistics for the current statistics, archived and consolidated statistics, or both.

Created By: Static

Modified By: Static

Deleted By: Static

Requirement: Optional

Table 152 describes class CIM_FCPortRateStatistics.

Table 152 - SMI Referenced Properties/Methods for CIM_FCPortRateStatistics

Properties	Flags	Requirement	Description & Notes
InstanceID		Mandatory	Opaque.
StatisticTime		Mandatory	The time the statistic was collected.
SampleInterval		Mandatory	The interval at which the rates are calculated.
TxFramerate		Optional	
RxFramerate		Optional	
MaxTxFrameRate		Optional	
MaxRxFrameRate		Optional	
TxRate		Mandatory	
RxRate		Mandatory	
PeakTxRate		Optional	
PeakRxRate		Optional	

12.8.14 CIM_FCPortSettings

Created By: Static

Modified By: Static

Deleted By: Static

Requirement: Optional

Table 153 describes class CIM_FCPortSettings.

Table 153 - SMI Referenced Properties/Methods for CIM_FCPortSettings

Properties	Flags	Requirement	Description & Notes
InstanceID		Mandatory	Opaque.
ElementName		Mandatory	Shall be 'FC Port Settings'.
RequestedSpeed	M	Mandatory	The requested value to which FCPort.Speed should be set.
AutoSenseSpeed	M	Mandatory	The request for the FCPort to auto sense the speed (FCPort.Speed).
RequestedType	M	Mandatory	The requested setting for the FCPort.PortType.

12.8.15 CIM_FCPortStatistics

Snapshot of performance and error counters for the Fibre Channel Switch.

Created By: Static

Modified By: Static

Deleted By: Static

Requirement: Mandatory

Table 154 describes class CIM_FCPortStatistics.

Table 154 - SMI Referenced Properties/Methods for CIM_FCPortStatistics

Properties	Flags	Requirement	Description & Notes
InstanceID		Mandatory	Opaque.
StatisticTime		Optional	The time the statistics were collected. If historical data is instantiated (present), this property shall be set with the time representing the time the statistic was collected.
ElementName		Optional	
BytesTransmitted		Mandatory	
BytesReceived		Mandatory	
PacketsTransmitted		Mandatory	
PacketsReceived		Mandatory	
CRCErrors		Mandatory	
LinkFailures		Mandatory	
PrimitiveSeqProtocolErrCount		Mandatory	
LIPCount		Optional	
NOSCount		Optional	
ErrorFrames		Optional	
DumpedFrames		Optional	
LossOfSignalCounter		Optional	
LossOfSyncCounter		Optional	
InvalidTransmissionWords		Optional	

Table 154 - SMI Referenced Properties/Methods for CIM_FCPortStatistics

Properties	Flags	Requirement	Description & Notes
FramesTooShort		Optional	
FramesTooLong		Optional	
AddressErrors		Optional	
BufferCreditNotProvided		Optional	
BufferCreditNotReceived		Optional	
DelimiterErrors		Optional	
EncodingDisparityErrors		Optional	
LinkResetsReceived		Optional	
LinkResetsTransmitted		Optional	
MulticastFramesReceived		Optional	
MulticastFramesTransmitted		Optional	
FBSYFrames		Optional	
PBSYFrames		Optional	
FRJTFrames		Optional	
PRJTFrames		Optional	
RXClass1Frames		Optional	
TXClass1Frames		Optional	
Class1FBSY		Optional	
Class1PBSY		Optional	
Class1FRJT		Optional	
Class1PRJT		Optional	
RXClass2Frames		Optional	
TXClass2Frames		Optional	
Class2FBSY		Optional	
Class2PBSY		Optional	
Class2FRJT		Optional	
Class2PRJT		Optional	
RXClass3Frames		Optional	
TXClass3Frames		Optional	
Class3FramesDiscarded		Optional	
RXBroadcastFrames		Optional	
TXBroadcastFrames		Optional	
FramePacingCount		Optional	Experimental. The number of 2.5 microsecond units that a frame transmission is blocked due to 0 BB credits.

12.8.16 CIM_FCSwitchCapabilities

Fibre Channel Switch Capabilities

EXPERIMENTAL |

When the attached HBA supports FC-SB, and the switch is in a cascaded configuration, DomainIDConfigureable and DomainIDLockedSupported shall be TRUE.

| EXPERIMENTAL.

Created By: Static

Modified By: Static

Deleted By: Static

Requirement: Mandatory

Table 155 describes class CIM_FCSwitchCapabilities.

Table 155 - SMI Referenced Properties/Methods for CIM_FCSwitchCapabilities

Properties	Flags	Requirement	Description & Notes
InstanceID		Mandatory	Opaque.
ElementName		Mandatory	Shall be 'FC Switch Capabilities'.
ElementNameEditSupported		Mandatory	Capability indicating whether ComputerSystem.ElementName for the switch can be set.
MaxElementNameLen		Mandatory	Capability specifying the maximum name of ComputerSystem.ElementName for the switch.
RequestedStatesSupported	N	Mandatory	The states the switch can support via ComputerSystem.RequestedState. If this property is NULL it means RequestedStateChange is not supported. Otherwise the values may be '2' (Enabled), '3' (Disabled), '4' (Shutdown), '6' (Offline), '7' (Test), '8' (Defer), '9' (Quiesce), '10' (Reboot) and/or '11' (Reset).
DomainIDConfigureable		Mandatory	Indicates whether the DomainID setting can be modified.
MinDomainID		Conditional	Conditional requirement: Support for DomainID configuration. Shall be set if DomainIDConfigureable is true.
MaxDomainID		Conditional	Conditional requirement: Support for DomainID configuration. Shall be set if DomainIDConfigureable is true.
DomainIDLockedSupported		Mandatory	
PrincipalPrioritiesSupported		Mandatory	
NPIVSupported		Optional	Experimental.

12.8.17 CIM_FCSwitchSettings

Fibre Channel Switch Settings

EXPERIMENTAL |

When the attached HBA supports FC-SB, and the switch is in a cascaded configuration, PreferredDomainID shall be set to a unique value, and DomainIDLocked shall be true.

| EXPERIMENTAL.

Created By: Static

Modified By: Static

Deleted By: Static

Requirement: Mandatory

Table 156 describes class CIM_FCSwitchSettings.

Table 156 - SMI Referenced Properties/Methods for CIM_FCSwitchSettings

Properties	Flags	Requirement	Description & Notes
InstanceID		Mandatory	Opaque.
ElementName		Mandatory	Shall be 'FC Switch Settings'.
PreferredDomainID	M	Conditional	Conditional requirement: Support for DomainID configuration. Required if FCSwitchCapabilities.DomainIDConfigurable is TRUE.
DomainIDLlocked	M	Conditional	Conditional requirement: Support for DomainID locking. Required if FCSwitchCapabilities.DomainIDLockSupported is TRUE.
PrincipalPriority	M	Conditional	Conditional requirement: Support for Principal Priorities. Required if FCSwitchCapabilities.PrincipalPrioritiesSupported is not set to 'Not Applicable'.

12.8.18 CIM_FilterCollection (Switch Predefined FilterCollection)

Experimental. This is a collection of predefined IndicationFilters to which a client may subscribe. A switch implementation shall indicate support for predefined FilterCollections by the SNIA_IndicationConfigurationCapabilities.FeaturesSupported = '5' (Predefined Filter Collections).

Requirement: Required if the Experimental Indication Profile is supported and the SNIA_IndicationConfigurationCapabilities.SupportedFeatures='5' (Predefined Filter Collections).

Table 157 describes class CIM_FilterCollection (Switch Predefined FilterCollection).

Table 157 - SMI Referenced Properties/Methods for CIM_FilterCollection (Switch Predefined FilterCollection)

Properties	Flags	Requirement	Description & Notes
InstanceID		Mandatory	Shall specify the unique identifier for an instance of this class within the Implementation namespace.
CollectionName		Mandatory	The value of CollectionName shall be 'SNIA:Switch:Predefined'.

12.8.19 CIM_FilterCollection (Switch ProfileSpecificLifecycleIndicationFilterCollection)

Experimental. This is a collection of Lifecycle IndicationFilters defined by the Switch Profile.

Requirement: Optional

Table 158 describes class CIM_FilterCollection (Switch ProfileSpecificLifecycleIndicationFilterCollection).

Table 158 - SMI Referenced Properties/Methods for CIM_FilterCollection (Switch ProfileSpecificLifecycleIndicationFilterCollection)

Properties	Flags	Requirement	Description & Notes
InstanceID		Mandatory	See the InstanceID definition in section <i>Storage Management Technical Specification, Part 3 Common Profiles, 1.6.1 Rev 6 50.6.13</i> CIM_FilterCollection (StaticFilterCollection).
CollectionName		Mandatory	The value of CollectionName shall be 'SNIA:Switch:ProfileSpecificLifecycleIndicationFilterCollection'.

12.8.20 CIM_HostedCollection (Redundancy Set)

Created By: Static

Modified By: Static

Deleted By: Static

Requirement: Optional

Table 159 describes class CIM_HostedCollection (Redundancy Set).

Table 159 - SMI Referenced Properties/Methods for CIM_HostedCollection (Redundancy Set)

Properties	Flags	Requirement	Description & Notes
Antecedent		Mandatory	The switch ComputerSystem.
Dependent		Mandatory	The redundancy set of FCPorts.

12.8.21 CIM_HostedCollection (Statistics Collection)

Created By: Static

Modified By: Static

Deleted By: Static

Requirement: Mandatory

Table 160 describes class CIM_HostedCollection (Statistics Collection).

Table 160 - SMI Referenced Properties/Methods for CIM_HostedCollection (Statistics Collection)

Properties	Flags	Requirement	Description & Notes
Antecedent		Mandatory	The switch ComputerSystem.
Dependent		Mandatory	The Statistics Collection.

12.8.22 CIM_HostedCollection (Switch to ProfileSpecificLifecycleIndicationFilterCollection)

Experimental.

Requirement: Optional

Table 161 describes class CIM_HostedCollection (Switch to ProfileSpecificLifecycleIndicationFilterCollection).

Table 161 - SMI Referenced Properties/Methods for CIM_HostedCollection (Switch to ProfileSpecificLifecycleIndicationFilterCollection)

Properties	Flags	Requirement	Description & Notes
Dependent		Mandatory	Reference to the ProfileSpecificLifecycleIndicationFilterCollection for the Switch.
Antecedent		Mandatory	Reference to the Switch ComputerSystem.

12.8.23 CIM_HostedCollection (Switch to predefined FilterCollection)

Experimental.

Requirement: Required if the Experimental Indication Profile is supported and the SNIA_IndicationConfigurationCapabilities.SupportedFeatures='5' (Predefined Filter Collections).

Table 162 describes class CIM_HostedCollection (Switch to predefined FilterCollection).

Table 162 - SMI Referenced Properties/Methods for CIM_HostedCollection (Switch to predefined FilterCollection)

Properties	Flags	Requirement	Description & Notes
Dependent		Mandatory	Reference to the predefined FilterCollection for the Switch.
Antecedent		Mandatory	Reference to the Switch ComputerSystem.

12.8.24 CIM_IndicationFilter (Switch ComputerSystem Creation)

Experimental. This is the 'pre-defined' CIM_IndicationFilter instance for the addition of a new switch computer system instance. This would represent the addition of a switch computer system. This is a special case of the CIM_IndicationFilter (pre-defined) class as defined in the Indication Profile.

Created By: Static

Modified By: Static

Deleted By: Static

Requirement: Required if the Experimental Indication Profile is supported and the SNIA_IndicationConfigurationCapabilities.SupportedFeatures='3' (Predefined Filters).

Table 163 describes class CIM_IndicationFilter (Switch ComputerSystem Creation).

Table 163 - SMI Referenced Properties/Methods for CIM_IndicationFilter (Switch ComputerSystem Creation)

Properties	Flags	Requirement	Description & Notes
SystemCreationClassName		Mandatory	See the SystemCreationClassName definition in section <i>Storage Management Technical Specification, Part 3 Common Profiles, 1.6.1 Rev 6 50.6.25</i> CIM_IndicationFilter (StaticIndicationFilter).
CreationClassName		Mandatory	See the CreationClassName definition in section <i>Storage Management Technical Specification, Part 3 Common Profiles, 1.6.1 Rev 6 50.6.25</i> CIM_IndicationFilter (StaticIndicationFilter).
SystemName		Mandatory	See the SystemName definition in section <i>Storage Management Technical Specification, Part 3 Common Profiles, 1.6.1 Rev 6 50.6.25</i> CIM_IndicationFilter (StaticIndicationFilter).
Name		Mandatory	This shall be 'SNIA:Switch:ComputerSystemCreation'.
SourceNamespace	N	Optional	Deprecated. See the SourceNamespace definition in section <i>Storage Management Technical Specification, Part 3 Common Profiles, 1.6.1 Rev 6 50.6.28</i> CIM_IndicationFilter (pre-defined).
SourceNamespaces	N	Mandatory	Experimental. See the SourceNamespaces definition in section <i>Storage Management Technical Specification, Part 3 Common Profiles, 1.6.1 Rev 6 50.6.25</i> CIM_IndicationFilter (StaticIndicationFilter).
Query		Mandatory	SELECT * FROM CIM_InstCreation WHERE SourceInstance ISA CIM_ComputerSystem.

Table 163 - SMI Referenced Properties/Methods for CIM_IndicationFilter (Switch ComputerSystem Creation)

Properties	Flags	Requirement	Description & Notes
QueryLanguage		Mandatory	This should be 'DMTF:CQL' for CQL queries, but may be 'WQL' or 'SMI-S V1.0'. WQL and SMI-S V1.0 are deprecated in favor of 'DMTF:CQL'.
ElementName	N	Optional	See the ElementName definition in section <i>Storage Management Technical Specification, Part 3 Common Profiles, 1.6.1 Rev 6 50.6.28</i> CIM_IndicationFilter (pre-defined).

12.8.25 CIM_IndicationFilter (Switch ComputerSystem Deletion)

Experimental. This is the 'pre-defined' CIM_IndicationFilter instance for the removal of a switch computer system instance. This would represent the removal of a switch computer system. This is a special case of the CIM_IndicationFilter (pre-defined) class as defined in the Indication Profile.

Created By: Static

Modified By: Static

Deleted By: Static

Requirement: Required if the Experimental Indication Profile is supported and the SNIA_IndicationConfigurationCapabilities.SupportedFeatures='3' (Predefined Filters).

Table 164 describes class CIM_IndicationFilter (Switch ComputerSystem Deletion).

Table 164 - SMI Referenced Properties/Methods for CIM_IndicationFilter (Switch ComputerSystem Deletion)

Properties	Flags	Requirement	Description & Notes
SystemCreationClassName		Mandatory	See the SystemCreationClassName definition in section <i>Storage Management Technical Specification, Part 3 Common Profiles, 1.6.1 Rev 6 50.6.25</i> CIM_IndicationFilter (StaticIndicationFilter).
CreationClassName		Mandatory	See the CreationClassName definition in section <i>Storage Management Technical Specification, Part 3 Common Profiles, 1.6.1 Rev 6 50.6.25</i> CIM_IndicationFilter (StaticIndicationFilter).
SystemName		Mandatory	See the SystemName definition in section <i>Storage Management Technical Specification, Part 3 Common Profiles, 1.6.1 Rev 6 50.6.25</i> CIM_IndicationFilter (StaticIndicationFilter).
Name		Mandatory	This shall be 'SNIA:Switch:ComputerSystemDeletion'.
SourceNamespace	N	Optional	Deprecated. See the SourceNamespace definition in section <i>Storage Management Technical Specification, Part 3 Common Profiles, 1.6.1 Rev 6 50.6.28</i> CIM_IndicationFilter (pre-defined).
SourceNamespaces	N	Mandatory	Experimental. See the SourceNamespaces definition in section <i>Storage Management Technical Specification, Part 3 Common Profiles, 1.6.1 Rev 6 50.6.25</i> CIM_IndicationFilter (StaticIndicationFilter).
Query		Mandatory	SELECT * FROM CIM_InstDeletion WHERE SourceInstance ISA CIM_ComputerSystem.
QueryLanguage		Mandatory	This should be 'DMTF:CQL' for CQL queries, but may be 'WQL' or 'SMI-S V1.0'. WQL and SMI-S V1.0 are deprecated in favor of 'DMTF:CQL'.
ElementName	N	Optional	See the ElementName definition in section <i>Storage Management Technical Specification, Part 3 Common Profiles, 1.6.1 Rev 6 50.6.28</i> CIM_IndicationFilter (pre-defined).

12.8.26 CIM_IndicationFilter (Switch ComputerSystem OperationalStatus)

Experimental. This is the 'pre-defined' CIM_IndicationFilter instance for the change of OperationalStatus of a switch ComputerSystem instance. This would represent the status change to a switch computer system. This is a special case of the CIM_IndicationFilter (pre-defined) class as defined in the Indication Profile.

Created By: Static

Modified By: Static

Deleted By: Static

Requirement: Required if the Experimental Indication Profile is supported and the SNIA_IndicationConfigurationCapabilities.SupportedFeatures='3' (Predefined Filters).

Table 165 describes class CIM_IndicationFilter (Switch ComputerSystem OperationalStatus).

Table 165 - SMI Referenced Properties/Methods for CIM_IndicationFilter (Switch ComputerSystem OperationalStatus)

Properties	Flags	Requirement	Description & Notes
SystemCreationClassName		Mandatory	See the SystemCreationClassName definition in section <i>Storage Management Technical Specification, Part 3 Common Profiles, 1.6.1 Rev 6 50.6.25 CIM_IndicationFilter (StaticIndicationFilter)</i> .
CreationClassName		Mandatory	See the CreationClassName definition in section <i>Storage Management Technical Specification, Part 3 Common Profiles, 1.6.1 Rev 6 50.6.25 CIM_IndicationFilter (StaticIndicationFilter)</i> .
SystemName		Mandatory	See the SystemName definition in section <i>Storage Management Technical Specification, Part 3 Common Profiles, 1.6.1 Rev 6 50.6.25 CIM_IndicationFilter (StaticIndicationFilter)</i> .
Name		Mandatory	This shall be 'SNIA:Switch:ComputerSystemOperationalStatus'.
SourceNamespace	N	Optional	Deprecated. See the SourceNamespace definition in section <i>Storage Management Technical Specification, Part 3 Common Profiles, 1.6.1 Rev 6 50.6.28 CIM_IndicationFilter (pre-defined)</i> .
SourceNamespaces	N	Mandatory	Experimental. See the SourceNamespaces definition in section <i>Storage Management Technical Specification, Part 3 Common Profiles, 1.6.1 Rev 6 50.6.25 CIM_IndicationFilter (StaticIndicationFilter)</i> .
Query		Mandatory	SELECT * FROM CIM_InstModification WHERE SourceInstance ISA CIM_ComputerSystem AND SourceInstance.CIM_ComputerSystem::OperationalStatus <> PreviousInstance.CIM_ComputerSystem::OperationalStatus.
QueryLanguage		Mandatory	This shall be 'DMTF:CQL' for CQL queries.
ElementName	N	Optional	See the ElementName definition in section <i>Storage Management Technical Specification, Part 3 Common Profiles, 1.6.1 Rev 6 50.6.28 CIM_IndicationFilter (pre-defined)</i> .

12.8.27 CIM_IndicationFilter (Switch FCPort OperationalStatus)

Experimental. This is the 'pre-defined' CIM_IndicationFilter instance for the change of OperationalStatus of a switch FCPort instance. This would represent the status change to a switch FCPort. This is a special case of the CIM_IndicationFilter (pre-defined) class as defined in the Indication Profile.

Created By: Static

Modified By: Static

Deleted By: Static

Requirement: Required if the Experimental Indication Profile is supported and the SNIA_IndicationConfigurationCapabilities.SupportedFeatures='3' (Predefined Filters).

Table 166 describes class CIM_IndicationFilter (Switch FCPort OperationalStatus).

Table 166 - SMI Referenced Properties/Methods for CIM_IndicationFilter (Switch FCPort OperationalStatus)

Properties	Flags	Requirement	Description & Notes
SystemCreationClassName		Mandatory	See the SystemCreationClassName definition in section <i>Storage Management Technical Specification, Part 3 Common Profiles, 1.6.1 Rev 6 50.6.25</i> CIM_IndicationFilter (StaticIndicationFilter).
CreationClassName		Mandatory	See the CreationClassName definition in section <i>Storage Management Technical Specification, Part 3 Common Profiles, 1.6.1 Rev 6 50.6.25</i> CIM_IndicationFilter (StaticIndicationFilter).
SystemName		Mandatory	See the SystemName definition in section <i>Storage Management Technical Specification, Part 3 Common Profiles, 1.6.1 Rev 6 50.6.25</i> CIM_IndicationFilter (StaticIndicationFilter).
Name		Mandatory	This shall be 'SNIA:Switch:FCPortOperationalStatus'.
SourceNamespace	N	Optional	Deprecated. See the SourceNamespace definition in section <i>Storage Management Technical Specification, Part 3 Common Profiles, 1.6.1 Rev 6 50.6.28</i> CIM_IndicationFilter (pre-defined).
SourceNamespaces	N	Mandatory	Experimental. See the SourceNamespaces definition in section <i>Storage Management Technical Specification, Part 3 Common Profiles, 1.6.1 Rev 6 50.6.25</i> CIM_IndicationFilter (StaticIndicationFilter).
Query		Mandatory	SELECT * FROM CIM_InstModification WHERE SourceInstance ISA CIM_FCPort AND SourceInstance.CIM_FCPort::OperationalStatus <> PreviousInstance.CIM_FCPort::OperationalStatus.
QueryLanguage		Mandatory	This shall be 'DMTF:CQL' for CQL queries.
ElementName	N	Optional	See the ElementName definition in section <i>Storage Management Technical Specification, Part 3 Common Profiles, 1.6.1 Rev 6 50.6.28</i> CIM_IndicationFilter (pre-defined).

12.8.28CIM_IndicationFilter (WQL Switch ComputerSystem OperationalStatus)

Deprecated. This is the WQL 'pre-defined' CIM_IndicationFilter instance for OperationalStatus changes of a switch computer system instance. This would represent the OperationalStatus changes of a switch computer system. This is a special case of the CIM_IndicationFilter (pre-defined) class as defined in the Indication Profile.

Created By: Static

Modified By: Static

Deleted By: Static

Requirement: Required if the Experimental Indication Profile is supported and the SNIA_IndicationConfigurationCapabilities.SupportedFeatures='3' (Predefined Filters).

Table 167 describes class CIM_IndicationFilter (WQL Switch ComputerSystem OperationalStatus).

Table 167 - SMI Referenced Properties/Methods for CIM_IndicationFilter (WQL Switch ComputerSystem OperationalStatus)

Properties	Flags	Requirement	Description & Notes
SystemCreationClassName		Mandatory	See the SystemCreationClassName definition in section <i>Storage Management Technical Specification, Part 3 Common Profiles, 1.6.1 Rev 6 50.6.25</i> CIM_IndicationFilter (StaticIndicationFilter).
CreationClassName		Mandatory	See the CreationClassName definition in section <i>Storage Management Technical Specification, Part 3 Common Profiles, 1.6.1 Rev 6 50.6.25</i> CIM_IndicationFilter (StaticIndicationFilter).
SystemName		Mandatory	See the SystemName definition in section <i>Storage Management Technical Specification, Part 3 Common Profiles, 1.6.1 Rev 6 50.6.25</i> CIM_IndicationFilter (StaticIndicationFilter).
Name		Mandatory	This shall be 'SNIA:Switch:ComputerSystemOperationalStatusWQL'.
SourceNamespace	N	Optional	Deprecated. See the SourceNamespace definition in section <i>Storage Management Technical Specification, Part 3 Common Profiles, 1.6.1 Rev 6 50.6.28</i> CIM_IndicationFilter (pre-defined).
SourceNamespaces	N	Mandatory	Experimental. See the SourceNamespaces definition in section <i>Storage Management Technical Specification, Part 3 Common Profiles, 1.6.1 Rev 6 50.6.25</i> CIM_IndicationFilter (StaticIndicationFilter).
Query		Mandatory	SELECT * FROM CIM_InstModification WHERE SourceInstance ISA CIM_ComputerSystem AND SourceInstance.OperationalStatus <> PreviousInstance.OperationalStatus.
QueryLanguage		Mandatory	This shall be 'WQL' or 'SMI-S V1.0'.
ElementName	N	Optional	See the ElementName definition in section <i>Storage Management Technical Specification, Part 3 Common Profiles, 1.6.1 Rev 6 50.6.28</i> CIM_IndicationFilter (pre-defined).

12.8.29 CIM_IndicationFilter (WQL Switch FCPort OperationalStatus)

Deprecated. This is the WQL 'pre-defined' CIM_IndicationFilter instance for OperationalStatus changes of a switch FCPort instance. This would represent the OperationalStatus changes of a switch FCPort. This is a special case of the CIM_IndicationFilter (pre-defined) class as defined in the Indication Profile.

Created By: Static

Modified By: Static

Deleted By: Static

Requirement: Required if the Experimental Indication Profile is supported and the SNIA_IndicationConfigurationCapabilities.SupportedFeatures='3' (Predefined Filters).

Table 168 describes class CIM_IndicationFilter (WQL Switch FCPort OperationalStatus).

Table 168 - SMI Referenced Properties/Methods for CIM_IndicationFilter (WQL Switch FCPort Operational-Status)

Properties	Flags	Requirement	Description & Notes
SystemCreationClassName		Mandatory	See the SystemCreationClassName definition in section <i>Storage Management Technical Specification, Part 3 Common Profiles, 1.6.1 Rev 6 50.6.25 CIM_IndicationFilter (StaticIndicationFilter)</i> .
CreationClassName		Mandatory	See the CreationClassName definition in section <i>Storage Management Technical Specification, Part 3 Common Profiles, 1.6.1 Rev 6 50.6.25 CIM_IndicationFilter (StaticIndicationFilter)</i> .
SystemName		Mandatory	See the SystemName definition in section <i>Storage Management Technical Specification, Part 3 Common Profiles, 1.6.1 Rev 6 50.6.25 CIM_IndicationFilter (StaticIndicationFilter)</i> .
Name		Mandatory	This shall be 'SNIA:Switch:FCPortOperationalStatusWQL'.
SourceNamespace	N	Optional	Deprecated. See the SourceNamespace definition in section <i>Storage Management Technical Specification, Part 3 Common Profiles, 1.6.1 Rev 6 50.6.28 CIM_IndicationFilter (pre-defined)</i> .
SourceNamespaces	N	Mandatory	Experimental. See the SourceNamespaces definition in section <i>Storage Management Technical Specification, Part 3 Common Profiles, 1.6.1 Rev 6 50.6.25 CIM_IndicationFilter (StaticIndicationFilter)</i> .
Query		Mandatory	SELECT * FROM CIM_InstModification WHERE SourceInstance ISA CIM_FCPort AND SourceInstance.OperationalStatus <> PreviousInstance.OperationalStatus.
QueryLanguage		Mandatory	This shall be 'WQL' or 'SMI-S V1.0'.
ElementName	N	Optional	See the ElementName definition in section <i>Storage Management Technical Specification, Part 3 Common Profiles, 1.6.1 Rev 6 50.6.28 CIM_IndicationFilter (pre-defined)</i> .

12.8.30 CIM_MemberOfCollection (FCPort to RedundancySet)

Created By: Static

Modified By: Static

Deleted By: Static

Requirement: Optional

Table 169 describes class CIM_MemberOfCollection (FCPort to RedundancySet).

Table 169 - SMI Referenced Properties/Methods for CIM_MemberOfCollection (FCPort to RedundancySet)

Properties	Flags	Requirement	Description & Notes
Member		Mandatory	The reference to the switch FCPort.
Collection		Mandatory	The reference to the RedundancySet.

12.8.31 CIM_MemberOfCollection (NetworkPortStatistics to StatisticalCollection)

Created By: Static

Modified By: Static

Deleted By: Static

Requirement: Mandatory

Table 170 describes class CIM_MemberOfCollection (NetworkPortStatistics to StatisticalCollection).

Table 170 - SMI Referenced Properties/Methods for CIM_MemberOfCollection (NetworkPortStatistics to StatisticalCollection)

Properties	Flags	Requirement	Description & Notes
Member		Mandatory	The reference to the FCPortStatistics.
Collection		Mandatory	The reference to the StatisticsCollection.

12.8.32 CIM_MemberOfCollection (Predefined Filter Collection to Switch Filters)

Experimental. This associates the switch predefined FilterCollection to the predefined Filters supported by the switch.

Requirement: Required if the Experimental Indication Profile is supported and the SNIA_IndicationConfigurationCapabilities.SupportedFeatures='5' (Predefined Filter Collections).

Table 171 describes class CIM_MemberOfCollection (Predefined Filter Collection to Switch Filters).

Table 171 - SMI Referenced Properties/Methods for CIM_MemberOfCollection (Predefined Filter Collection to Switch Filters)

Properties	Flags	Requirement	Description & Notes
Collection		Mandatory	Reference to the switch predefined FilterCollection.
Member		Mandatory	Reference to the predefined IndicationFilters of the switch.

12.8.33 CIM_MemberOfCollection (Switch ProfileSpecificLifecycleIndicationFilterCollection to Switch Filters)

Experimental. This associates the Switch ProfileSpecificLifecycleIndicationFilterCollection to the Filters defined by the Switch Profile.

Requirement: Optional

Table 172 describes class CIM_MemberOfCollection (Switch ProfileSpecificLifecycleIndicationFilterCollection to Switch Filters).

Table 172 - SMI Referenced Properties/Methods for CIM_MemberOfCollection (Switch ProfileSpecificLifecycleIndicationFilterCollection to Switch Filters)

Properties	Flags	Requirement	Description & Notes
Collection		Mandatory	Reference to the Switch ProfileSpecificLifecycleIndicationFilterCollection.
Member		Mandatory	Reference to the IndicationFilters defined by the Switch Profile.

12.8.34 CIM_ProtocolEndpoint

The endpoint of a link (ActiveConnection). ProtocolEndpoint shall be implemented when BroadcastReset() is supported (Force LIP). It is expected that the Fabric Profile is also implemented which defines the necessary information for determining who will receive the Force LIP on the loop.

Created By: Static

Modified By: Static

Deleted By: Static

Requirement: Optional

Table 173 describes class CIM_ProtocolEndpoint.

Table 173 - SMI Referenced Properties/Methods for CIM_ProtocolEndpoint

Properties	Flags	Requirement	Description & Notes
SystemCreationClassName		Mandatory	The scoping System's CreationClassName.
SystemName		Mandatory	The scoping System's Name.
CreationClassName		Mandatory	Name of Class.
Name	CD	Mandatory	The Fibre Channel Port WWN.
NameFormat		Mandatory	'WWN'.
ProtocolIFType		Mandatory	Shall be 56 (Fibre Channel).
BroadcastResetSupported		Mandatory	
BroadcastReset()		Optional	Sends a Force LIP to all attached Ports. Required if BroadcastResetSupported is TRUE.

12.8.35 CIM_RedundancySet

Created By: Static

Modified By: Static

Deleted By: Static

Requirement: Optional

Table 174 describes class CIM_RedundancySet.

Table 174 - SMI Referenced Properties/Methods for CIM_RedundancySet

Properties	Flags	Requirement	Description & Notes
InstanceID		Mandatory	Opaque.
TypeOfSet		Mandatory	

12.8.36 CIM_StatisticsCollection

Created By: Static

Modified By: Static

Deleted By: Static

Requirement: Mandatory

Table 175 describes class CIM_StatisticsCollection.

Table 175 - SMI Referenced Properties/Methods for CIM_StatisticsCollection

Properties	Flags	Requirement	Description & Notes
InstanceID		Mandatory	Opaque.
ElementName		Mandatory	
SampleInterval		Mandatory	
TimeLastSampled		Mandatory	

12.8.37 CIM_SystemDevice

Created By: Static

Modified By: Static

Deleted By: Static

Requirement: Mandatory

Table 176 describes class CIM_SystemDevice.

Table 176 - SMI Referenced Properties/Methods for CIM_SystemDevice

Properties	Flags	Requirement	Description & Notes
PartComponent		Mandatory	The reference to the switch FCPort.
GroupComponent		Mandatory	The reference to the switch System.

STABLE

Switch Profile

EXPERIMENTAL

13 Switch Configuration Data Subprofile

13.1 Description

This subprofile describes the ability to retrieve a configuration from a switch and latter apply that configuration back on the switch (similar to an image backup and restoration of a computer system).

The profile only has three classes providing all the functionality. When a client needs to obtain a snapshot of the switch configuration, he enumerates ConfigurationData which will return the current configuration with the timestamp set appropriately.

When the client wants to apply a configuration, the client creates an instance of ConfigurationData and calls the method ApplyConfiguration() on the instance containing the property ConfigurationInformation which is to be applied to the switch. Figure 24 shows a Switch Configuration Data instance.

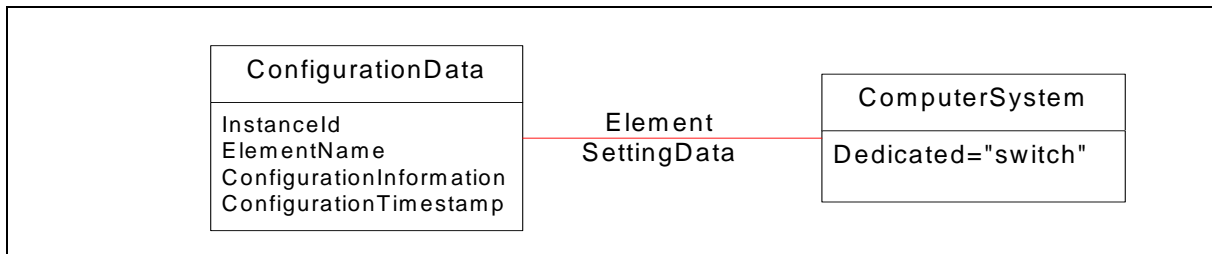


Figure 24 - Switch Configuration Data Instance

13.2 Durable Names and Correlatable IDs of the Profile

None in this version of the specification.

13.3 Instrumentation Requirements

None in this version of the specification.

13.4 Health and Fault Management

None

13.5 Cascading Considerations

None

13.6 Methods of this Profile

13.6.1 ApplyConfiguration

This method applies the configuration data to the switch. The data in the instance's ConfigurationInformation property is used as the configuration to apply. Note that it is not necessary for the element to be associated with the ConfigurationData instance at the time that this method is called.

```

uint32 ApplyConfiguration (
    boolean ValidateOnly,
    uint16 TypeOfConfiguration
    CIM_ManagedElement REF ManagedElement);
  
```

13.7 Client Considerations and Recipes

13.7.1 Get Switch Configuration

```
// DESCRIPTION
//
// This recipe describes how to retrieve Switch configuration data.
//
// PRE-EXISTING CONDITIONS AND ASSUMPTIONS
// 1. A reference to the Switch whose configuration data to retrieve is known
// and defined in the variable $Switch->.

// MAIN
// Step 1. Retrieve the configuration of the Switch.
$ConfigData[] = Associators($Switch->,
    "CIM_ElementSettingData",
    "CIM_ConfigurationData",
    "ManagedElement",
    "SettingData",
    false,
    false,
    {"ConfigurationInformation", "ConfigurationTimestamp"})
if ($ConfigData[] == null || $ConfigData[].length != 1) {
    <ERROR! The required Switch configuration data is not available>
}
$SwitchConfig = $ConfigData[0]
```

13.7.2 Set Switch Configuration

```
// DESCRIPTION
//
// Set Switch Configuration
//
// PREEXISTING CONDITIONS AND ASSUMPTIONS
//
// None

Placeholder File
```

13.8 Registered Name and Version

Switch Configuration Data version 1.1.0 (Component Profile)

13.9 CIM Elements

Table 177 describes the CIM elements for Switch Configuration Data.

Table 177 - CIM Elements for Switch Configuration Data

Element Name	Requirement	Description
13.9.1 CIM_ComputerSystem	Mandatory	Represents the Switch.
13.9.2 CIM_ConfigurationData	Mandatory	Switch Configuration Data.
13.9.3 CIM_ElementSettingData	Mandatory	Associates ConfigurationData to the switch.

13.9.1 CIM_ComputerSystem

Created By: Static

Modified By: Static

Deleted By: Static

Requirement: Mandatory

Table 178 describes class CIM_ComputerSystem.

Table 178 - SMI Referenced Properties/Methods for CIM_ComputerSystem

Properties	Flags	Requirement	Description & Notes
CreationClassName		Mandatory	The class name.
Name		Mandatory	Switch Name (WWN).
NameFormat		Mandatory	"WWN".
Dedicated		Mandatory	"Switch".

13.9.2 CIM_ConfigurationData

Created By: Static

Modified By: Static

Deleted By: Static

Requirement: Mandatory

Table 179 describes class CIM_ConfigurationData.

Table 179 - SMI Referenced Properties/Methods for CIM_ConfigurationData

Properties	Flags	Requirement	Description & Notes
InstanceID		Mandatory	Opaque.
ElementName		Mandatory	User friendly for configuration file.
ConfigurationInformation		Mandatory	The configuration data of the switch.

Table 179 - SMI Referenced Properties/Methods for CIM_ConfigurationData

Properties	Flags	Requirement	Description & Notes
ConfigurationTimestamp		Mandatory	Time the configuration data was obtained.
ApplyConfiguration()		Mandatory	Method that processes the configuration in the same instance and applies it to the switch.

13.9.3 CIM_ElementSettingData

Created By: Static

Modified By: Static

Deleted By: Static

Requirement: Mandatory

Table 180 describes class CIM_ElementSettingData.

Table 180 - SMI Referenced Properties/Methods for CIM_ElementSettingData

Properties	Flags	Requirement	Description & Notes
SettingData		Mandatory	
ManagedElement		Mandatory	

EXPERIMENTAL

STABLE
14 Blades Subprofile**14.1 Description**

This subprofile describes how blades in a director class switch can be discovered and managed.

14.1.1 Instance Diagram

Figure 25 shows a Switch Blade instance.

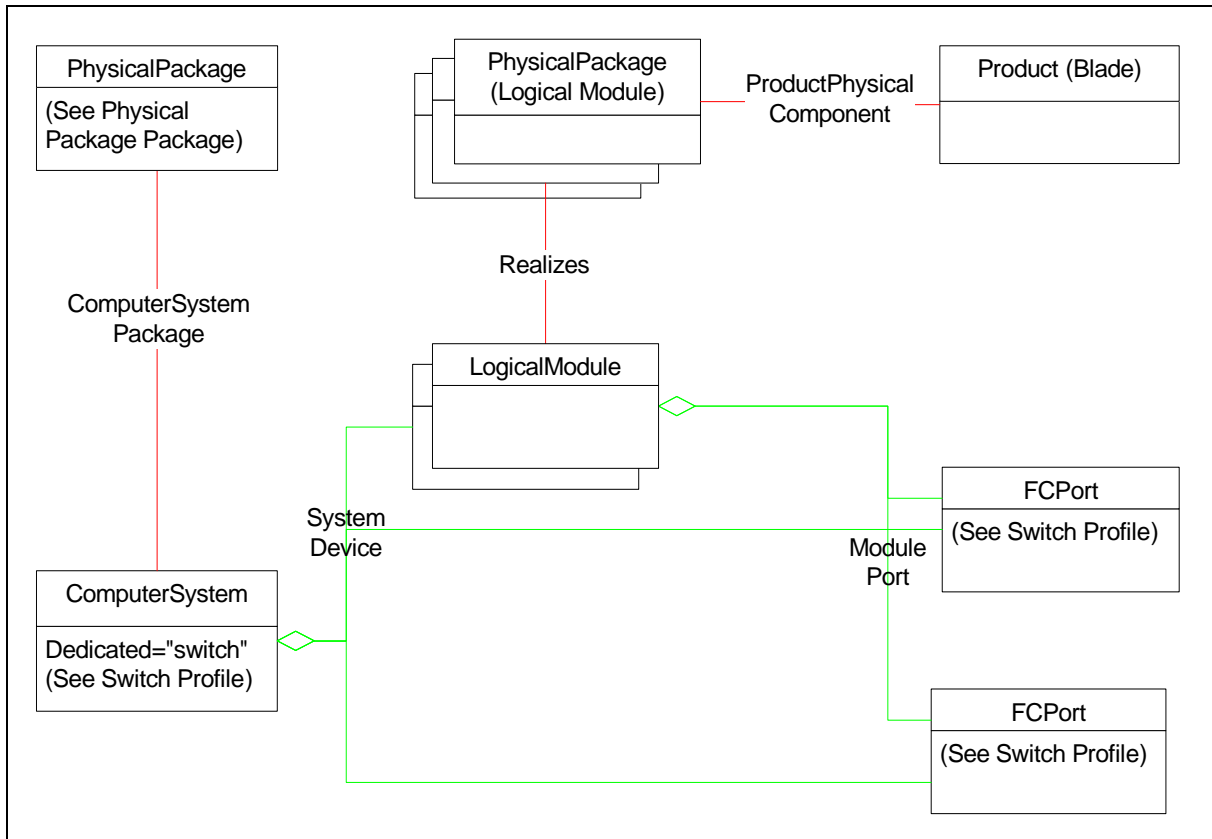


Figure 25 - Switch Blade Instance

EXPERIMENTAL
14.1.2 Blades Predefined Indications

If the Indications profile is supported by an implementation, there shall be an implementation of the `SNIA_IndicationConfigurationService` and its associated `SNIA_IndicationConfigurationCapabilities` associated to the Switch `ComputerSystem` associated with the Blades profile. If the implementation supports predefined `IndicationFilters` or predefined `IndicationFilterCollections` this shall be indicated in the `SupportedFeatures` property of the `SNIA_IndicationConfigurationCapabilities`. If a value “3” is present, it means the implementation supports predefined `IndicationFilters`. If a value of “5” is present, it means the implementation supports predefined `IndicationFilterCollections`.

Figure 26 illustrates classes that shall be populated by the Blades profile if both “3” and “5” are present in the `SupportedFeatures` property.

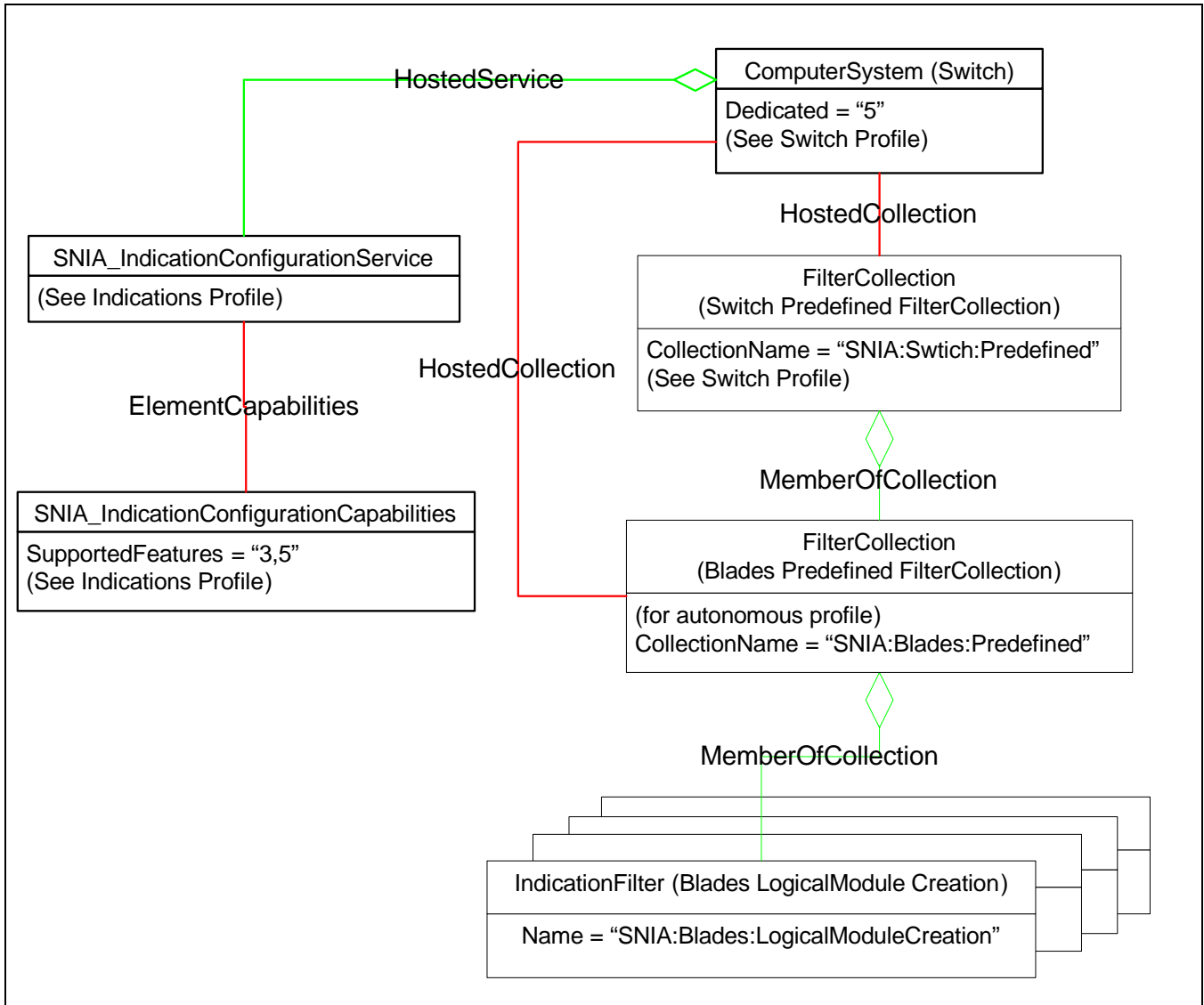


Figure 26 - Predefined Blades IndicationFilters and Collection

The SNIA_IndicationConfigurationService is hosted on the switch ComputerSystem for the Switch Profile associated to the Blades component profile. The FilterCollection for blades is also hosted on the same switch ComputerSystem. The blades FilterCollection is a member (MemberOfCollection) in the switch FilterCollection. The blades FilterCollection has members which are all the predefined IndicationFilters supported by the implementation. This shall include all Mandatory IndicationFilters of the Blades Profile. But it should also include any IndicationFilter that has been predefined by the implementation. This may include conditional, optional or vendor specific IndicationFilters supported by the implementation.

The blades FilterCollection shall have the CollectionName "SNIA:Blades:Predefined". Each of the predefined filters shall have the Name property as defined for the IndicationFilter. In Figure 26 the name of the IndicationFilter (Blades LogicalModule Creation) is "SNIA:Blades:LogicalModuleCreation". For vendor specific IndicationFilters (not defined in this standard), the Name of the filter would be of the form

ORG_ID":Blades:"UNIQUE_ID, where ORGID is the designation of the vendor that is providing the implementation.

EXPERIMENTAL

14.2 Health and Fault Management

None

14.3 Cascading Considerations

None

14.4 Dependencies on Profiles, Subprofiles, and Packages

Related Profiles for Blades: Not defined in this standard.

14.5 Methods of this Profile

None

14.6 Client Considerations and Recipes

None

14.7 Registered Name and Version

Blades version 1.6.0 (Component Profile)

CIM Schema Version: 2.25

14.8 CIM Elements

Table 181 describes the CIM elements for Blades.

Table 181 - CIM Elements for Blades

Element Name	Requirement	Description
14.8.1 CIM_FilterCollection (Blades Predefined FilterCollection)	Conditional	Experimental. Conditional requirement: Required if the Experimental Indication Profile is supported and the SNIA_IndicationConfigurationCapabilities.SupportedFeatures='5' (Predefined Filter Collections). This is a collection of predefined IndicationFilters to which a client may subscribe.
14.8.2 CIM_FilterCollection (Blades ProfileSpecificLifecycleIndicationFilterCollection)	Optional	Experimental. This is a collection of Lifecycle IndicationFilters defined by the Blades Profile.
14.8.3 CIM_HostedCollection (Switch to Blades predefined FilterCollection)	Conditional	Experimental. Conditional requirement: Required if the Experimental Indication Profile is supported and the SNIA_IndicationConfigurationCapabilities.SupportedFeatures='5' (Predefined Filter Collections).
14.8.4 CIM_HostedCollection (System to Blades ProfileSpecificLifecycleIndicationFilterCollection)	Optional	Experimental.

Table 181 - CIM Elements for Blades

Element Name	Requirement	Description
14.8.5 CIM_IndicationFilter (Blades LogicalModule Creation)	Optional	Experimental. This is the 'pre-defined' CIM_IndicationFilter instance for the addition of a new blade LogicalModule instance.
14.8.6 CIM_IndicationFilter (Blades LogicalModule Deletion)	Optional	Experimental. This is the 'pre-defined' CIM_IndicationFilter instance for the removal of a blade LogicalModule instance.
14.8.7 CIM_IndicationFilter (Blades LogicalModule OperationalStatus)	Optional	Experimental. This is the 'pre-defined' CIM_IndicationFilter instance for the modification of OperationalStatus of a blade LogicalModule instance.
14.8.8 CIM_IndicationFilter (WQL Blades LogicalModule OperationalStatus)	Optional	Deprecated. This is the WQL 'pre-defined' CIM_IndicationFilter instance for OperationalStatus changes of a blade LogicalModule instance.
14.8.9 CIM_LogicalModule	Mandatory	The Blade.
14.8.10 CIM_MemberOfCollection (Blades FilterCollection to Switch FilterCollection)	Conditional	Experimental. Conditional requirement: Required if the Experimental Indication Profile is supported and the SNIA_IndicationConfigurationCapabilities.SupportedFeatures='5' (Predefined Filter Collections). This associates the Blades predefined FilterCollection to the Switch predefined FilterCollection.
14.8.11 CIM_MemberOfCollection (Blades ProfileSpecificLifecycleIndicationFilterCollection to Blades Filters)	Optional	Experimental. This associates the Blades ProfileSpecificLifecycleIndicationFilterCollection to the Filters defined by the Blades Profile.
14.8.12 CIM_MemberOfCollection (Predefined Filter Collection to Blades Filters)	Conditional	Experimental. Conditional requirement: Required if the Experimental Indication Profile is supported and the SNIA_IndicationConfigurationCapabilities.SupportedFeatures='5' (Predefined Filter Collections). This associates the Blades predefined FilterCollection to the predefined Filters supported by the Blade.
14.8.13 CIM_ModulePort	Mandatory	Associates the LogicalModule to the FCPort.
14.8.14 CIM_PhysicalPackage (Logical Module)	Mandatory	The physical package within which the LogicalModule is contained.
14.8.15 CIM_Product (Blade)	Optional	The product information for the Blade.
14.8.16 CIM_ProductPhysicalComponent	Optional	Associates the Product to the PhysicalPackage.
14.8.17 CIM_Realizes (Logical Module Package)	Optional	Associates the LogicalModule to its PhysicalPackage.
14.8.18 CIM_SystemDevice (Logical Module)	Mandatory	Associates the LogicalModule to the ComputerSystem representing the Switch.
SELECT * FROM CIM_InstCreation WHERE SourceInstance ISA CIM_LogicalModule	Optional	Creation of an Creation LogicalModule instance. See section <i>Storage Management Technical Specification, Part 6 Fabric, 1.6.1 Rev 6 14.8.5 CIM_IndicationFilter (Blades LogicalModule Creation)</i> .
SELECT * FROM CIM_InstDeletion WHERE SourceInstance ISA CIM_LogicalModule	Optional	Deletion of an LogicalModule instance. See section <i>Storage Management Technical Specification, Part 6 Fabric, 1.6.1 Rev 6 14.8.6 CIM_IndicationFilter (Blades LogicalModule Deletion)</i> .

Table 181 - CIM Elements for Blades

Element Name	Requirement	Description
SELECT * FROM CIM_InstModification WHERE SourceInstance ISA CIM_LogicalModule AND SourceInstance.OperationalStatus <> PreviousInstance.OperationalStatus	Optional	Deprecated. Deprecated WQL -Change in status of LogicalModule. See section <i>Storage Management Technical Specification, Part 6 Fabric, 1.6.1 Rev 6 14.8.8</i> CIM_IndicationFilter (WQL Blades LogicalModule OperationalStatus).
SELECT * FROM CIM_InstModification WHERE SourceInstance ISA CIM_LogicalModule AND SourceInstance.CIM_LogicalModule::OperationalStatus <> PreviousInstance.CIM_LogicalModule::OperationalStatus	Optional	CQL -Change in status of LogicalModule. See section <i>Storage Management Technical Specification, Part 6 Fabric, 1.6.1 Rev 6 14.8.7</i> CIM_IndicationFilter (Blades LogicalModule OperationalStatus).

14.8.1 CIM_FilterCollection (Blades Predefined FilterCollection)

Experimental. This is a collection of predefined IndicationFilters to which a client may subscribe. A blades implementation shall indicate support for predefined FilterCollections by the SNIA_IndicationConfigurationCapabilities.FeaturesSupported = '5' (Predefined Filter Collections).

Requirement: Required if the Experimental Indication Profile is supported and the SNIA_IndicationConfigurationCapabilities.SupportedFeatures='5' (Predefined Filter Collections).

Table 182 describes class CIM_FilterCollection (Blades Predefined FilterCollection).

Table 182 - SMI Referenced Properties/Methods for CIM_FilterCollection (Blades Predefined FilterCollection)

Properties	Flags	Requirement	Description & Notes
InstanceID		Mandatory	Shall specify the unique identifier for an instance of this class within the Implementation namespace.
CollectionName		Mandatory	The value of CollectionName shall be 'SNIA:Blades:Predefined'.

14.8.2 CIM_FilterCollection (Blades ProfileSpecificLifecycleIndicationFilterCollection)

Experimental. This is a collection of Lifecycle IndicationFilters defined by the Blades Profile.

Requirement: Optional

Table 183 describes class CIM_FilterCollection (Blades ProfileSpecificLifecycleIndicationFilterCollection).

Table 183 - SMI Referenced Properties/Methods for CIM_FilterCollection (Blades ProfileSpecificLifecycleIndicationFilterCollection)

Properties	Flags	Requirement	Description & Notes
InstanceID		Mandatory	See the InstanceID definition in section <i>Storage Management Technical Specification, Part 3 Common Profiles, 1.6.1 Rev 6 50.6.13</i> CIM_FilterCollection (StaticFilterCollection).
CollectionName		Mandatory	The value of CollectionName shall be 'SNIA:Blades:ProfileSpecificLifecycleIndicationFilterCollection'.

14.8.3 CIM_HostedCollection (Switch to Blades predefined FilterCollection)

Experimental.

Requirement: Required if the Experimental Indication Profile is supported and the SNIA_IndicationConfigurationCapabilities.SupportedFeatures='5' (Predefined Filter Collections).

Table 184 describes class CIM_HostedCollection (Switch to Blades predefined FilterCollection).

Table 184 - SMI Referenced Properties/Methods for CIM_HostedCollection (Switch to Blades predefined FilterCollection)

Properties	Flags	Requirement	Description & Notes
Dependent		Mandatory	Reference to the predefined FilterCollection for the Blade.
Antecedent		Mandatory	Reference to the Switch ComputerSystem.

14.8.4 CIM_HostedCollection (System to Blades ProfileSpecificLifecycleIndicationFilterCollection)

Experimental.

Requirement: Optional

Table 185 describes class CIM_HostedCollection (System to Blades ProfileSpecificLifecycleIndicationFilterCollection).

Table 185 - SMI Referenced Properties/Methods for CIM_HostedCollection (System to Blades Profile-SpecificLifecycleIndicationFilterCollection)

Properties	Flags	Requirement	Description & Notes
Dependent		Mandatory	Reference to the ProfileSpecificLifecycleIndicationFilterCollection for the Blades Profile.
Antecedent		Mandatory	Reference to the Switch ComputerSystem.

14.8.5 CIM_IndicationFilter (Blades LogicalModule Creation)

Experimental. This is the 'pre-defined' CIM_IndicationFilter instance for the addition of a new blade LogicalModule instance. This would represent the addition of a blade LogicalModule. This is a special case of the CIM_IndicationFilter (pre-defined) class as defined in the Indication Profile.

Created By: Static

Modified By: Static

Deleted By: Static

Requirement: Optional

Table 186 describes class CIM_IndicationFilter (Blades LogicalModule Creation).

Table 186 - SMI Referenced Properties/Methods for CIM_IndicationFilter (Blades LogicalModule Creation)

Properties	Flags	Requirement	Description & Notes
SystemCreationClassName		Mandatory	See the SystemCreationClassName definition in section <i>Storage Management Technical Specification, Part 3 Common Profiles, 1.6.1 Rev 6 50.6.25 CIM_IndicationFilter (StaticIndicationFilter)</i> .
CreationClassName		Mandatory	See the CreationClassName definition in section <i>Storage Management Technical Specification, Part 3 Common Profiles, 1.6.1 Rev 6 50.6.25 CIM_IndicationFilter (StaticIndicationFilter)</i> .

Table 186 - SMI Referenced Properties/Methods for CIM_IndicationFilter (Blades LogicalModule Creation)

Properties	Flags	Requirement	Description & Notes
SystemName		Mandatory	See the SystemName definition in section <i>Storage Management Technical Specification, Part 3 Common Profiles, 1.6.1 Rev 6 50.6.25 CIM_IndicationFilter (StaticIndicationFilter)</i> .
Name		Mandatory	This shall be 'SNIA:Blades:LogicalModuleCreation'.
SourceNamespace	N	Optional	Deprecated. See the SourceNamespace definition in section <i>Storage Management Technical Specification, Part 3 Common Profiles, 1.6.1 Rev 6 50.6.28 CIM_IndicationFilter (pre-defined)</i> .
SourceNamespaces	N	Mandatory	Experimental. See the SourceNamespaces definition in section <i>Storage Management Technical Specification, Part 3 Common Profiles, 1.6.1 Rev 6 50.6.25 CIM_IndicationFilter (StaticIndicationFilter)</i> .
Query		Mandatory	SELECT * FROM CIM_InstCreation WHERE SourceInstance ISA CIM_LogicalModule.
QueryLanguage		Mandatory	This should be 'DMTF:CQL' for CQL queries, but may be 'WQL' or 'SMI-S V1.0'. WQL and SMI-S V1.0 are deprecated in favor of 'DMTF:CQL'.
ElementName	N	Optional	See the ElementName definition in section <i>Storage Management Technical Specification, Part 3 Common Profiles, 1.6.1 Rev 6 50.6.28 CIM_IndicationFilter (pre-defined)</i> .

14.8.6 CIM_IndicationFilter (Blades LogicalModule Deletion)

Experimental. This is the 'pre-defined' CIM_IndicationFilter instance for the removal of a blade LogicalModule instance. This would represent the removal of a blade LogicalModule. This is a special case of the CIM_IndicationFilter (pre-defined) class as defined in the Indication Profile.

Created By: Static

Modified By: Static

Deleted By: Static

Requirement: Optional

Table 187 describes class CIM_IndicationFilter (Blades LogicalModule Deletion).

Table 187 - SMI Referenced Properties/Methods for CIM_IndicationFilter (Blades LogicalModule Deletion)

Properties	Flags	Requirement	Description & Notes
SystemCreationClassName		Mandatory	See the SystemCreationClassName definition in section <i>Storage Management Technical Specification, Part 3 Common Profiles, 1.6.1 Rev 6 50.6.25 CIM_IndicationFilter (StaticIndicationFilter)</i> .
CreationClassName		Mandatory	See the CreationClassName definition in section <i>Storage Management Technical Specification, Part 3 Common Profiles, 1.6.1 Rev 6 50.6.25 CIM_IndicationFilter (StaticIndicationFilter)</i> .
SystemName		Mandatory	See the SystemName definition in section <i>Storage Management Technical Specification, Part 3 Common Profiles, 1.6.1 Rev 6 50.6.25 CIM_IndicationFilter (StaticIndicationFilter)</i> .
Name		Mandatory	This shall be 'SNIA:Blades:LogicalModuleDeletion'.
SourceNamespace	N	Optional	Deprecated. See the SourceNamespace definition in section <i>Storage Management Technical Specification, Part 3 Common Profiles, 1.6.1 Rev 6 50.6.28 CIM_IndicationFilter (pre-defined)</i> .

Table 187 - SMI Referenced Properties/Methods for CIM_IndicationFilter (Blades LogicalModule Deletion)

Properties	Flags	Requirement	Description & Notes
SourceNamespaces	N	Mandatory	Experimental. See the SourceNamespaces definition in section <i>Storage Management Technical Specification, Part 3 Common Profiles, 1.6.1 Rev 6 50.6.25 CIM_IndicationFilter (StaticIndicationFilter)</i> .
Query		Mandatory	SELECT * FROM CIM_InstDeletion WHERE SourceInstance ISA CIM_LogicalModule.
QueryLanguage		Mandatory	This should be 'DMTF:CQL' for CQL queries, but may be 'WQL' or 'SMI-S V1.0'. WQL and SMI-S V1.0 are deprecated in favor of 'DMTF:CQL'.
ElementName	N	Optional	See the ElementName definition in section <i>Storage Management Technical Specification, Part 3 Common Profiles, 1.6.1 Rev 6 50.6.28 CIM_IndicationFilter (pre-defined)</i> .

14.8.7 CIM_IndicationFilter (Blades LogicalModule OperationalStatus)

Experimental. This is the 'pre-defined' CIM_IndicationFilter instance for the change of OperationalStatus of a blade LogicalModule instance. This would represent the status change to a blade LogicalModule. This is a special case of the CIM_IndicationFilter (pre-defined) class as defined in the Indication Profile.

Created By: Static

Modified By: Static

Deleted By: Static

Requirement: Optional

Table 188 describes class CIM_IndicationFilter (Blades LogicalModule OperationalStatus).

Table 188 - SMI Referenced Properties/Methods for CIM_IndicationFilter (Blades LogicalModule OperationalStatus)

Properties	Flags	Requirement	Description & Notes
SystemCreationClassName		Mandatory	See the SystemCreationClassName definition in section <i>Storage Management Technical Specification, Part 3 Common Profiles, 1.6.1 Rev 6 50.6.25 CIM_IndicationFilter (StaticIndicationFilter)</i> .
CreationClassName		Mandatory	See the CreationClassName definition in section <i>Storage Management Technical Specification, Part 3 Common Profiles, 1.6.1 Rev 6 50.6.25 CIM_IndicationFilter (StaticIndicationFilter)</i> .
SystemName		Mandatory	See the SystemName definition in section <i>Storage Management Technical Specification, Part 3 Common Profiles, 1.6.1 Rev 6 50.6.25 CIM_IndicationFilter (StaticIndicationFilter)</i> .
Name		Mandatory	This shall be 'SNIA:Blades:LogicalModuleOperationalStatus'.
SourceNamespace	N	Optional	Deprecated. See the SourceNamespace definition in section <i>Storage Management Technical Specification, Part 3 Common Profiles, 1.6.1 Rev 6 50.6.28 CIM_IndicationFilter (pre-defined)</i> .
SourceNamespaces	N	Mandatory	Experimental. See the SourceNamespaces definition in section <i>Storage Management Technical Specification, Part 3 Common Profiles, 1.6.1 Rev 6 50.6.25 CIM_IndicationFilter (StaticIndicationFilter)</i> .

Table 188 - SMI Referenced Properties/Methods for CIM_IndicationFilter (Blades LogicalModule OperationalStatus)

Properties	Flags	Requirement	Description & Notes
Query		Mandatory	SELECT * FROM CIM_InstModification WHERE SourceInstance ISA CIM_LogicalModule AND SourceInstance.CIM_LogicalModule::OperationalStatus <> PreviousInstance.CIM_LogicalModule::OperationalStatus.
QueryLanguage		Mandatory	This shall be 'DMTF:CQL' for CQL queries.
ElementName	N	Optional	See the ElementName definition in section <i>Storage Management Technical Specification, Part 3 Common Profiles, 1.6.1 Rev 6 50.6.28</i> CIM_IndicationFilter (pre-defined).

14.8.8 CIM_IndicationFilter (WQL Blades LogicalModule OperationalStatus)

Deprecated. This is the WQL 'pre-defined' CIM_IndicationFilter instance for OperationalStatus changes of a blade LogicalModule instance. This would represent the OperationalStatus changes of a blade LogicalModule. This is a special case of the CIM_IndicationFilter (pre-defined) class as defined in the Indication Profile.

Created By: Static

Modified By: Static

Deleted By: Static

Requirement: Optional

Table 189 describes class CIM_IndicationFilter (WQL Blades LogicalModule OperationalStatus).

Table 189 - SMI Referenced Properties/Methods for CIM_IndicationFilter (WQL Blades LogicalModule OperationalStatus)

Properties	Flags	Requirement	Description & Notes
SystemCreationClassName		Mandatory	See the SystemCreationClassName definition in section <i>Storage Management Technical Specification, Part 3 Common Profiles, 1.6.1 Rev 6 50.6.25</i> CIM_IndicationFilter (StaticIndicationFilter).
CreationClassName		Mandatory	See the CreationClassName definition in section <i>Storage Management Technical Specification, Part 3 Common Profiles, 1.6.1 Rev 6 50.6.25</i> CIM_IndicationFilter (StaticIndicationFilter).
SystemName		Mandatory	See the SystemName definition in section <i>Storage Management Technical Specification, Part 3 Common Profiles, 1.6.1 Rev 6 50.6.25</i> CIM_IndicationFilter (StaticIndicationFilter).
Name		Mandatory	This shall be 'SNIA:Blades:LogicalModuleOperationalStatusWQL'.
SourceNamespace	N	Optional	Deprecated. See the SourceNamespace definition in section <i>Storage Management Technical Specification, Part 3 Common Profiles, 1.6.1 Rev 6 50.6.28</i> CIM_IndicationFilter (pre-defined).
SourceNamespaces	N	Mandatory	Experimental. See the SourceNamespaces definition in section <i>Storage Management Technical Specification, Part 3 Common Profiles, 1.6.1 Rev 6 50.6.25</i> CIM_IndicationFilter (StaticIndicationFilter).

Table 189 - SMI Referenced Properties/Methods for CIM_IndicationFilter (WQL Blades LogicalModule OperationalStatus)

Properties	Flags	Requirement	Description & Notes
Query		Mandatory	SELECT * FROM CIM_InstModification WHERE SourceInstance ISA CIM_LogicalModule AND SourceInstance.OperationalStatus <> PreviousInstance.OperationalStatus.
QueryLanguage		Mandatory	This shall be 'WQL' or 'SMI-S V1.0'.
ElementName	N	Optional	See the ElementName definition in section <i>Storage Management Technical Specification, Part 3 Common Profiles, 1.6.1 Rev 6 50.6.28 CIM_IndicationFilter</i> (pre-defined).

14.8.9 CIM_LogicalModule

Created By: Static

Modified By: Static

Deleted By: Static

Requirement: Mandatory

Table 190 describes class CIM_LogicalModule.

Table 190 - SMI Referenced Properties/Methods for CIM_LogicalModule

Properties	Flags	Requirement	Description & Notes
SystemCreationClassName		Mandatory	
SystemName		Mandatory	
CreationClassName		Mandatory	
DeviceID		Mandatory	Opaque.
ElementName		Mandatory	
OperationalStatus		Mandatory	
ModuleNumber		Mandatory	

14.8.10 CIM_MemberOfCollection (Blades FilterCollection to Switch FilterCollection)

Experimental. This associates the Blades predefined FilterCollection to the Switch predefined FilterCollection.

Requirement: Required if the Experimental Indication Profile is supported and the SNIA_IndicationConfigurationCapabilities.SupportedFeatures='5' (Predefined Filter Collections).

Table 191 describes class CIM_MemberOfCollection (Blades FilterCollection to Switch FilterCollection).

Table 191 - SMI Referenced Properties/Methods for CIM_MemberOfCollection (Blades FilterCollection to Switch FilterCollection)

Properties	Flags	Requirement	Description & Notes
Collection		Mandatory	Reference to the Switch predefined FilterCollection.
Member		Mandatory	Reference to the Blades predefined FilterCollection.

14.8.11 CIM_MemberOfCollection (Blades ProfileSpecificLifecycleIndicationFilterCollection to Blades Filters)

Experimental. This associates the Blades ProfileSpecificLifecycleIndicationFilterCollection to the Filters defined by the Blades Profile.

Requirement: Optional

Table 192 describes class CIM_MemberOfCollection (Blades ProfileSpecificLifecycleIndicationFilterCollection to Blades Filters).

Table 192 - SMI Referenced Properties/Methods for CIM_MemberOfCollection (Blades ProfileSpecificLifecycleIndicationFilterCollection to Blades Filters)

Properties	Flags	Requirement	Description & Notes
Collection		Mandatory	Reference to the Blades ProfileSpecificLifecycleIndicationFilterCollection.
Member		Mandatory	Reference to the IndicationFilters defined by the Blades Profile.

14.8.12 CIM_MemberOfCollection (Predefined Filter Collection to Blades Filters)

Experimental. This associates the Blades predefined FilterCollection to the predefined Filters supported by the blade.

Requirement: Required if the Experimental Indication Profile is supported and the SNIA_IndicationConfigurationCapabilities.SupportedFeatures='5' (Predefined Filter Collections).

Table 193 describes class CIM_MemberOfCollection (Predefined Filter Collection to Blades Filters).

Table 193 - SMI Referenced Properties/Methods for CIM_MemberOfCollection (Predefined Filter Collection to Blades Filters)

Properties	Flags	Requirement	Description & Notes
Collection		Mandatory	Reference to the Blades predefined FilterCollection.
Member		Mandatory	Reference to the predefined IndicationFilters of the blade.

14.8.13 CIM_ModulePort

Created By: Static

Modified By: Static

Deleted By: Static

Requirement: Mandatory

Table 194 describes class CIM_ModulePort.

Table 194 - SMI Referenced Properties/Methods for CIM_ModulePort

Properties	Flags	Requirement	Description & Notes
PartComponent		Mandatory	A reference to a switch FCPort.
GroupComponent		Mandatory	A reference to a LogicalModule.

14.8.14 CIM_PhysicalPackage (Logical Module)

Created By: Static

Modified By: Static

Deleted By: Static

Requirement: Mandatory

Table 195 describes class CIM_PhysicalPackage (Logical Module).

Table 195 - SMI Referenced Properties/Methods for CIM_PhysicalPackage (Logical Module)

Properties	Flags	Requirement	Description & Notes
CreationClassName		Mandatory	
Tag		Mandatory	
ElementName		Optional	
Name		Optional	
Manufacturer		Mandatory	
Model		Mandatory	
SerialNumber		Optional	
Version		Optional	
PartNumber		Optional	

14.8.15 CIM_Product (Blade)

Created By: Static

Modified By: Static

Deleted By: Static

Requirement: Optional

Table 196 describes class CIM_Product (Blade).

Table 196 - SMI Referenced Properties/Methods for CIM_Product (Blade)

Properties	Flags	Requirement	Description & Notes
Name		Mandatory	Commonly used Product name.
IdentifyingNumber		Mandatory	Product identification such as a serial number.

Table 196 - SMI Referenced Properties/Methods for CIM_Product (Blade)

Properties	Flags	Requirement	Description & Notes
Vendor		Mandatory	The manufacturer or the OEM.
Version		Mandatory	Product version information.
ElementName		Mandatory	User Friendly name. Suggested use is Vendor, Version and product name.

14.8.16 CIM_ProductPhysicalComponent

Associates the Product to the PhysicalPackage. This is necessary to link the Product information to the Blade.

Created By: Static

Modified By: Static

Deleted By: Static

Requirement: Optional

Table 197 describes class CIM_ProductPhysicalComponent.

Table 197 - SMI Referenced Properties/Methods for CIM_ProductPhysicalComponent

Properties	Flags	Requirement	Description & Notes
GroupComponent		Mandatory	
PartComponent		Mandatory	

14.8.17 CIM_Realizes (Logical Module Package)

Created By: Static

Modified By: Static

Deleted By: Static

Requirement: Optional

Table 198 describes class CIM_Realizes (Logical Module Package).

Table 198 - SMI Referenced Properties/Methods for CIM_Realizes (Logical Module Package)

Properties	Flags	Requirement	Description & Notes
Antecedent		Mandatory	The reference to the PhysicalPackage.
Dependent		Mandatory	The reference to the LogicalModule representing the Blade.

14.8.18 CIM_SystemDevice (Logical Module)

Created By: Static

Modified By: Static

Deleted By: Static

Requirement: Mandatory

Table 199 describes class CIM_SystemDevice (Logical Module).

Table 199 - SMI Referenced Properties/Methods for CIM_SystemDevice (Logical Module)

Properties	Flags	Requirement	Description & Notes
GroupComponent		Mandatory	A reference to a Switch ComputerSystem.
PartComponent		Mandatory	A reference to a LogicalModule.

STABLE

EXPERIMENTAL
15 Switch Partitioning Subprofile
15.1 Description

The Switch Partitioning Subprofile is used when a “switch” actually is implementing multiple instances of a profile. The instances of the profile can be the same profiles, for example the Switch Profile, or different profiles, for example the Switch Profile and the Extender Profile. For the context of further discussion, the “switch” representing the entire set of systems will be called the Partitioning System and the systems that it is “hosting” are the Partitioned System. For virtual fabrics, ANSI T11 calls the partitioning system the “Core Switch” and the partitioned system the “Virtual Switch”. In other literature, a Partitioning System may be referred to as a Physical System or Physical Switch and a Partitioned Switch may be called a Logical Switch. In Figure 27, an example is shown with a Partitioning System hosting a Partitioned System running the Extender Profile and the Switch Profile. The nomenclature in this profile uses blue to identify the partitioning entity.

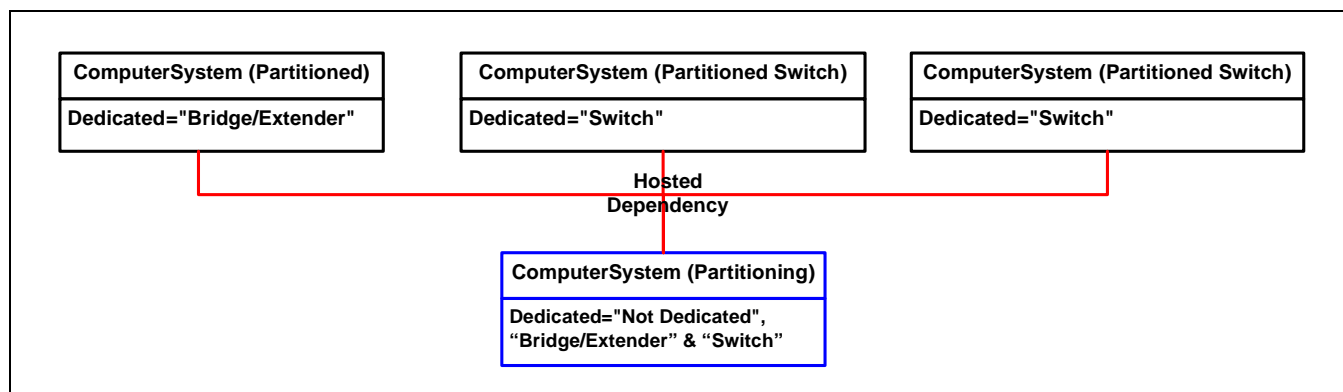


Figure 27 - Switch ComputerSystem and Partitioning System

The relationship between the Partitioning System and its partitions is indicated with the HostedDependency association. The Partitioning System can be determined by locating the ComputerSystem that is not a dependent in a HostedDependency relationship to another ComputerSystem. The Partitioning System also has the Dedicated property set to “Not Dedicated” plus the Dedicated values of the partitioned systems it supports.

In Figure 28, the Partitioning Ports have been added. For this Profile, the NetworkPort class or a subclass is required to identify the partitioning entity.

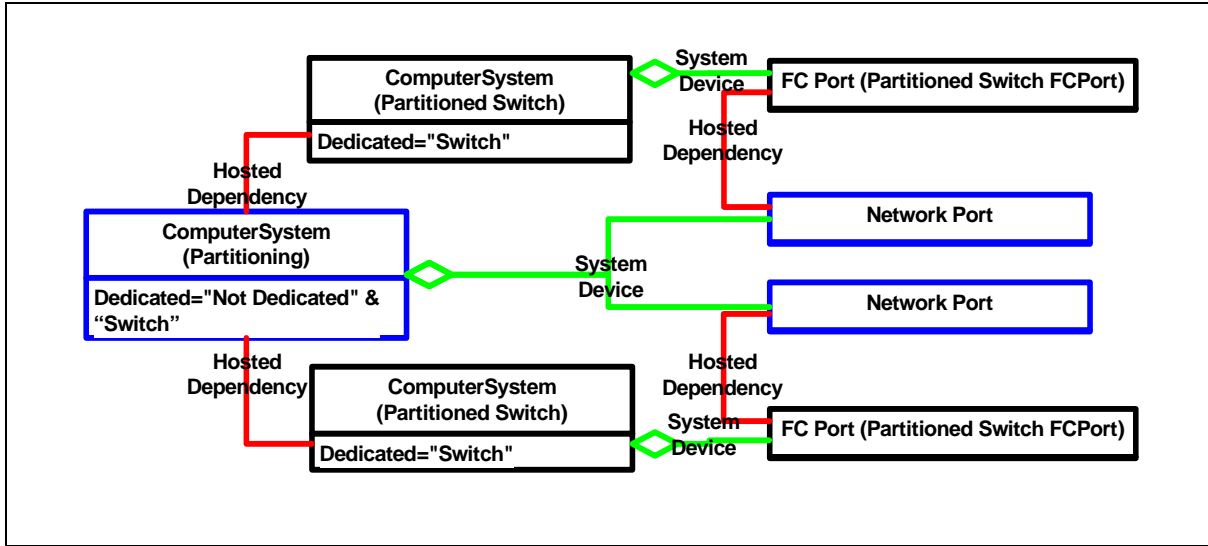


Figure 28 - Switch and Partitioning System and Partitioning Ports

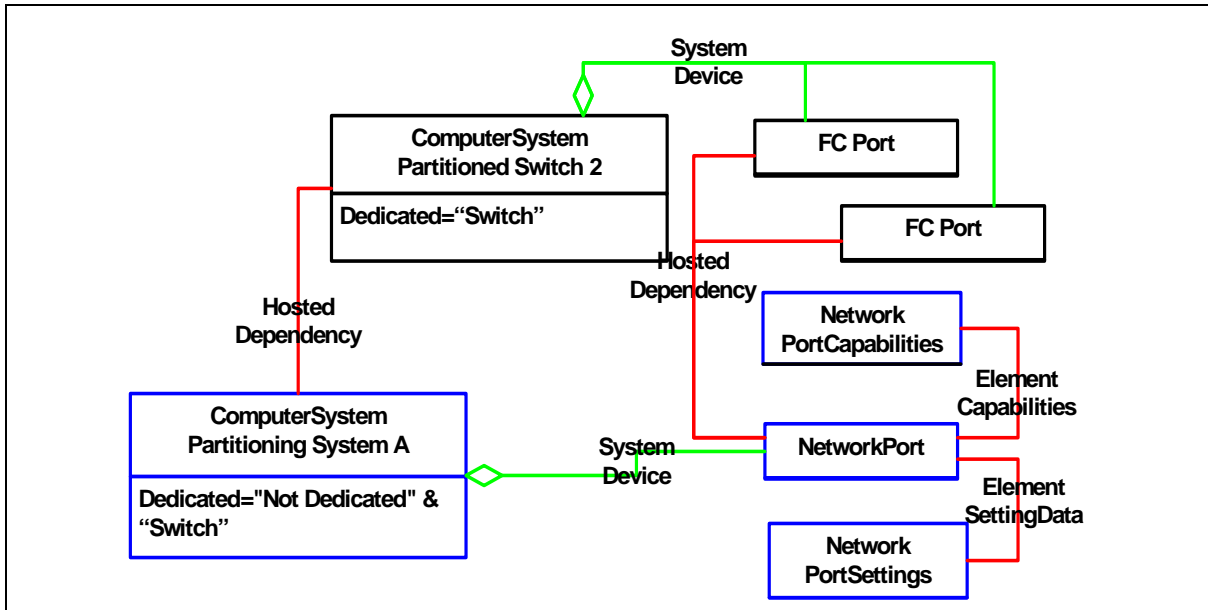


Figure 29 - Underlying System Port Settings and Capabilities

In Figure 29, there is the class **NetworkPortCapabilities** with the property **NetworkIDsConfigurable** which indicates whether this port can be assigned to a particular fibre channel fabric. If this property is true, then the property, **NetworkIDsFormat** should be **VF_ID** and the array property **NetworkIDs** can be set to define which fibre channel virtual fabrics this port can belong to. When the port connects to one of the fibre channel fabrics in the setting, an **FCPort** instance shall be instantiated to represent the Fibre Channel Port that is active in the particular fabric with the association **HostedDependency** showing which **NetworkPort** the **FCPort** was partitioned from. If the setting contained more than one **NetworkID**, for every active connection to a fabric, an instance of **FCPort** shall be instantiated.

The FCSwitches partitioned from the partitioning ComputerSystem are implicitly created when a FCPort is connected to a virtual fabric. Currently there is no mechanism to explicitly create a partitioned switch.

The Physical Package Package is supported as part of this subprofile and shall be associated to the partitioning system. The partitioned systems may also be associated to the Physical Package Package if the partitioned system is defined in a separate profile/subprofile. For example, the partitioned system in the Switch Profile may associate to the same instances of PhysicalPackage and Product that the partitioning system is associated to.

15.2 Health and Fault Management Consideration

None

15.3 Cascading Considerations

None

15.4 Supported Profiles, Subprofiles, and Packages

Table 200 describes the supported profiles for FabricSwitchPartitioning.

Table 200 - Supported Profiles for FabricSwitchPartitioning

Profile Name	Organization	Version	Requirement	Description
Physical Package	SNIA	1.5.0	Mandatory	

15.5 Methods of the Profile

None

15.6 Client Considerations and Recipes

None

15.7 Registered Name and Version

FabricSwitchPartitioning version 1.5.0 (Component Profile)

15.8 CIM Elements

Table 201 describes the CIM elements for FabricSwitchPartitioning.

Table 201 - CIM Elements for FabricSwitchPartitioning

Element Name	Requirement	Description
15.8.1 CIM_ComputerSystem (Partitioned)	Mandatory	The partitioned ComputerSystem.
15.8.2 CIM_ComputerSystem (Partitioning)	Mandatory	The partitioning ComputerSystem.
15.8.3 CIM_ElementCapabilities (Association between NetworkPort and NetworkPortCapabilities)	Mandatory	Association between NetworkPort and NetworkPortCapabilities.
15.8.4 CIM_ElementConformsToProfile (Partitioning ComputerSystem to Switch Partitioning RegisteredProfile)	Mandatory	Ties the Partitioning ComputerSystem to the registered profile for Switch Partitioning.
15.8.5 CIM_ElementSettingData (Association between NetworkPort and NetworkPortSettings)	Mandatory	Association between NetworkPort and NetworkPortSettings.

Table 201 - CIM Elements for FabricSwitchPartitioning

Element Name	Requirement	Description
15.8.6 CIM_FCPort (Partitioned)	Mandatory	Fibre Channel Port on the partitioned system.
15.8.7 CIM_HostedDependency (NetworkPort to FCPort)	Mandatory	Association between NetworkPort to FCPort.
15.8.8 CIM_HostedDependency (Partitioning CS to Partitioned CS)	Mandatory	Association between the Partitioning ComputerSystem and Partitioned ComputerSystem.
15.8.9 CIM_NetworkPort (Partitioning)	Mandatory	The partitioning port.
15.8.10 CIM_NetworkPortCapabilities	Mandatory	The NetworkPort Capabilities.
15.8.11 CIM_NetworkPortSettings	Mandatory	Defines the Virtual Fabrics the switch port can connect to.
15.8.12 CIM_SystemDevice (FCPort to Partitioned ComputerSystem)	Mandatory	Associates the partitioned classes (FCPort to the ComputerSystem).
15.8.13 CIM_SystemDevice (NetworkPort to ComputerSystem)	Mandatory	Associates the partitioning classes (NetworkPort to the ComputerSystem).

15.8.1 CIM_ComputerSystem (Partitioned)

The ComputerSystem representing the Interconnect Element (e.g. a switch) or Platform (e.g. Host and Array).

Created By: External

Modified By: Static

Deleted By: External

Requirement: Mandatory

Table 202 describes class CIM_ComputerSystem (Partitioned).

Table 202 - SMI Referenced Properties/Methods for CIM_ComputerSystem (Partitioned)

Properties	Flags	Requirement	Description & Notes
CreationClassName		Mandatory	Name of Class.
Name	C	Mandatory	The Partitioned System Name. The name shall be correlateable to the system represented (e.g., a Switch).
Dedicated		Mandatory	
OtherIdentifyingInfo		Conditional	Conditional requirement: Required if the Virtual Fabrics profile is implemented. One of the entries shall contain the Virtual Fabric ID for the virtual fabric (if virtual fabrics is implemented). Other entries in OtherIdentifyingInfo define the partitioned system (e.g., Switch OtherIdentifyInfo if the Partitioned system is a Switch).
IdentifyingDescriptions		Conditional	Conditional requirement: Required if the Virtual Fabrics profile is implemented. One of the entries shall contain 'SNIA:VF_ID' for the virtual fabric (if virtual fabrics is implemented). Other entries in IdentifyingDescriptions define the partitioned system (e.g., Switch IdentifyDescriptions if the Partitioned system is a Switch).

15.8.2 CIM_ComputerSystem (Partitioning)

The ComputerSystem representing the Interconnect Element (e.g. a switch) or Platform (e.g. Host and Array).

Created By: External

Modified By: Static
 Deleted By: External
 Requirement: Mandatory

Table 203 describes class CIM_ComputerSystem (Partitioning).

Table 203 - SMI Referenced Properties/Methods for CIM_ComputerSystem (Partitioning)

Properties	Flags	Requirement	Description & Notes
CreationClassName		Mandatory	Name of Class.
Name		Mandatory	The Partitioning System Name.
Dedicated		Mandatory	

15.8.3 CIM_ElementCapabilities (Association between NetworkPort and NetworkPortCapabilities)

Association between NetworkPort and NetworkPortCapabilities.

Created By: Static
 Modified By: Static
 Deleted By: Static
 Requirement: Mandatory

Table 204 describes class CIM_ElementCapabilities (Association between NetworkPort and NetworkPortCapabilities).

Table 204 - SMI Referenced Properties/Methods for CIM_ElementCapabilities (Association between NetworkPort and NetworkPortCapabilities)

Properties	Flags	Requirement	Description & Notes
ManagedElement		Mandatory	The reference to the NetworkPort.
Capabilities		Mandatory	The reference to the NetworkPortCapabilities.

15.8.4 CIM_ElementConformsToProfile (Partitioning ComputerSystem to Switch Partitioning RegisteredProfile)

The CIM_ElementConformsToProfile ties Partitioning ComputerSystem to the registered profile for Switch Partitioning.

Created By: Static
 Modified By: Static
 Deleted By: Static
 Requirement: Mandatory

Table 205 describes class CIM_ElementConformsToProfile (Partitioning ComputerSystem to Switch Partitioning RegisteredProfile).

Table 205 - SMI Referenced Properties/Methods for CIM_ElementConformsToProfile (Partitioning ComputerSystem to Switch Partitioning RegisteredProfile)

Properties	Flags	Requirement	Description & Notes
ManagedElement		Mandatory	A Partitioning ComputerSystem that represents the a base system supporting partitioned systems.
ConformantStandard		Mandatory	RegisteredProfile instance describing the Switch Partitioning profile.

15.8.5 CIM_ElementSettingData (Association between NetworkPort and NetworkPortSettings)

Association between NetworkPort and NetworkPortSettings.

Created By: Static

Modified By: Static

Deleted By: Static

Requirement: Mandatory

Table 206 describes class CIM_ElementSettingData (Association between NetworkPort and NetworkPortSettings).

Table 206 - SMI Referenced Properties/Methods for CIM_ElementSettingData (Association between NetworkPort and NetworkPortSettings)

Properties	Flags	Requirement	Description & Notes
SettingData		Mandatory	The reference to the NetworkPortSettings.
ManagedElement		Mandatory	The reference to the NetworkPort.

15.8.6 CIM_FCPort (Partitioned)

Fibre Channel Port on the partitioned system. (e.g., a switch partition).

Created By: Static

Modified By: Static

Deleted By: Static

Requirement: Mandatory

Table 207 describes class CIM_FCPort (Partitioned).

Table 207 - SMI Referenced Properties/Methods for CIM_FCPort (Partitioned)

Properties	Flags	Requirement	Description & Notes
SystemCreationClassName		Mandatory	The scoping System's CreationClassName.
SystemName		Mandatory	The scoping System's Name.
CreationClassName		Mandatory	Name of Class.
DeviceID		Mandatory	Opaque.
ElementName		Optional	Port Symbolic Name if available. Otherwise NULL. If the underlying implementation includes characters that are illegal in CIM strings, then truncate before the first of those characters.

Table 207 - SMI Referenced Properties/Methods for CIM_FCPort (Partitioned)

Properties	Flags	Requirement	Description & Notes
PermanentAddress	CD	Mandatory	Fibre Channel Port WWN. Expressed as 16 un-separated upper case hex digits (see Table 4 for more information about formats).
NetworkAddresses	C	Mandatory	Fibre Channel ID (FCID). Expressed as 8 un-separated upper case hex digits (see Table 4 for more information about formats).
OperationalStatus		Mandatory	The operational status of the FC Port.
PortType		Mandatory	The specific port type currently enabled (from FC-GS Port.Type).
LinkTechnology		Mandatory	Shall be 4 ('FC').
SupportedFC4Types		Optional	An array of integers indicating the Fibre Channel FC-4 protocols supported. EXPERIMENTAL When supporting FC-SB, this property shall be either '27' (FC-SB-2 Channel) for Host Ports or '28' (FC-SB-2 Control Unit) for targets. EXPERIMENTAL .
SupportedCOS		Optional	An array of integers indicating the Fibre Channel Classes of Service that are supported. EXPERIMENTAL When supporting FC-SB, this property shall be either '2' or '3' for FC-SB-2 Channel or FC-SB-2 Control Unit ports, respectively. EXPERIMENTAL .

15.8.7 CIM_HostedDependency (NetworkPort to FCPort)

The association between the partitioning NetworkPort and the partitioned FCPort. The Antecedent references the partitioning port and the Dependent references the partitioned port. The association can be used to determine whether the system is in the underlying SAN topology or the Fabric topology.

Created By: Static

Modified By: Static

Deleted By: Static

Requirement: Mandatory

Table 208 describes class CIM_HostedDependency (NetworkPort to FCPort).

Table 208 - SMI Referenced Properties/Methods for CIM_HostedDependency (NetworkPort to FCPort)

Properties	Flags	Requirement	Description & Notes
Antecedent		Mandatory	NetworkPort representing the Partitioning System.
Dependent		Mandatory	FCPort representing the Partitioned System.

15.8.8 CIM_HostedDependency (Partitioning CS to Partitioned CS)

The association between the Partitioning ComputerSystem and the Partitioned ComputerSystem. The Antecedent references the partitioning system and the Dependent references the partitioned system. The association can be used to determine whether the system is in the underlying SAN topology or the Fabric topology.

Created By: Static

Modified By: Static

Deleted By: Static

Requirement: Mandatory

Table 209 describes class CIM_HostedDependency (Partitioning CS to Partitioned CS).

Table 209 - SMI Referenced Properties/Methods for CIM_HostedDependency (Partitioning CS to Partitioned CS)

Properties	Flags	Requirement	Description & Notes
Antecedent		Mandatory	ComputerSystem representing the Partitioning System.
Dependent		Mandatory	ComputerSystem representing the Partitioned System.

15.8.9 CIM_NetworkPort (Partitioning)

The partitioning port.

Created By: External

Modified By: Static

Deleted By: External

Requirement: Mandatory

Table 210 describes class CIM_NetworkPort (Partitioning).

Table 210 - SMI Referenced Properties/Methods for CIM_NetworkPort (Partitioning)

Properties	Flags	Requirement	Description & Notes
SystemCreationClassName		Mandatory	The scoping System's CreationClassName.
SystemName		Mandatory	The scoping System's Name.
CreationClassName		Mandatory	Name of Class.
DeviceID		Mandatory	Opaque.

15.8.10 CIM_NetworkPortCapabilities

The NetworkPort Capabilities.

Created By: Static

Modified By: Static

Deleted By: Static

Requirement: Mandatory

Table 211 describes class CIM_NetworkPortCapabilities.

Table 211 - SMI Referenced Properties/Methods for CIM_NetworkPortCapabilities

Properties	Flags	Requirement	Description & Notes
InstanceID		Mandatory	Opaque.
ElementName		Mandatory	Must be set to "NetworkPortCapabilities".
NetworkIDsConfigurable		Mandatory	If the switch supports configuring virtual fabrics, this property must be TRUE. If the switch only supports discovery, this property must be FALSE.
NetworkIDsFormat		Mandatory	For configuring virtual fabrics, this property must for VF_ID.

15.8.11 CIM_NetworkPortSettings

Defines the Virtual Fabrics the switch port can connect to. The property NetworkIDs is an array which should contain the Virtual Fabric IDs (VF_ID) that the NetworkPort will partition FCPorts for.

Created By: Static

Modified By: Static

Deleted By: Static

Requirement: Mandatory

Table 212 describes class CIM_NetworkPortSettings.

Table 212 - SMI Referenced Properties/Methods for CIM_NetworkPortSettings

Properties	Flags	Requirement	Description & Notes
InstanceID		Mandatory	Opaque.
ElementName		Mandatory	Must be set to "NetworkPortSettings".
NetworkIDs		Mandatory	Contains the Virtual Fabric IDs that the NetworkPort will host FCPorts for.

15.8.12 CIM_SystemDevice (FCPort to Partitioned ComputerSystem)

Associates the FCPort to the partitioned ComputerSystem.

Created By: External

Modified By: Static

Deleted By: External

Requirement: Mandatory

Table 213 describes class CIM_SystemDevice (FCPort to Partitioned ComputerSystem).

Table 213 - SMI Referenced Properties/Methods for CIM_SystemDevice (FCPort to Partitioned Computer-System)

Properties	Flags	Requirement	Description & Notes
GroupComponent		Mandatory	The reference to the partitioned ComputerSystem.
PartComponent		Mandatory	The reference to the partitioned FCPort.

15.8.13 CIM_SystemDevice (NetworkPort to ComputerSystem)

Associates the NetworkPort to the ComputerSystem.

Created By: External

Modified By: Static

Deleted By: External

Requirement: Mandatory

Table 214 describes class CIM_SystemDevice (NetworkPort to ComputerSystem).

Table 214 - SMI Referenced Properties/Methods for CIM_SystemDevice (NetworkPort to ComputerSystem)

Properties	Flags	Requirement	Description & Notes
GroupComponent		Mandatory	The reference to the ComputerSystem.
PartComponent		Mandatory	The reference to the NetworkPort.

EXPERIMENTAL

EXPERIMENTAL

16 Extender Profile

16.1 Description

A FC Extender is a logical entity representing an inter-switch link consisting of two FC Extender Node devices and the Network pipes that connect them.

A FC Extender is used to connect two Fabrics across a LAN, MAN, WAN, or other network communications media.

A FC Extender Node is a physical device that converts Fibre Channel protocol for transmission over different network communication technologies.

The domain of the Extender Group is defined by Network, which is a subclass of AdminDomain.

16.1.1 FC Extender Node Topology Classes

The ComputerSystem class is the core of the model. It is identified as an Extender node by the dedicated attribute being set to ExtenderNode.

The TCPSettings and IPSettings classes represent the global configuration of the FC Extender transport layer.

The Port group of classes contains the following classes: FCPort, and EthernetPort. The FCPort class represents the connection of a FC Extender to a SAN. This class connects to other FCPort classes to represent Fibre channel connections. This class could be replaced with other port types to represent SANs based on other interconnect technology. The EthernetPort class represents an Ethernet link between FC Extender nodes. Figure 30 shows an FC Extender Node instance.

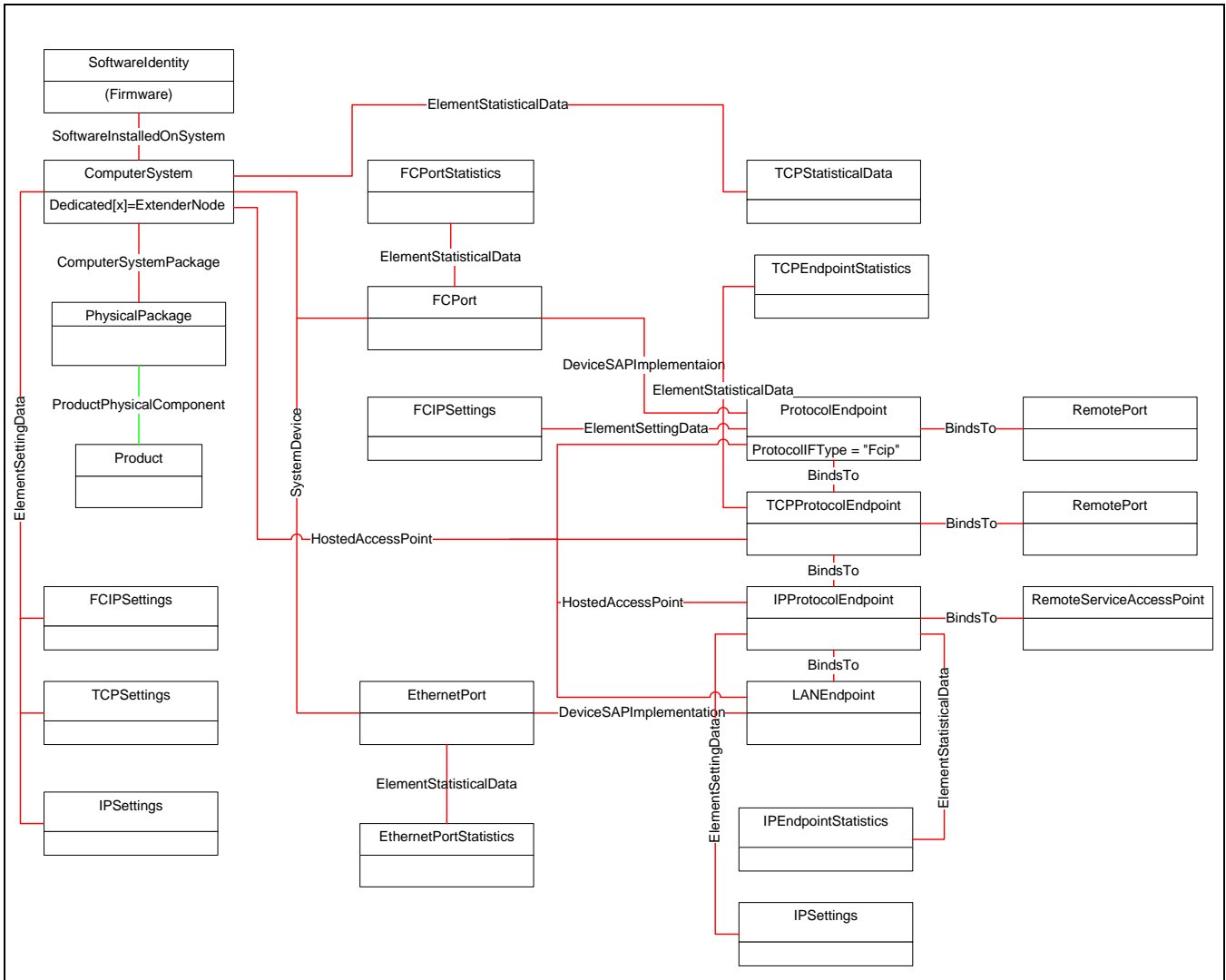


Figure 30 - FC Extender Node Instance

16.1.2 FC Extender Node Network Connectivity Classes

Each FC Extender node local ProtocolEndpoint (e.g., FCProtocolEndpoints, TCPProtocolEndpoints) has a BindsTo dependency on a RemotePort that describes access or addressing information to a remote ProtocolEndpoint for a specific connection.

The Extender node represents ProtocolEndpoints dependencies (e.g., FC ProtocolEndpoint on TCPProtocolEndpoints, TCPProtocolEndpoint on IPProtocolEndpoint, IPProtocolEndpoint on EthernetProtocolEndpoint) with a BindsTo association.

16.1.3 FC Extender Group Network Connectivity Classes

A FC Extender connection is represented by a NetworkPipe class associated with FCProtocolEndpoints. A FCExtender Network class groups multiple NetworkPipes.

The NetworkPipe between FCProtocolEndpoints is composed of lower-level TCP network pipes. Figure 31 shows a FC Extender Group instance.

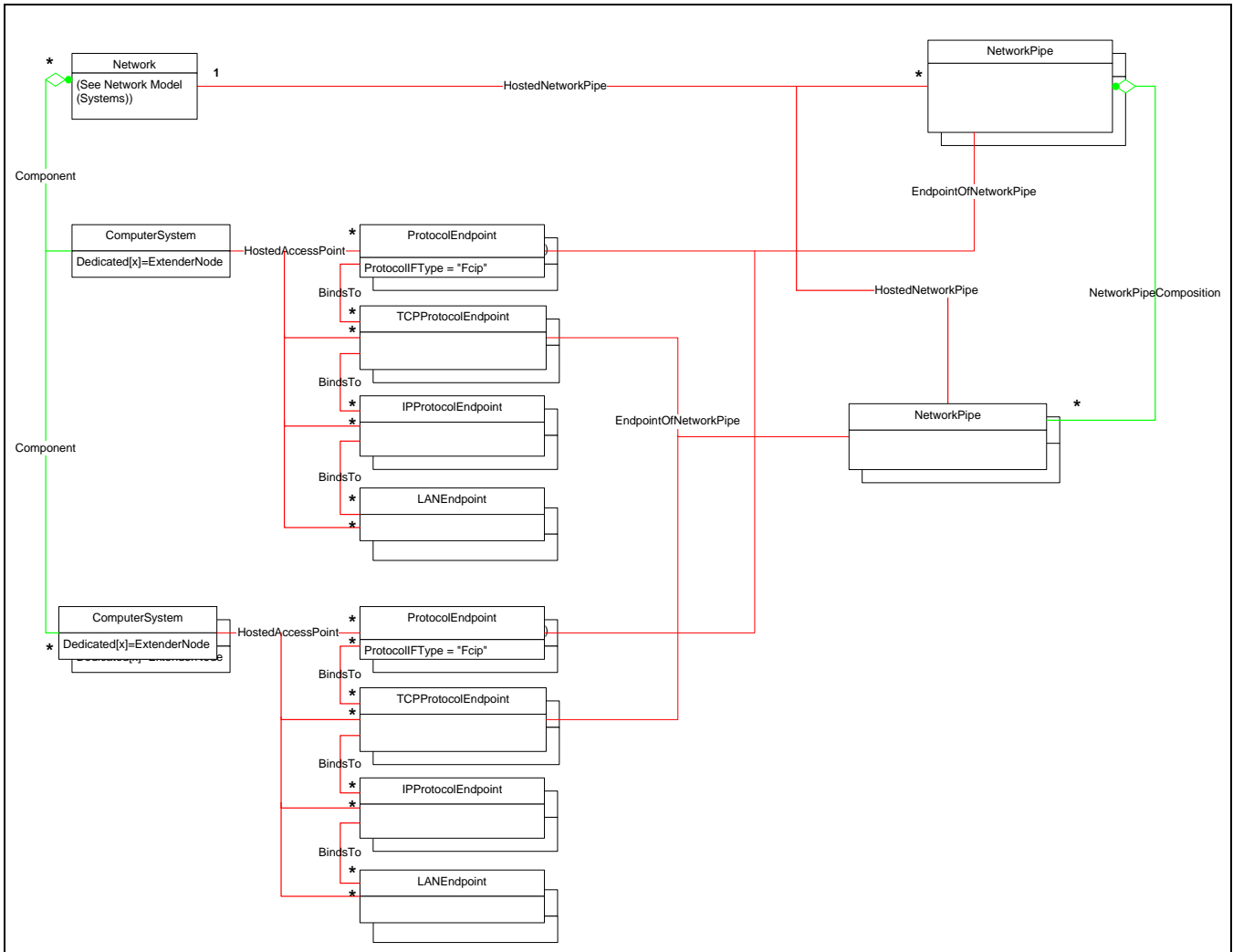


Figure 31 - FC Extender Group Instance

EXPERIMENTAL

16.1.4 Extender Predefined Indications

If the optional Experimental Indication profile is supported by an implementation of the Extender profile, it shall implement the `SNIA_IndicationConfigurationService` and its associated `SNIA_IndicationConfigurationCapabilities`. If the implementation supports predefined `IndicationFilters` or predefined `IndicationFilterCollections` this shall be indicated in the `SupportedFeatures` property of the `SNIA_IndicationConfigurationCapabilities`. If a value "3" is present, it means the implementation supports predefined `IndicationFilters`. If a value of "5" is present, it means the implementation supports predefined `IndicationFilterCollections`.

Figure 32 illustrates classes that shall be populated by the Extender profile if both "3" and "5" are present in the `SupportedFeatures` property.

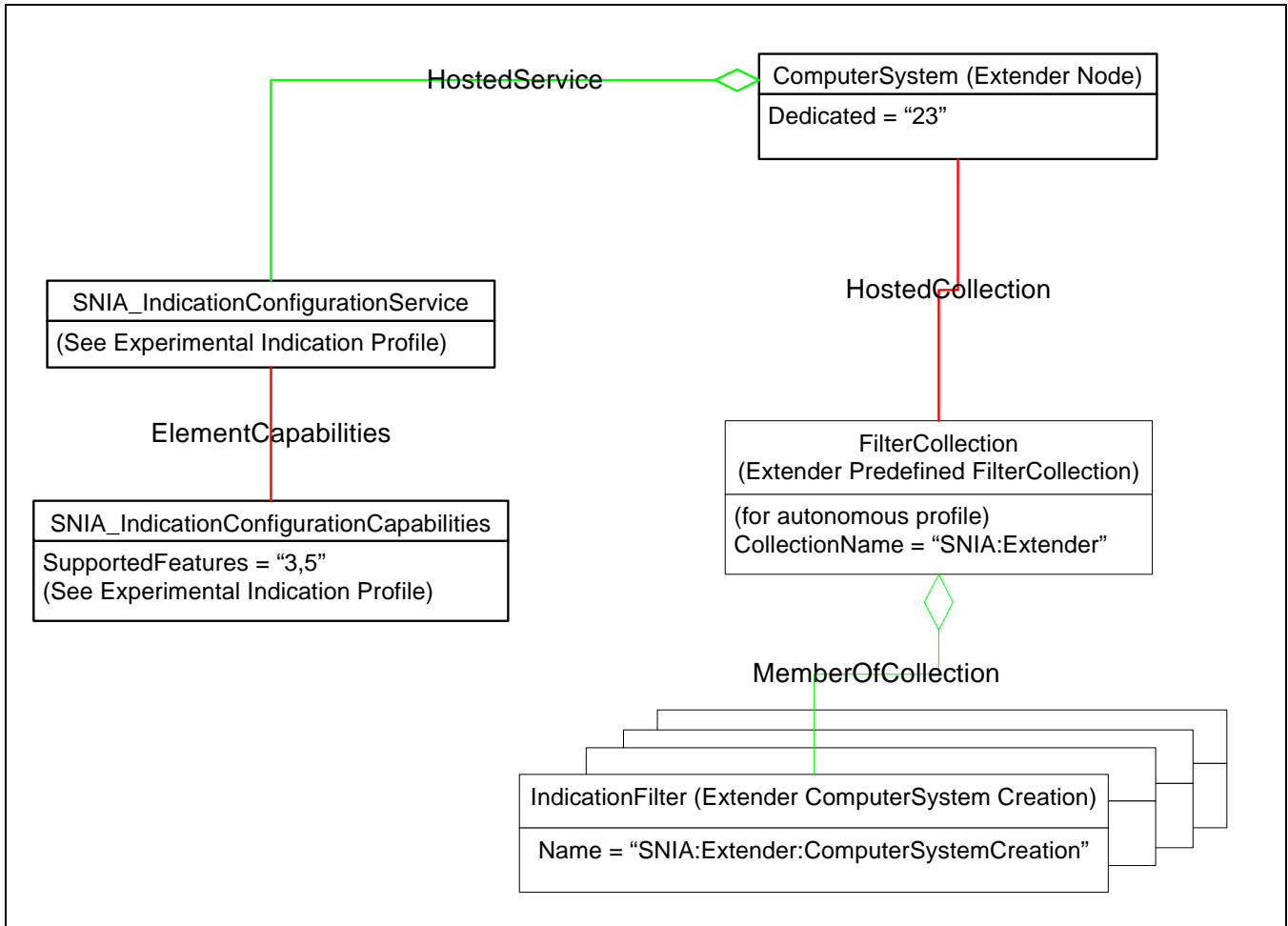


Figure 32 - Predefined Extender IndicationFilters and Collection

The SNIA_IndicationConfigurationService is hosted on the extender node ComputerSystem. The FilterCollection for the Extender is also hosted on the extender node ComputerSystem. The Extender FilterCollection has members which are all the predefined IndicationFilters supported by the implementation. This shall include all Mandatory IndicationFilters of the Extender Profile. But it should also include any IndicationFilter that has been predefined by the implementation. This may include conditional, optional or vendor specific IndicationFilters supported by the implementation.

The Extender FilterCollection shall have the CollectionName “SNIA:Extender”. Each of the predefined filters shall have the Name property as defined for the IndicationFilter. In Figure 32 the name of the IndicationFilter (Extender ComputerSystem Creation) is “SNIA:Extender:ComputerSystemCreation”. For vendor specific IndicationFilters (not defined in this standard), the Name of the filter would be of the form ORG_ID:Extender:UNIQUE_ID, where ORGID is the designation of the vendor that is providing the implementation.

EXPERIMENTAL

16.2 Health and Fault Management

None

16.3 Cascading Considerations

None

16.4 Supported Subprofiles and Packages

Table 215 describes the supported profiles for Extender.

Table 215 - Supported Profiles for Extender

Profile Name	Organization	Version	Requirement	Description
Physical Package	SNIA	1.5.0	Mandatory	
Software	SNIA	1.4.0	Mandatory	
Indication	SNIA	1.5.0	Mandatory	
Experimental Indication	SNIA	1.5.0	Optional	Experimental.

16.5 Methods of this Profile

None

16.6 Client Considerations and Recipes

16.6.1 Extender Connectivity Settings

```

// Description
// Collecting settings
// of Extender node connectivity elements participating in the Extender
// of interest.
// $extenderNodeFCIPSettings(fcip protocol endpoint settings)
// $extenderNodeTCPSettings (transport layer settings)
// $extenderIPSettings (ip protocol endpoint settings)
// PREEXISTING CONDITIONS AND ASSUMPTIONS
// The Extender fcip ProtocolEndpoint has been previously
// identified and defined in the $fcipProtocolEndpoint-> variable
// 1. Get ComputerSystem associated with $fcipProtocolEndpoint

$extenderNodes[] = Associators(
    $fcipProtocolEndpoint->,
    CIM_HostedAccessPoint,
    CIM_ComputerSystem,
    Antecedent,
    Dependent,
    false,
    false,
    [Dedicated])
if (contains(23, $extenderNodes[0].Dedicated))
{
    #extenderNodeAccessA = true

```

Extender Profile

```
$extenderNode-> = $extenderNodes[0].getObjectPath()
}
if(#extenderNodeAccessA)
{
//2. Get fcip protocol endpoint

// find FCIP Settings
$fcipSettings[]= Associators(
    $fcipProtocolEndpoint,
    CIM_ElementSettingData,
    CIM_FCIPSettings,
    ManagedElement,
    SettingData,
    false,
    false,
    null)
if ($fcipSettings[].length != 0)
    $extenderNodeFCIPSettings = $fcipSettings[0]

//3. Get transport layer settings

$tcpSettings[]= Associators(
    $extenderNode->,
    CIM_ElementSettingData,
    CIM_TCPSettings,
    ManagedElement,
    SettingData,
    false,
    false,
    null)
if ($tcpSettings[].length != 0)
    $extenderNodeTCPSettings = $tcpSettings[0]

//4. Find TCPProtocolEndpoint bound to the extender fcip ProtocolEndpoint

$tcpProtocolEndpoint->[]= AssociatorNames(
    $fcipProtocolEndpoint->,
    CIM_BindTo,
    CIM_TCPProtocolEndpoint,
    Dependent,
    Antecedent,
    false,
    false,
    null))
```

```
//5. Find IPProtocolEndpoint bound to the extender tcp ProtocolEndpoint

$ipProtocolEndpoints->[]= AssociatorNames(
    $tcpProtocolEndpoint->,
    CIM_BindTo,
    CIM_IPProtocolEndpoint,
    Dependent,
    Antecedent,
    false,
    false,
    null)
$ipProtocolEndpoint-> = $ipProtocolEndpoints->[0]

//6. Find IPProtocolEndpoint settings

$ipSettings[]= Associators(
    $ipProtocolEndpoint->,
    CIM_ElementSettingData,
    CIM_IPSettings,
    ManagedElement,
    SettingData,
    false,
    false,
    null)
if ($ipSettings[].length != 0)
    $extenderNodeIPSettings = $ipSettings[0]

}
```

16.6.2 Extender Connective Statistics

```
// Description
// Collecting statistical data
// of Extender node connectivity elements participating in the Extender
// of interest.
// $extenderNodeTCPStatisticalData (transport layer stats)
// $extenderIPEndpointStatistics (IP protocol endpoint stats)
// PREEXISTING CONDITIONS AND ASSUMPTIONS
// The Extender fcip ProtocolEndpoint has been previously
// identified and defined in the $fcipProtocolEndpoint-> variable
```

Extender Profile

```
// 1. Get ComputerSystem associated with $fcipProtocolEndpoint

$extenderNodes[] = Associators(
    $fcipProtocolEndpoint->,
    CIM_HostedAccessPoint,
    CIM_ComputerSystem,
    Antecedent,
    Dependent,
    false,
    false,
    [Dedicated])
if (contains(23, $extenderNodes[0].Dedicated))
{
    #extenderNodeAccess = true
    $extenderNode-> = $extenderNodes[0].getObjectPath()
}
if(#extenderNodeAccess)
{
//2. Get transport layer statistics

    $tcpStatistics[] = Associators(
        $extenderNode->,
        CIM_ElementStatisticalData,
        CIM_TCPStatisticalData,
        ManagedElement,
        Stats,
        false,
        false,
        null))
    $extenderNodeTCPStatisticalData = $tcpStatistics[0]

//3. Find TCPProtocolEndpoint bound to the extender fcip ProtocolEndpoint

    $tcpProtocolEndpoint->[]= AssociatorNames(
        $fcipProtocolEndpoint->,
        CIM_BindTo,
        CIM_TCPProtocolEndpoint,
        Dependent,
        Antecedent,
        false,
        false,
        null))

//4. Find IPProtocolEndpoint bound to the extender tcp ProtocolEndpoint
```

Extender Profile

```
$ipProtocolEndpoint->[]= AssociatorNames(  
    $tcpProtocolEndpoint->,  
    CIM_BindTo,  
    CIM_IPProtocolEndpoint,  
    Dependent,  
    Antecedent,  
    false,  
    false,  
    null))  
  
//5. Find IPProtocolEndpoint statistics  
  
$ipStatistics[]= Associators(  
    $ipProtocolEndpoint->,  
    CIM_ElementStatisticalData,  
    CIM_IPEndpointStatistics,  
    ManagedElement,  
    Stats,  
    false,  
    false,  
    null)  
  
$extenderIPEndpointStatistics = $ipStatistics[0]  
  
}
```

16.6.3 Extender Port Group Information

```
// Description  
// Collecting configuration and statistical data  
// of Extender node ports participating in the Extender  
// of interest.  
// $extenderNodeFCPort (connected to a switch)  
// $extenderNodeFCPortStatistics  
// $extenderNodeEthernetPort (connected to a peer Extender node)  
// $extenderNodeEthernetStatistics  
// PREEXISTING CONDITIONS AND ASSUMPTIONS  
// The Extender fcip ProtocolEndpoint has been previously  
// identified and defined in the $fcipProtocolEndpoint-> variable  
  
// 1. Get ComputerSystem associated with $fcipProtocolEndpoint  
  
$extenderNodes[] = Associators(  
    $fcipProtocolEndpoint->,  
    CIM_HostedAccessPoint,  
    CIM_ComputerSystem,
```

Extender Profile

```
Antecedent,
Dependent,
false,
false,
[Dedicated])
if (contains(23, $extenderNodes[0].Dedicated))
{
    #extenderNodeAccess = true
}
if(#extenderNodeAccess)
{
    // 2. Get FC port

    $fcPorts[] = Associators(
        $fcipProtocolEndpoints->,
        CIM_DeviceSAPImplementation,
        CIM_FCPort,
        Dependent,
        Antecedent,
        false,
        false,
        null)
    $extenderNodeFCPort = $fcPorts[0]

    // 2. Get FC port statistics

    $fcPortStatistics->[] = Associators(
        $extenderNodeFCPort.getObjectPath(),
        CIM_ElementStatisticalData,
        CIM_FCPortStatistics,
        ManagedElement,
        Stats,
        false,
        false,
        null))
    $extenderNodeFCPortStatistics = $fcPortStatistics[0]

    //3. Find TCPProtocolEndpoint bound to the extender FCIP ProtocolEndpoint

    $tcpProtocolEndpoints->[] = AssociatorNames(
        $fcipProtocolEndpoint->,
        CIM_BindTo,
        CIM_TCPProtocolEndpoint,
        Dependent,
        Antecedent,
        false,
        false,
```

Extender Profile

```
        null))
    // at least one should exist
    $tcpProtocolEndpoint->=$tcpProtocolEndpoints->[0]

//4. Find IPProtocolEndpoint bound to the extender TCP ProtocolEndpoint

    $ipProtocolEndpoint->[]= AssociatorNames(
        $tcpProtocolEndpoint->,
        CIM_BindTo,
        CIM_IPProtocolEndpoint,
        Dependent,
        Antecedent,
        false,
        false,
        null))
    $ipProtocolEndpoint->=$ipProtocolEndpoints->[0]

//5. Get Ethernet port

    $ethernetPorts[] = Associators(
        $ipProtocolEndpoints->,
        CIM_DeviceSAPImplementation,
        CIM_EthernetPort,
        Dependent,
        Antecedent,
        false,
        false,
        null)
    $extenderNodeEthernetPort = $ethernetPorts[0]

//6. Get Ethernet port statistics

    $ethernetPortStatistics->[] = Associators(
        $extenderNodeEthernetPort.getObjectPath(),
        CIM_ElementStatisticalData,
        CIM_EthernetStatistics,
        ManagedElement,
        Stats,
        false,
        false,
        null))
    $extenderNodeEthernetPortStatistics = $ethernetPortsStatistics[0]

}
```

16.6.4 Extender Topology Mapping

```

// This recipe describes how to build a topology graph of a fabric.
//
// 1. Identifies all the Switches and adds their objects paths and the
// object paths of the FC Ports belonging to these Switches to the $nodes
// array
//
// 2. Creates a suitable Association instance (e.g. a SystemDevice
// Association instance between a Switch and a FC Port), setting its
// GroupComponent and PartComponent. Adds the object path of the
// Association to the $links array
//
// 3. Creates a map of all connected FC Ports (i.e., belonging to Switches
// that are ISL'd together and to Host HBAs and Storage System Front End
// Controllers)
//
// In this map, the FC Ports (i.e., the ones that are connected) are
// cross-connected.
//
// e.g., For a pair of FC Ports, one belonging to a Switch and the other
// belonging to a Host (HBA), the map indexed by the Switch Port WWN returns
// the Host (HBA) FC Port object path and the map indexed by the Host (HBA)
// FC Port WWN returns the Switch FC Port object path.
//
// Similar relationship exists between the pairs of FC Ports where one
// belongs to a Switch and the other belonging belongs to a Storage System
// Front End Controller and for FC Ports each of which belongs to a Switch.
//
// 4. Identifies all the Hosts and adds their objects paths to the $nodes
// array. Note that the object paths of the FC Ports (HBA Ports) belonging
// to these Hosts are already added to the $nodes array in step-3.
//
// 5. Creates a suitable Association instance (e.g. a SystemDevice
// Association instance between a Host and a FC Port), setting its
// GroupComponent and PartComponent. Adds the object path of the Association
// to the $links array.
//
// 6. Identifies all the Storage Systems and adds their objects paths to the
// $nodes array.
// Note that the object paths of the FC Ports (i.e., Front End Controller
// FC Ports) belonging to these Storage Systems are already added to the
// $nodes array in step-3.
//

```


Extender Profile

```
// 7. Creates a suitable Association instance (e.g. a SystemDevice
// Association instance between a Storage System and a FC Port), setting
// its GroupComponent and PartComponent. Adds the object path of the
// Association to the $links array.

// DESCRIPTION
// Create a map of how elements in a SAN are connected together via
// Fibre-ChannelFC ports.
//
// The map is built in array $attachedFcPorts->[], where the index is a
// WWN of any device port on the SAN, and the value at that index is
// the object path of the connected Switch or HBA or Storage System FC port.
//
// First find all the switches in a SAN. Get all the FC Ports for each
// switch and get the Attached FC Ports for each Switch FC Port. Save these
// device FC ports in the map described above.

// PREEXISTING CONDITIONS AND ASSUMPTIONS
// 1. All agents/namespaces supporting Fabric Profile previously identified
// using SLP. Do this for each CIMOM supporting Fabric Profile

switches[] = enumerateInstances("CIM_ComputerSystem", true, false, true, true,
                               null)
for #i in $switches[]
{
    if (!contains(5, $switches[#i].Dedicated))
        continue

    // only process switches, not other computer systems

    // Add the switch to the $nodes array

    $nodes.addIfNotAlreadyAdded ($switches[#i].getObjectPath());

    // Get all the SystemDevice associations between this switch and its
    // FC Ports

    $sysDevAssoc[] = ReferenceNames($switches[#i],
                                    "CIM_FCPort",
                                    "GroupComponent");

    // Add these associations to the $links array

    for #a in $sysDevAssoc->[]
    $links.addIfNotAlreadyAdded ($sysDevAssoc->[#a];

    $fcPorts->[] = AssociatorNames(
        $switches[#i].getObjectPath(),
```

Extender Profile

```
"CIM_SystemDevice",
"CIM_FCPort",
"GroupComponent",
"PartComponent")
for #j in $fcPorts->[]
{

// Add the FC Port in $nodes array

$nodes.addIfNotAlreadyAdded (fcPorts->[#j];

$protocolEndpoints->[] = AssociatorNames(
    fcPorts->[#j],
    "CIM_DeviceSAPIImplementation",
    "CIM_ProtocolEndpoint",
    "Antecedent",
    "Dependent");

// NOTE - It is possible for this collection to be empty (i.e., ports
// that are not connected). It is possible for this collection to
// have more than one element (loops attached to a switch port is the
// most common example).

if ($protocolEndpoints->[].length == 0)
    continue

// Add the Protocol End Point to the nodes array.
// Currently this recipe is designed to only save one
// ProtocolEndpoint.

$nodes.addIfNotAlreadyAdded (protocolEndpoints[0]);

// Add the associations between the fcPort and the Protocol end point
// to the links array

$devSAPIimplassoc[] = ReferenceNames($fcPorts->[#j],
    "CIM_ProtocolEndpoint",
    null);
for #a in $devSAPIimplassoc->[]
    $links.addIfNotAlreadyAdded ($devSAPIimplassoc->[#a];

$attachedProtocolEndpoints->[] = AssociatorNames(
    $protocolEndpoints->[0],
    "CIM_ActiveConnection",
    "CIM_ProtocolEndpoint",
    null, null)
```

Extender Profile

```
// Add the Attached Protocol End Point to the nodes array

$nodes.addIfNotAlreadyAdded (attachedProtocolEndpoints->[0]);

// Add the associations between the Protocol end point and the
// Attached protocol endpoint to the links array

$actConnassoc[] = ReferenceNames($protocolEndpoint->[#0],
                                "CIM_ActiveConnection",
                                null);
for #a in $actConnassoc->[]
    $links.addIfNotAlreadyAdded ($actConnassoc->[#a];

// NOTE: role & resultRole are null as the direction of the
// association is not dictated by the specification

// $attachedFcPort is either a device FC port or an ISL'd switch FC
// port from another switch. We store this result is stored (i.e.
// which device FC Port is connected // to which switch FC Port) in
// a suitable data structure for subsequent correlation to ports
// discovered on devices.

for #k in $attachedProtocolEndpoints->[]
{
    $attachedFcPorts->[] = Associators(
        $attachedProtocolEndpoints->[#k],
        "CIM_DeviceSAPIImplementation",
        "CIM_FCPort",
        "Dependent",
        "Antecedent",
        false,
        false,
        ["PermanentAddress"])
    $attachedFcPort = $attachedFcPorts[0] // Exactly one member guaranteed
        by model

    // Add the attached FC Port to the $nodes array
    if $attachedFcPort != null
        $nodes.addIfNotAlreadyAdded ($attachedFcPort);
}
}
}
```

16.7 Registered Name and Version

Extender version 1.5.0 (Autonomous Profile)

16.8 CIM Elements

Table 216 describes the CIM elements for Extender.

Table 216 - CIM Elements for Extender

Element Name	Requirement	Description
16.8.1 CIM_BindsTo (IPPE to PE)	Mandatory	Associates Extender Node ProtocolEndpoints from different layers in the protocol stack.
16.8.2 CIM_BindsTo (IPPE to RemoteSAP)	Mandatory	Associates Extender Node ProtocolEndpoints from different layers in the protocol stack.
16.8.3 CIM_BindsTo (IPPE to RemoteSAP)	Mandatory	Associates Extender Node ProtocolEndpoints from different layers in the protocol stack.
16.8.4 CIM_BindsTo (PE to RemotePort)	Mandatory	Associates Extender Node ProtocolEndpoints from different layers in the protocol stack.
16.8.5 CIM_BindsTo (TCPPE to IPPE)	Mandatory	Associates Extender Node ProtocolEndpoints from different layers in the protocol stack.
16.8.6 CIM_BindsTo (TCPPE to PE)	Mandatory	Associates Extender Node ProtocolEndpoints from different layers in the protocol stack.
16.8.7 CIM_BindsTo (TCPPE to RemotePort)	Mandatory	Associates Extender Node ProtocolEndpoints from different layers in the protocol stack.
16.8.8 CIM_Component	Mandatory	Aggregates Extender Nodes in the Network that represents the group of Extenders.
16.8.9 CIM_ComputerSystem (Extender Node)	Mandatory	Represents the Extender Node Associated to RegisteredProfile.
16.8.10 CIM_DeviceSAPImplementation	Mandatory	
16.8.11 CIM_ElementSettingData (IPPE to IPSettings)	Mandatory	Associates SettingData to Extender Node or ProtocolEndpoints.
16.8.12 CIM_ElementSettingData (PE to FCIPSettings)	Mandatory	Associates SettingData to Extender Node or ProtocolEndpoints.
16.8.13 CIM_ElementSettingData (System to FCIPSettings)	Mandatory	Associates SettingData to Extender Node or ProtocolEndpoints.
16.8.14 CIM_ElementSettingData (System to IPSettings)	Mandatory	Associates SettingData to Extender Node or ProtocolEndpoints.
16.8.15 CIM_ElementSettingData (System to TCPSettings)	Mandatory	Associates SettingData to Extender Node or ProtocolEndpoints.
16.8.16 CIM_ElementSettingData (TCPPE to TCPSettings)	Mandatory	Associates SettingData to Extender Node or ProtocolEndpoints.
16.8.17 CIM_ElementStatisticalData (EthernetPort to EthernetPortStatistics)	Mandatory	Associates StatisticalData to Extender Node or ProtocolEndpoints.
16.8.18 CIM_ElementStatisticalData (FCPort to FCPortStatistics)	Mandatory	
16.8.19 CIM_ElementStatisticalData (IPPE to IPEndpointStatistics)	Mandatory	
16.8.20 CIM_ElementStatisticalData (System to TCPStatisticalData)	Mandatory	
16.8.21 CIM_ElementStatisticalData (TCPPE to TCPEndpointStatistics)	Mandatory	

Table 216 - CIM Elements for Extender

Element Name	Requirement	Description
16.8.22 CIM_EndpointOfNetworkPipe (PE to NetworkPipe)	Mandatory	
16.8.23 CIM_EndpointOfNetworkPipe (TCPPE to NetworkPipe)	Mandatory	
16.8.24 CIM_EthernetPort	Mandatory	
16.8.25 CIM_EthernetPortStatistics	Mandatory	
16.8.26 CIM_FCIPSettings	Mandatory	Defines FCIP settings for a group of ProtocolEndpoints (ProtocolIFType - "Fcip") which belongs to the ComputerSystem (Extender Node).
16.8.27 CIM_FCPort	Mandatory	
16.8.28 CIM_FCPortStatistics	Mandatory	
16.8.29 CIM_FilterCollection (Extender Predefined FilterCollection)	Conditional	Experimental. Conditional requirement: Required if the Experimental Indication Profile is supported and the SNIA_IndicationConfigurationCapabilities.SupportedFeatures='5' (Predefined Filter Collections). This is a collection of predefined IndicationFilters to which a client may subscribe.
16.8.30 CIM_HostedAccessPoint (ComputerSystem to IPProtocolEndpoint)	Mandatory	Associates the ProtocolEndpoint to the ComputerSystem or Network.
16.8.31 CIM_HostedAccessPoint (ComputerSystem to TCPProtocolEndpoint)	Mandatory	Associates the ProtocolEndpoint to the ComputerSystem or Network.
16.8.32 CIM_HostedAccessPoint (ComputerSystem to ProtocolEndpoint)	Mandatory	Associates the ProtocolEndpoint to the ComputerSystem or Network.
16.8.33 CIM_HostedCollection (Extender to predefined FilterCollection)	Conditional	Experimental. Conditional requirement: Required if the Experimental Indication Profile is supported and the SNIA_IndicationConfigurationCapabilities.SupportedFeatures='5' (Predefined Filter Collections).
16.8.34 CIM_HostedNetworkPipe	Mandatory	Associates NetworkPipe to the Network.
16.8.35 CIM_IPEndpointStatistics	Mandatory	
16.8.36 CIM_IPProtocolEndpoint	Mandatory	
16.8.37 CIM_IPSettings	Mandatory	Defines IP settings for a group of IPProtocolEndpoints which belongs to the ComputerSystem.
16.8.38 CIM_IndicationFilter (Extender ComputerSystem Creation)	Conditional	Experimental. Conditional requirement: Required if the Experimental Indication Profile is supported and the SNIA_IndicationConfigurationCapabilities.SupportedFeatures='3' (Predefined Filters). This is the 'pre-defined' CIM_IndicationFilter instance for the addition of a new Extender Node computer system instance.
16.8.39 CIM_IndicationFilter (Extender ComputerSystem Deletion)	Conditional	Experimental. Conditional requirement: Required if the Experimental Indication Profile is supported and the SNIA_IndicationConfigurationCapabilities.SupportedFeatures='3' (Predefined Filters). This is the 'pre-defined' CIM_IndicationFilter instance for the removal of an Extender Node computer system instance.

Table 216 - CIM Elements for Extender

Element Name	Requirement	Description
16.8.40 CIM_IndicationFilter (Extender ComputerSystem OperationalStatus)	Conditional	Experimental. Conditional requirement: Required if the Experimental Indication Profile is supported and the SNIA_IndicationConfigurationCapabilities.SupportedFeatures='3' (Predefined Filters). This is the 'pre-defined' CIM_IndicationFilter instance for the modification of OperationalStatus of an Extender Node computer system instance.
16.8.41 CIM_IndicationFilter (WQL Extender ComputerSystem OperationalStatus)	Conditional	Deprecated. Conditional requirement: Required if the Experimental Indication Profile is supported and the SNIA_IndicationConfigurationCapabilities.SupportedFeatures='3' (Predefined Filters). This is the WQL 'pre-defined' CIM_IndicationFilter instance for OperationalStatus changes of an Extender Node ComputerSystem instance.
16.8.42 CIM_LANEndpoint	Mandatory	The ProtocolEndpoint for the Ethernet port.
16.8.43 CIM_MemberOfCollection (Predefined Filter Collection to Extender Filters)	Conditional	Experimental. Conditional requirement: Required if the Experimental Indication Profile is supported and the SNIA_IndicationConfigurationCapabilities.SupportedFeatures='5' (Predefined Filter Collections). This associates the Extender predefined FilterCollection to the predefined Filters supported by the Extender.
16.8.44 CIM_Network	Mandatory	Network represents a network connectivity domain. It groups NetworkPipes.
16.8.45 CIM_NetworkPipe	Mandatory	NetworkPipe represents state, configuration of a connection between endpoints in the context of a Network.
16.8.46 CIM_NetworkPipeComposition	Mandatory	
16.8.47 CIM_ProtocolEndpoint	Mandatory	The ProtocolEndpoint representing the FCIP layer. ProtocolEndpoint shall be implemented when an ActiveConnection or NetworkPipe exists. It may be implemented if no ActiveConnection or NetworkPipe exists.
16.8.48 CIM_RemotePort	Optional	This class shall be implemented if the instrumentation is only able to support the FC Extender Node.
16.8.49 CIM_RemoteServiceAccessPoint	Optional	This class shall be implemented if the instrumentation is only able to support the FC Extender Node.
16.8.50 CIM_SystemDevice (System to EthernetPort)	Mandatory	Associated FCPort and EthernetPort to the ComputerSystem.
16.8.51 CIM_SystemDevice (System to FCPort)	Mandatory	Associated FCPort and EthernetPort to the ComputerSystem.
16.8.52 CIM_TCPEndpointStatistics	Mandatory	Opaque.
16.8.53 CIM_TCPProtocolEndpoint	Mandatory	
16.8.54 CIM_TCPSettings	Mandatory	Defines TCP settings for a group of TCPProtocolEndpoints which belongs to the ComputerSystem.
16.8.55 CIM_TCPStatisticalData	Mandatory	
SELECT * FROM CIM_InstCreation WHERE SourceInstance ISA CIM_ComputerSystem	Mandatory	Creation of a ComputerSystem instance. See section <i>Storage Management Technical Specification, Part 6 Fabric, 1.6.1 Rev 6</i> 16.8.38 CIM_IndicationFilter (Extender ComputerSystem Creation).

Table 216 - CIM Elements for Extender

Element Name	Requirement	Description
SELECT * FROM CIM_InstDeletion WHERE SourceInstance CIM_ComputerSystem	Mandatory	Deletion of a computer system instance. See section <i>Storage Management Technical Specification, Part 6 Fabric, 1.6.1 Rev 6</i> 16.8.39 CIM_IndicationFilter (Extender ComputerSystem Deletion).
SELECT * FROM CIM_InstModification WHERE SourceInstance ISA CIM_ComputerSystem AND SourceInstance.Operationalstatus <> PreviousInstance.Operationalstatus	Mandatory	Deprecated. Deprecated WQL - Change of OperationalStatus for a Computer System. See section <i>Storage Management Technical Specification, Part 6 Fabric, 1.6.1 Rev 6</i> 16.8.41 CIM_IndicationFilter (WQL Extender ComputerSystem OperationalStatus).
SELECT * FROM CIM_InstModification WHERE SourceInstance ISA CIM_ComputerSystem AND SourceInstance.CIM_ComputerSystem::Operationalstatus <> PreviousInstance.CIM_ComputerSystem::Operationalstatus	Mandatory	CQL -Change of OperationalStatus for a Computer System. See section <i>Storage Management Technical Specification, Part 6 Fabric, 1.6.1 Rev 6</i> 16.8.40 CIM_IndicationFilter (Extender ComputerSystem OperationalStatus).

16.8.1 CIM_BindsTo (IPPE to PE)

Created By: Static
 Modified By: Static
 Deleted By: Static
 Requirement: Mandatory

Table 217 describes class CIM_BindsTo (IPPE to PE).

Table 217 - SMI Referenced Properties/Methods for CIM_BindsTo (IPPE to PE)

Properties	Flags	Requirement	Description & Notes
Antecedent		Mandatory	
Dependent		Mandatory	

16.8.2 CIM_BindsTo (IPPE to RemoteSAP)

Created By: Static
 Modified By: Static
 Deleted By: Static
 Requirement: Mandatory

Table 218 describes class CIM_BindsTo (IPPE to RemoteSAP).

Table 218 - SMI Referenced Properties/Methods for CIM_BindsTo (IPPE to RemoteSAP)

Properties	Flags	Requirement	Description & Notes
Dependent		Mandatory	
Antecedent		Mandatory	

16.8.3 CIM_BindsTo (IPPE to RemoteSAP)

Created By: Static
 Modified By: Static
 Deleted By: Static
 Requirement: Mandatory

Table 219 describes class CIM_BindsTo (IPPE to RemoteSAP).

Table 219 - SMI Referenced Properties/Methods for CIM_BindsTo (IPPE to RemoteSAP)

Properties	Flags	Requirement	Description & Notes
Antecedent		Mandatory	
Dependent		Mandatory	

16.8.4 CIM_BindsTo (PE to RemotePort)

Created By: Static
 Modified By: Static
 Deleted By: Static
 Requirement: Mandatory

Table 220 describes class CIM_BindsTo (PE to RemotePort).

Table 220 - SMI Referenced Properties/Methods for CIM_BindsTo (PE to RemotePort)

Properties	Flags	Requirement	Description & Notes
Antecedent		Mandatory	
Dependent		Mandatory	

16.8.5 CIM_BindsTo (TCPPE to IPPE)

Created By: Static
 Modified By: Static
 Deleted By: Static
 Requirement: Mandatory

Table 221 describes class CIM_BindsTo (TCPPE to IPPE).

Table 221 - SMI Referenced Properties/Methods for CIM_BindsTo (TCPPE to IPPE)

Properties	Flags	Requirement	Description & Notes
Antecedent		Mandatory	
Dependent		Mandatory	

16.8.6 CIM_BindsTo (TCPPE to PE)

Created By: Static
 Modified By: Static
 Deleted By: Static
 Requirement: Mandatory

Table 222 describes class CIM_BindsTo (TCPPE to PE).

Table 222 - SMI Referenced Properties/Methods for CIM_BindsTo (TCPPE to PE)

Properties	Flags	Requirement	Description & Notes
Antecedent		Mandatory	
Dependent		Mandatory	

16.8.7 CIM_BindsTo (TCPPE to RemotePort)

Created By: Static
 Modified By: Static
 Deleted By: Static
 Requirement: Mandatory

Table 223 describes class CIM_BindsTo (TCPPE to RemotePort).

Table 223 - SMI Referenced Properties/Methods for CIM_BindsTo (TCPPE to RemotePort)

Properties	Flags	Requirement	Description & Notes
Antecedent		Mandatory	
Dependent		Mandatory	

16.8.8 CIM_Component

Created By: Static
 Modified By: Static
 Deleted By: Static
 Requirement: Mandatory

Table 224 describes class CIM_Component.

Table 224 - SMI Referenced Properties/Methods for CIM_Component

Properties	Flags	Requirement	Description & Notes
PartComponent		Mandatory	
GroupComponent		Mandatory	

16.8.9 CIM_ComputerSystem (Extender Node)

Created By: Static
 Modified By: Static
 Deleted By: Static
 Requirement: Mandatory

Shall be associated to RegisteredProfile using ElementConformsToProfile association. The RegisteredProfile instance shall have RegisteredName set to 'Extender', RegisteredOrganization set to 'SNIA', and RegisteredVersion set to '1.5.0'.

Table 225 describes class CIM_ComputerSystem (Extender Node).

Table 225 - SMI Referenced Properties/Methods for CIM_ComputerSystem (Extender Node)

Properties	Flags	Requirement	Description & Notes
CreationClassName		Mandatory	
Name		Mandatory	IP Address.
ElementName		Optional	User friendly name.
NameFormat		Mandatory	IP Address.
OtherIdentifyingInfo		Optional	DNS name.
OperationalStatus		Mandatory	Status of Computer System.
IdentifyingDescriptions		Optional	Fully qualified domain name.
Dedicated		Mandatory	ExtenderNode.

16.8.10 CIM_DeviceSAPImplementation

Created By: Static
 Modified By: Static
 Deleted By: Static
 Requirement: Mandatory

Table 226 describes class CIM_DeviceSAPImplementation.

Table 226 - SMI Referenced Properties/Methods for CIM_DeviceSAPImplementation

Properties	Flags	Requirement	Description & Notes
Dependent		Mandatory	
Antecedent		Mandatory	
Dependent		Mandatory	
Antecedent		Mandatory	

16.8.11 CIM_ElementSettingData (IPPE to IPSettings)

Created By: Static
 Modified By: Static
 Deleted By: Static
 Requirement: Mandatory

Table 227 describes class CIM_ElementSettingData (IPPE to IPSettings).

Table 227 - SMI Referenced Properties/Methods for CIM_ElementSettingData (IPPE to IPSettings)

Properties	Flags	Requirement	Description & Notes
IsDefault		Mandatory	
IsCurrent		Mandatory	
ManagedElement		Mandatory	
SettingData		Mandatory	

16.8.12 CIM_ElementSettingData (PE to FCIPSettings)

Created By: Static
 Modified By: Static
 Deleted By: Static
 Requirement: Mandatory

Table 228 describes class CIM_ElementSettingData (PE to FCIPSettings).

Table 228 - SMI Referenced Properties/Methods for CIM_ElementSettingData (PE to FCIPSettings)

Properties	Flags	Requirement	Description & Notes
IsDefault		Mandatory	
IsCurrent		Mandatory	
SettingData		Mandatory	
ManagedElement		Mandatory	

16.8.13 CIM_ElementSettingData (System to FCIPSettings)

Created By: Static
 Modified By: Static
 Deleted By: Static
 Requirement: Mandatory

Table 229 describes class CIM_ElementSettingData (System to FCIPSettings).

Table 229 - SMI Referenced Properties/Methods for CIM_ElementSettingData (System to FCIPSettings)

Properties	Flags	Requirement	Description & Notes
IsDefault		Mandatory	
IsCurrent		Mandatory	
SettingData		Mandatory	
ManagedElement		Mandatory	

16.8.14 CIM_ElementSettingData (System to IPSettings)

Created By: Static
 Modified By: Static
 Deleted By: Static
 Requirement: Mandatory

Table 230 describes class CIM_ElementSettingData (System to IPSettings).

Table 230 - SMI Referenced Properties/Methods for CIM_ElementSettingData (System to IPSettings)

Properties	Flags	Requirement	Description & Notes
IsDefault		Mandatory	
IsCurrent		Mandatory	
SettingData		Mandatory	
ManagedElement		Mandatory	

16.8.15 CIM_ElementSettingData (System to TCPSettings)

Created By: Static
 Modified By: Static
 Deleted By: Static
 Requirement: Mandatory

Table 231 describes class CIM_ElementSettingData (System to TCPSettings).

Table 231 - SMI Referenced Properties/Methods for CIM_ElementSettingData (System to TCPSettings)

Properties	Flags	Requirement	Description & Notes
IsDefault		Mandatory	
IsCurrent		Mandatory	
SettingData		Mandatory	
ManagedElement		Mandatory	

16.8.16 CIM_ElementSettingData (TCPPE to TCPSettings)

Created By: Static
 Modified By: Static
 Deleted By: Static
 Requirement: Mandatory

Table 232 describes class CIM_ElementSettingData (TCPPE to TCPSettings).

Table 232 - SMI Referenced Properties/Methods for CIM_ElementSettingData (TCPPE to TCPSettings)

Properties	Flags	Requirement	Description & Notes
IsDefault		Mandatory	
IsCurrent		Mandatory	
SettingData		Mandatory	
ManagedElement		Mandatory	

16.8.17 CIM_ElementStatisticalData (EthernetPort to EthernetPortStatistics)

Created By: Static
 Modified By: Static
 Deleted By: Static
 Requirement: Mandatory

Table 233 describes class CIM_ElementStatisticalData (EthernetPort to EthernetPortStatistics).

Table 233 - SMI Referenced Properties/Methods for CIM_ElementStatisticalData (EthernetPort to Ethernet-PortStatistics)

Properties	Flags	Requirement	Description & Notes
Stats		Mandatory	
ManagedElement		Mandatory	

16.8.18 CIM_ElementStatisticalData (FCPort to FCPortStatistics)

Created By: Static
 Modified By: Static
 Deleted By: Static
 Requirement: Mandatory

Table 234 describes class CIM_ElementStatisticalData (FCPort to FCPortStatistics).

Table 234 - SMI Referenced Properties/Methods for CIM_ElementStatisticalData (FCPort to FCPortStatistics)

Properties	Flags	Requirement	Description & Notes
Stats		Mandatory	
ManagedElement		Mandatory	

16.8.19 CIM_ElementStatisticalData (IPPE to IPEndpointStatistics)

Created By: Static
 Modified By: Static
 Deleted By: Static
 Requirement: Mandatory

Table 235 describes class CIM_ElementStatisticalData (IPPE to IPEndpointStatistics).

Table 235 - SMI Referenced Properties/Methods for CIM_ElementStatisticalData (IPPE to IPEndpointStatistics)

Properties	Flags	Requirement	Description & Notes
ManagedElement		Mandatory	
Stats		Mandatory	

16.8.20 CIM_ElementStatisticalData (System to TCPStatisticalData)

Created By: Static
 Modified By: Static
 Deleted By: Static
 Requirement: Mandatory

Table 236 describes class CIM_ElementStatisticalData (System to TCPStatisticalData).

Table 236 - SMI Referenced Properties/Methods for CIM_ElementStatisticalData (System to TCPStatisticalData)

Properties	Flags	Requirement	Description & Notes
ManagedElement		Mandatory	
Stats		Mandatory	

16.8.21 CIM_ElementStatisticalData (TCPPE to TCPEndpointStatistics)

Created By: Static
 Modified By: Static
 Deleted By: Static

Requirement: Mandatory

Table 237 describes class CIM_ElementStatisticalData (TCPPE to TCPEndpointStatistics).

Table 237 - SMI Referenced Properties/Methods for CIM_ElementStatisticalData (TCPPE to TCPEndpoint-Statistics)

Properties	Flags	Requirement	Description & Notes
ManagedElement		Mandatory	
Stats		Mandatory	

16.8.22 CIM_EndpointOfNetworkPipe (PE to NetworkPipe)

Created By: Static

Modified By: Static

Deleted By: Static

Requirement: Mandatory

Table 238 describes class CIM_EndpointOfNetworkPipe (PE to NetworkPipe).

Table 238 - SMI Referenced Properties/Methods for CIM_EndpointOfNetworkPipe (PE to NetworkPipe)

Properties	Flags	Requirement	Description & Notes
Dependent		Mandatory	
Antecedent		Mandatory	

16.8.23 CIM_EndpointOfNetworkPipe (TCPPE to NetworkPipe)

Created By: Static

Modified By: Static

Deleted By: Static

Requirement: Mandatory

Table 239 describes class CIM_EndpointOfNetworkPipe (TCPPE to NetworkPipe).

Table 239 - SMI Referenced Properties/Methods for CIM_EndpointOfNetworkPipe (TCPPE to NetworkPipe)

Properties	Flags	Requirement	Description & Notes
Dependent		Mandatory	
Antecedent		Mandatory	

16.8.24 CIM_EthernetPort

Created By: Static

Modified By: Static

Deleted By: Static
 Requirement: Mandatory

Table 240 describes class CIM_EthernetPort.

Table 240 - SMI Referenced Properties/Methods for CIM_EthernetPort

Properties	Flags	Requirement	Description & Notes
SystemCreationClassName		Mandatory	
SystemName		Mandatory	
CreationClassName		Mandatory	
DeviceID		Mandatory	
ElementName		Optional	User friendly name.
OperationalStatus		Mandatory	
Speed		Mandatory	
MaxSpeed		Mandatory	
PortType		Mandatory	Supported port mode 10BaseT,10-100BaseT, 100BaseT, 1000BaseT, etc.
PortNumber		Mandatory	System level port or bus identification number.
NetworkAddresses		Mandatory	MAC addresses.
LinkTechnology		Mandatory	Ethernet.

16.8.25CIM_EthernetPortStatistics

Created By: Static
 Modified By: Static
 Deleted By: Static
 Requirement: Mandatory

Table 241 describes class CIM_EthernetPortStatistics.

Table 241 - SMI Referenced Properties/Methods for CIM_EthernetPortStatistics

Properties	Flags	Requirement	Description & Notes
InstanceID		Mandatory	Opaque.
ElementName		Mandatory	
StatisticTime		Optional	
BytesTransmitted		Mandatory	
BytesReceived		Mandatory	
PacketsTransmitted		Mandatory	
PacketsReceived		Mandatory	
SymbolErrors		Mandatory	

Table 241 - SMI Referenced Properties/Methods for CIM_EthernetPortStatistics

Properties	Flags	Requirement	Description & Notes
AlignmentErrors		Optional	
FCSErrors		Optional	
SingleCollisionFrames		Optional	
MultipleCollisionFrames		Optional	
DeferredTransmissions		Optional	
LateCollisions		Optional	
ExcessiveCollisions		Optional	
InternalMACTransmitErrors		Optional	
InternalMACReceiveErrors		Optional	
CarrierSenseErrors		Mandatory	
FrameTooLongs		Optional	
ResetSelectedStats()		Optional	

16.8.26 CIM_FCIPSettings

Created By: Static
 Modified By: Static
 Deleted By: Static
 Requirement: Mandatory

Table 242 describes class CIM_FCIPSettings.

Table 242 - SMI Referenced Properties/Methods for CIM_FCIPSettings

Properties	Flags	Requirement	Description & Notes
InstanceID		Mandatory	Opaque.
ElementName		Optional	User friendly name. In addition, it can be used as a index property for a search or query.
ConnectionUsageFlags		Mandatory	
SpecialFrameTimeout		Mandatory	
KeepAliveTimeout		Mandatory	

16.8.27 CIM_FCPort

Created By: Static
 Modified By: Static
 Deleted By: Static
 Requirement: Mandatory

Table 243 describes class CIM_FCPort.

Table 243 - SMI Referenced Properties/Methods for CIM_FCPort

Properties	Flags	Requirement	Description & Notes
SystemCreationClassName		Mandatory	
SystemName		Mandatory	
CreationClassName		Mandatory	
DeviceID		Mandatory	
ElementName		Optional	User Friendly Name.
OperationalStatus		Mandatory	
Speed		Mandatory	Speed of zero represents a link not established 1Gb is 1062500000 bps 2Gb is 2125000000 bps 4Gb is 4250000000 bps 10Gb single channel variants are 10518750000 bps 10Gb four channel variants are 12750000000 bps This is the raw bit rate.
MaxSpeed		Mandatory	The max speed of the Port in Bits per Second using the same algorithm as Speed.
PortType		Mandatory	FC-GS Port.Type The specific mode currently enabled for the Port. The values: "N" = Node Port, "NL" = Node Port supporting FC arbitrated loop, "E" = Expansion Port connecting fabric elements (for example, FC switches), "F" = Fabric (element) Port, "FL" = Fabric (element) Port supporting FC arbitrated loop, and "B" = Bridge Port. PortTypes are defined in the ANSI INCITS FC-GS standards. When set to 1 ("Other"), the related property OtherPortType contains a string description of the port's type. PortType is defined to force consistent naming of the 'type' property in subclasses and to guarantee unique enum values for all instances of NetworkPort. A range of values, DMTF_Reserved, has been defined that allows subclasses to override and define their specific port types. Vendor Reserved = 16000..65535 can be used if the PortType is not one already defined in the above enumerations and a vendor subclass is defined specifying the appropriate 'value' and 'valuemap'.
PortNumber		Mandatory	System level port or bus identification number.
PermanentAddress		Mandatory	For FibreChannel, it is the Fibre Channel Port WWN.
LinkTechnology		Mandatory	"FC".
SupportedCOS		Mandatory	
ActiveCOS		Optional	
SupportedMaximumTransmissionUnit		Mandatory	
ActiveMaximumTransmissionUnit		Optional	

16.8.28CIM_FCPortStatistics

Created By: Static

Modified By: Static
 Deleted By: Static
 Requirement: Mandatory

Table 244 describes class CIM_FCPortStatistics.

Table 244 - SMI Referenced Properties/Methods for CIM_FCPortStatistics

Properties	Flags	Requirement	Description & Notes
InstanceID		Mandatory	Opaque.
ElementName		Optional	
StatisticTime		Mandatory	
BytesTransmitted		Mandatory	
BytesReceived		Mandatory	
PacketsTransmitted		Mandatory	
PacketsReceived		Mandatory	
CRCErrors		Mandatory	
LinkFailures		Mandatory	
PrimitiveSeqProtocolErrCo unt		Mandatory	
LossOfSignalCounter		Mandatory	
InvalidTransmissionWords		Mandatory	
SampleInterval		Mandatory	
LIPCount		Mandatory	
NOSCount		Mandatory	
ErrorFrames		Mandatory	
DumpedFrames		Mandatory	
LossOfSyncCounter		Mandatory	
FramesTooShort		Mandatory	
FramesTooLong		Mandatory	
AddressErrors		Mandatory	
BufferCreditNotProvided		Mandatory	
DelimiterErrors		Mandatory	
EncodingDisparityErrors		Mandatory	
LinkResetsReceived		Mandatory	
LinkResetsTransmitted		Mandatory	
MulticastFramesReceived		Mandatory	
MulticastFramesTransmitt ed		Mandatory	
RXBroadcastFrames		Mandatory	

Table 244 - SMI Referenced Properties/Methods for CIM_FCPortStatistics

Properties	Flags	Requirement	Description & Notes
TxBroadcastFrames		Mandatory	
FBSYFrames		Mandatory	
PBSYFrames		Mandatory	
FRJTFrames		Mandatory	
PRJTFrames		Mandatory	
RXClass1Frames		Mandatory	
TXClass1Frames		Mandatory	
RXClass2Frames		Mandatory	
TXClass2Frames		Mandatory	
Class2FBSY		Mandatory	
Class2PBSY		Mandatory	
Class2FRJT		Mandatory	
Class2PRJT		Mandatory	
RXClass3Frames		Mandatory	
TXClass3Frames		Mandatory	
Class3FramesDiscarded		Mandatory	
ResetSelectedStats()		Optional	

16.8.29 CIM_FilterCollection (Extender Predefined FilterCollection)

Experimental. This is a collection of predefined IndicationFilters to which a client may subscribe. An Extender implementation shall indicate support for predefined FilterCollections by the SNIA_IndicationConfigurationCapabilities.FeaturesSupported = '5' (Predefined Filter Collections).

Requirement: Required if the Experimental Indication Profile is supported and the SNIA_IndicationConfigurationCapabilities.SupportedFeatures='5' (Predefined Filter Collections).

Table 245 describes class CIM_FilterCollection (Extender Predefined FilterCollection).

Table 245 - SMI Referenced Properties/Methods for CIM_FilterCollection (Extender Predefined FilterCollection)

Properties	Flags	Requirement	Description & Notes
InstanceID		Mandatory	Shall specify the unique identifier for an instance of this class within the Implementation namespace.
CollectionName		Mandatory	The value of CollectionName shall be 'SNIA:Extender'.

16.8.30 CIM_HostedAccessPoint (ComputerSystem to IPProtocolEndpoint)

Created By: Static

Modified By: Static

Deleted By: Static

Requirement: Mandatory

Table 246 describes class CIM_HostedAccessPoint (ComputerSystem to IPProtocolEndpoint).

Table 246 - SMI Referenced Properties/Methods for CIM_HostedAccessPoint (ComputerSystem to IPProtocolEndpoint)

Properties	Flags	Requirement	Description & Notes
Dependent		Mandatory	
Antecedent		Mandatory	

16.8.31 CIM_HostedAccessPoint (ComputerSystem to TCPProtocolEndpoint)

Created By: Static

Modified By: Static

Deleted By: Static

Requirement: Mandatory

Table 247 describes class CIM_HostedAccessPoint (ComputerSystem to TCPProtocolEndpoint).

Table 247 - SMI Referenced Properties/Methods for CIM_HostedAccessPoint (ComputerSystem to TCP-ProtocolEndpoint)

Properties	Flags	Requirement	Description & Notes
Dependent		Mandatory	
Antecedent		Mandatory	

16.8.32 CIM_HostedAccessPoint (ComputerSystem to ProtocolEndpoint)

Created By: Static

Modified By: Static

Deleted By: Static

Requirement: Mandatory

Table 248 describes class CIM_HostedAccessPoint (ComputerSystem to ProtocolEndpoint).

Table 248 - SMI Referenced Properties/Methods for CIM_HostedAccessPoint (ComputerSystem to ProtocolEndpoint)

Properties	Flags	Requirement	Description & Notes
Dependent		Mandatory	
Antecedent		Mandatory	

16.8.33 CIM_HostedCollection (Extender to predefined FilterCollection)

Experimental.

Requirement: Required if the Experimental Indication Profile is supported and the SNIA_IndicationConfigurationCapabilities.SupportedFeatures='5' (Predefined Filter Collections).

Table 249 describes class CIM_HostedCollection (Extender to predefined FilterCollection).

Table 249 - SMI Referenced Properties/Methods for CIM_HostedCollection (Extender to predefined FilterCollection)

Properties	Flags	Requirement	Description & Notes
Dependent		Mandatory	Reference to the predefined FilterCollection for the Extender.
Antecedent		Mandatory	Reference to the Extender ComputerSystem.

16.8.34 CIM_HostedNetworkPipe

Created By: Static
 Modified By: Static
 Deleted By: Static
 Requirement: Mandatory

Table 250 describes class CIM_HostedNetworkPipe.

Table 250 - SMI Referenced Properties/Methods for CIM_HostedNetworkPipe

Properties	Flags	Requirement	Description & Notes
Dependent		Mandatory	
Antecedent		Mandatory	

16.8.35 CIM_IPEndpointStatistics

Created By: Static
 Modified By: Static
 Deleted By: Static
 Requirement: Mandatory

Table 251 describes class CIM_IPEndpointStatistics.

Table 251 - SMI Referenced Properties/Methods for CIM_IPEndpointStatistics

Properties	Flags	Requirement	Description & Notes
InstanceID		Mandatory	Opaque.
ElementName		Optional	User friendly name. In addition, it can be used as a index property for a search or query.
StatisticTime		Mandatory	
ReceivedPDUs		Mandatory	
ReceivedPDUHeaderErrors		Mandatory	

Table 251 - SMI Referenced Properties/Methods for CIM_IPEndpointStatistics

Properties	Flags	Requirement	Description & Notes
ReceivedPDUAddressErrors		Mandatory	
ReceivedPDUForwards		Mandatory	
ReceivedPDUUnknownProtocolErrors		Mandatory	
ReceivedPDUDiscards		Mandatory	
PDUDelivers		Mandatory	
SentPDUs		Mandatory	
SentPDUDiscards		Mandatory	
SentPDUNoRouteErrors		Mandatory	
ReassemblyRequired		Mandatory	
ReassembledPackets		Mandatory	
ReassemblyFailed		Mandatory	
Fragmentation		Mandatory	
FragmentationFails		Mandatory	
FragmentedPDUsCreates		Mandatory	
RouteEntriesDiscards		Mandatory	
ResetSelectedStats()		Optional	

16.8.36 CIM_IPProtocolEndpoint

Created By: Static

Modified By: Static

Deleted By: Static

Requirement: Mandatory

Table 252 describes class CIM_IPProtocolEndpoint.

Table 252 - SMI Referenced Properties/Methods for CIM_IPProtocolEndpoint

Properties	Flags	Requirement	Description & Notes
SystemCreationClassName		Mandatory	
SystemName		Mandatory	
CreationClassName		Mandatory	
Name		Mandatory	
NameFormat		Mandatory	
IPv4Address		Mandatory	
IPv6Address		Mandatory	
SubnetMask		Mandatory	

Table 252 - SMI Referenced Properties/Methods for CIM_IPProtocolEndpoint

Properties	Flags	Requirement	Description & Notes
PrefixLength		Optional	
ProtocollFType		Mandatory	IPv4, IPv6, IPv4/v6.

16.8.37 CIM_IPSettings

Created By: Static
 Modified By: Static
 Deleted By: Static
 Requirement: Mandatory

Table 253 describes class CIM_IPSettings.

Table 253 - SMI Referenced Properties/Methods for CIM_IPSettings

Properties	Flags	Requirement	Description & Notes
InstanceID		Mandatory	Opaque.
ElementName		Optional	User friendly name. In addition, it can be used as a index property for a search or query.
FragmentationTimeout		Mandatory	
EnableIPForwarding		Mandatory	

16.8.38 CIM_IndicationFilter (Extender ComputerSystem Creation)

Experimental. This is the 'pre-defined' CIM_IndicationFilter instance for the addition of a new Extender Node computer system instance. This would represent the addition of an Extender Node computer system. This is a special case of the CIM_IndicationFilter (pre-defined) class as defined in the Indication Profile.

Created By: Static
 Modified By: Static
 Deleted By: Static
 Requirement: Required if the Experimental Indication Profile is supported and the SNIA_IndicationConfigurationCapabilities.SupportedFeatures='3' (Predefined Filters).

Table 254 describes class CIM_IndicationFilter (Extender ComputerSystem Creation).

Table 254 - SMI Referenced Properties/Methods for CIM_IndicationFilter (Extender ComputerSystem Creation)

Properties	Flags	Requirement	Description & Notes
SystemCreationClassName		Mandatory	See the SystemCreationClassName definition in section <i>Storage Management Technical Specification, Part 3 Common Profiles, 1.6.1 Rev 6 42.8.3 CIM_IndicationFilter</i> (pre-defined).
CreationClassName		Mandatory	See the CreationClassName definition in section <i>Storage Management Technical Specification, Part 3 Common Profiles, 1.6.1 Rev 6 42.8.3 CIM_IndicationFilter</i> (pre-defined).

Table 254 - SMI Referenced Properties/Methods for CIM_IndicationFilter (Extender ComputerSystem Creation)

Properties	Flags	Requirement	Description & Notes
SystemName		Mandatory	See the SystemName definition in section <i>Storage Management Technical Specification, Part 3 Common Profiles, 1.6.1 Rev 6 42.8.3 CIM_IndicationFilter</i> (pre-defined).
Name		Mandatory	This shall be 'SNIA:Extender:ComputerSystemCreation'.
SourceNamespace	N	Optional	Deprecated. See the SourceNamespace definition in section <i>Storage Management Technical Specification, Part 3 Common Profiles, 1.6.1 Rev 6 42.8.3 CIM_IndicationFilter</i> (pre-defined).
SourceNamespaces	N	Mandatory	Experimental. See the SourceNamespaces definition in section <i>Storage Management Technical Specification, Part 3 Common Profiles, 1.6.1 Rev 6 42.8.3 CIM_IndicationFilter</i> (pre-defined).
Query		Mandatory	SELECT * FROM CIM_InstCreation WHERE SourceInstance ISA CIM_ComputerSystem.
QueryLanguage		Mandatory	This should be 'DMTF:CQL' for CQL queries, but may be 'WQL' or 'SMI-S V1.0'. WQL and SMI-S V1.0 are deprecated in favor of 'DMTF:CQL'.
ElementName	N	Optional	See the ElementName definition in section <i>Storage Management Technical Specification, Part 3 Common Profiles, 1.6.1 Rev 6 42.8.3 CIM_IndicationFilter</i> (pre-defined).

16.8.39 CIM_IndicationFilter (Extender ComputerSystem Deletion)

Experimental. This is the 'pre-defined' CIM_IndicationFilter instance for the removal of an Extender Node computer system instance. This would represent the removal of an Extender Node computer system. This is a special case of the CIM_IndicationFilter (pre-defined) class as defined in the Indication Profile.

Created By: Static

Modified By: Static

Deleted By: Static

Requirement: Required if the Experimental Indication Profile is supported and the SNIA_IndicationConfigurationCapabilities.SupportedFeatures='3' (Predefined Filters).

Table 255 describes class CIM_IndicationFilter (Extender ComputerSystem Deletion).

Table 255 - SMI Referenced Properties/Methods for CIM_IndicationFilter (Extender ComputerSystem Deletion)

Properties	Flags	Requirement	Description & Notes
SystemCreationClassName		Mandatory	See the SystemCreationClassName definition in section <i>Storage Management Technical Specification, Part 3 Common Profiles, 1.6.1 Rev 6 42.8.3 CIM_IndicationFilter</i> (pre-defined).
CreationClassName		Mandatory	See the CreationClassName definition in section <i>Storage Management Technical Specification, Part 3 Common Profiles, 1.6.1 Rev 6 42.8.3 CIM_IndicationFilter</i> (pre-defined).
SystemName		Mandatory	See the SystemName definition in section <i>Storage Management Technical Specification, Part 3 Common Profiles, 1.6.1 Rev 6 42.8.3 CIM_IndicationFilter</i> (pre-defined).

Table 255 - SMI Referenced Properties/Methods for CIM_IndicationFilter (Extender ComputerSystem Deletion)

Properties	Flags	Requirement	Description & Notes
Name		Mandatory	This shall be 'SNIA:Extender:ComputerSystemDeletion'.
SourceNamespace	N	Optional	Deprecated. See the SourceNamespace definition in section <i>Storage Management Technical Specification, Part 3 Common Profiles, 1.6.1 Rev 6 42.8.3 CIM_IndicationFilter</i> (pre-defined).
SourceNamespaces	N	Mandatory	Experimental. See the SourceNamespaces definition in section <i>Storage Management Technical Specification, Part 3 Common Profiles, 1.6.1 Rev 6 42.8.3 CIM_IndicationFilter</i> (pre-defined).
Query		Mandatory	SELECT * FROM CIM_InstDeletion WHERE SourceInstance CIM_ComputerSystem.
QueryLanguage		Mandatory	This should be 'DMTF:CQL' for CQL queries, but may be 'WQL' or 'SMI-S V1.0'. WQL and SMI-S V1.0 are deprecated in favor of 'DMTF:CQL'.
ElementName	N	Optional	See the ElementName definition in section <i>Storage Management Technical Specification, Part 3 Common Profiles, 1.6.1 Rev 6 42.8.3 CIM_IndicationFilter</i> (pre-defined).

16.8.40 CIM_IndicationFilter (Extender ComputerSystem OperationalStatus)

Experimental. This is the 'pre-defined' CIM_IndicationFilter instance for the change of OperationalStatus of an Extender Node ComputerSystem instance. This would represent the status change to an Extender Node computer system. This is a special case of the CIM_IndicationFilter (pre-defined) class as defined in the Indication Profile.

Created By: Static

Modified By: Static

Deleted By: Static

Requirement: Required if the Experimental Indication Profile is supported and the SNIA_IndicationConfigurationCapabilities.SupportedFeatures='3' (Predefined Filters).

Table 256 describes class CIM_IndicationFilter (Extender ComputerSystem OperationalStatus).

Table 256 - SMI Referenced Properties/Methods for CIM_IndicationFilter (Extender ComputerSystem OperationalStatus)

Properties	Flags	Requirement	Description & Notes
SystemCreationClassName		Mandatory	See the SystemCreationClassName definition in section <i>Storage Management Technical Specification, Part 3 Common Profiles, 1.6.1 Rev 6 42.8.3 CIM_IndicationFilter</i> (pre-defined).
CreationClassName		Mandatory	See the CreationClassName definition in section <i>Storage Management Technical Specification, Part 3 Common Profiles, 1.6.1 Rev 6 42.8.3 CIM_IndicationFilter</i> (pre-defined).
SystemName		Mandatory	See the SystemName definition in section <i>Storage Management Technical Specification, Part 3 Common Profiles, 1.6.1 Rev 6 42.8.3 CIM_IndicationFilter</i> (pre-defined).

Table 256 - SMI Referenced Properties/Methods for CIM_IndicationFilter (Extender ComputerSystem OperationalStatus)

Properties	Flags	Requirement	Description & Notes
Name		Mandatory	This shall be 'SNIA:Extender:ComputerSystemOperationalStatus'.
SourceNamespace	N	Optional	Deprecated. See the SourceNamespace definition in section <i>Storage Management Technical Specification, Part 3 Common Profiles, 1.6.1 Rev 6 42.8.3 CIM_IndicationFilter</i> (pre-defined).
SourceNamespaces	N	Mandatory	Experimental. See the SourceNamespaces definition in section <i>Storage Management Technical Specification, Part 3 Common Profiles, 1.6.1 Rev 6 42.8.3 CIM_IndicationFilter</i> (pre-defined).
Query		Mandatory	SELECT * FROM CIM_InstModification WHERE SourceInstance ISA CIM_ComputerSystem AND SourceInstance.CIM_ComputerSystem::Operationalstatus <> PreviousInstance.CIM_ComputerSystem::OperationalStatus.
QueryLanguage		Mandatory	This shall be 'DMTF:CQL' for CQL queries.
ElementName	N	Optional	See the ElementName definition in section <i>Storage Management Technical Specification, Part 3 Common Profiles, 1.6.1 Rev 6 42.8.3 CIM_IndicationFilter</i> (pre-defined).

16.8.41 CIM_IndicationFilter (WQL Extender ComputerSystem OperationalStatus)

Deprecated. This is the WQL 'pre-defined' CIM_IndicationFilter instance for OperationalStatus changes of an Extender Node computer system instance. This would represent the OperationalStatus changes of an Extender Node computer system. This is a special case of the CIM_IndicationFilter (pre-defined) class as defined in the Indication Profile.

Created By: Static

Modified By: Static

Deleted By: Static

Requirement: Required if the Experimental Indication Profile is supported and the SNIA_IndicationConfigurationCapabilities.SupportedFeatures='3' (Predefined Filters).

Table 257 describes class CIM_IndicationFilter (WQL Extender ComputerSystem OperationalStatus).

Table 257 - SMI Referenced Properties/Methods for CIM_IndicationFilter (WQL Extender ComputerSystem OperationalStatus)

Properties	Flags	Requirement	Description & Notes
SystemCreationClassName		Mandatory	See the SystemCreationClassName definition in section <i>Storage Management Technical Specification, Part 3 Common Profiles, 1.6.1 Rev 6 42.8.3 CIM_IndicationFilter</i> (pre-defined).
CreationClassName		Mandatory	See the CreationClassName definition in section <i>Storage Management Technical Specification, Part 3 Common Profiles, 1.6.1 Rev 6 42.8.3 CIM_IndicationFilter</i> (pre-defined).
SystemName		Mandatory	See the SystemName definition in section <i>Storage Management Technical Specification, Part 3 Common Profiles, 1.6.1 Rev 6 42.8.3 CIM_IndicationFilter</i> (pre-defined).
Name		Mandatory	This shall be 'SNIA:Extender:ComputerSystemOperationalStatusWQL'.

Table 257 - SMI Referenced Properties/Methods for CIM_IndicationFilter (WQL Extender ComputerSystem OperationalStatus)

Properties	Flags	Requirement	Description & Notes
SourceNamespace	N	Optional	Deprecated. See the SourceNamespace definition in section <i>Storage Management Technical Specification, Part 3 Common Profiles, 1.6.1 Rev 6 42.8.3 CIM_IndicationFilter</i> (pre-defined).
SourceNamespaces	N	Mandatory	Experimental. See the SourceNamespaces definition in section <i>Storage Management Technical Specification, Part 3 Common Profiles, 1.6.1 Rev 6 42.8.3 CIM_IndicationFilter</i> (pre-defined).
Query		Mandatory	SELECT * FROM CIM_InstModification WHERE SourceInstance ISA CIM_ComputerSystem AND SourceInstance.Operationalstatus <> PreviousInstance.OperationalStatus.
QueryLanguage		Mandatory	This shall be 'WQL' or 'SMI-S V1.0'.
ElementName	N	Optional	See the ElementName definition in section <i>Storage Management Technical Specification, Part 3 Common Profiles, 1.6.1 Rev 6 42.8.3 CIM_IndicationFilter</i> (pre-defined).

16.8.42 CIM_LANEndpoint

Created By: Static
 Modified By: Static
 Deleted By: Static
 Requirement: Mandatory

Table 258 describes class CIM_LANEndpoint.

Table 258 - SMI Referenced Properties/Methods for CIM_LANEndpoint

Properties	Flags	Requirement	Description & Notes
SystemCreationClassName		Mandatory	
SystemName		Mandatory	
CreationClassName		Mandatory	
Name		Mandatory	
NameFormat		Mandatory	
ProtocolIFType		Mandatory	Fibrechannel, Fcjp.

16.8.43 CIM_MemberOfCollection (Predefined Filter Collection to Extender Filters)

Experimental. This associates the Extender predefined FilterCollection to the predefined Filters supported by the Extender.

Requirement: Required if the Experimental Indication Profile is supported and the SNIA_IndicationConfigurationCapabilities.SupportedFeatures='5' (Predefined Filter Collections).

Table 259 describes class CIM_MemberOfCollection (Predefined Filter Collection to Extender Filters).

Table 259 - SMI Referenced Properties/Methods for CIM_MemberOfCollection (Predefined Filter Collection to Extender Filters)

Properties	Flags	Requirement	Description & Notes
Collection		Mandatory	Reference to the Extender predefined FilterCollection.
Member		Mandatory	Reference to the predefined IndicationFilters of the Extender.

16.8.44 CIM_Network

Created By: Static
 Modified By: Static
 Deleted By: Static
 Requirement: Mandatory

Table 260 describes class CIM_Network.

Table 260 - SMI Referenced Properties/Methods for CIM_Network

Properties	Flags	Requirement	Description & Notes
CreationClassName		Mandatory	
Name		Mandatory	IP Address.
NameFormat		Mandatory	IP Address.

16.8.45 CIM_NetworkPipe

Created By: Static
 Modified By: Static
 Deleted By: Static
 Requirement: Mandatory

Table 261 describes class CIM_NetworkPipe.

Table 261 - SMI Referenced Properties/Methods for CIM_NetworkPipe

Properties	Flags	Requirement	Description & Notes
InstanceID		Mandatory	
Directionality		Optional	
OperationalStatus		Optional	
AggregationBehavior		Optional	
EnabledState		Optional	
RequestedState		Optional	

16.8.46 CIM_NetworkPipeComposition

Created By: Static
 Modified By: Static
 Deleted By: Static
 Requirement: Mandatory

Table 262 describes class CIM_NetworkPipeComposition.

Table 262 - SMI Referenced Properties/Methods for CIM_NetworkPipeComposition

Properties	Flags	Requirement	Description & Notes
AggregationSequence		Mandatory	
GroupComponent		Mandatory	
PartComponent		Mandatory	

16.8.47 CIM_ProtocolEndpoint

Created By: Static
 Modified By: Static
 Deleted By: Static
 Requirement: Mandatory

Table 263 describes class CIM_ProtocolEndpoint.

Table 263 - SMI Referenced Properties/Methods for CIM_ProtocolEndpoint

Properties	Flags	Requirement	Description & Notes
SystemCreationClassName		Mandatory	
SystemName		Mandatory	
CreationClassName		Mandatory	
Name		Mandatory	
NameFormat		Mandatory	
ProtocolIFType		Mandatory	Fibrechannel, Fcip.

16.8.48 CIM_RemotePort

Created By: Static
 Modified By: Static
 Deleted By: Static
 Requirement: Optional

Table 264 describes class CIM_RemotePort.

Table 264 - SMI Referenced Properties/Methods for CIM_RemotePort

Properties	Flags	Requirement	Description & Notes
SystemName		Mandatory	
CreationClassName		Mandatory	
Name		Mandatory	Opaque.
AccessInfo		Mandatory	
InfoFormat		Mandatory	
OtherInfoFormatDescription		Mandatory	WWN.
PortInfo		Optional	WWN or TCP port number.
PortProtocol		Mandatory	
OtherProtocolDescription		Mandatory	

16.8.49 CIM_RemoteServiceAccessPoint

Created By: Static

Modified By: Static

Deleted By: Static

Requirement: Optional

Table 265 describes class CIM_RemoteServiceAccessPoint.

Table 265 - SMI Referenced Properties/Methods for CIM_RemoteServiceAccessPoint

Properties	Flags	Requirement	Description & Notes
SystemCreationClassName		Mandatory	
SystemName		Mandatory	
CreationClassName		Mandatory	
Name		Mandatory	
AccessInfo		Mandatory	
InfoFormat		Mandatory	IPv4 Address OR IPv6 Address.
OtherInfoFormatDescription		Optional	

16.8.50 CIM_SystemDevice (System to EthernetPort)

Created By: Static

Modified By: Static

Deleted By: Static

Requirement: Mandatory

Table 266 describes class CIM_SystemDevice (System to EthernetPort).

Table 266 - SMI Referenced Properties/Methods for CIM_SystemDevice (System to EthernetPort)

Properties	Flags	Requirement	Description & Notes
PartComponent		Mandatory	
GroupComponent		Mandatory	

16.8.51 CIM_SystemDevice (System to FCPort)

Created By: Static
 Modified By: Static
 Deleted By: Static
 Requirement: Mandatory

Table 267 describes class CIM_SystemDevice (System to FCPort).

Table 267 - SMI Referenced Properties/Methods for CIM_SystemDevice (System to FCPort)

Properties	Flags	Requirement	Description & Notes
PartComponent		Mandatory	
GroupComponent		Mandatory	

16.8.52 CIM_TCPEndpointStatistics

Created By: Static
 Modified By: Static
 Deleted By: Static
 Requirement: Mandatory

Table 268 describes class CIM_TCPEndpointStatistics.

Table 268 - SMI Referenced Properties/Methods for CIM_TCPEndpointStatistics

Properties	Flags	Requirement	Description & Notes
InstanceID		Mandatory	
ElementName		Optional	User friendly name. In addition, it can be used as a index property for a search or query.
StatisticTime		Mandatory	
ReceivedSegmentsInError		Mandatory	
SentResetSegments		Mandatory	
ResetSelectedStats()		Optional	

16.8.53 CIM_TCPProtocolEndpoint

Created By: Static
 Modified By: Static
 Deleted By: Static
 Requirement: Mandatory

Table 269 describes class CIM_TCPProtocolEndpoint.

Table 269 - SMI Referenced Properties/Methods for CIM_TCPProtocolEndpoint

Properties	Flags	Requirement	Description & Notes
SystemCreationClassName		Mandatory	
SystemName		Mandatory	
CreationClassName		Mandatory	
Name		Mandatory	
NameFormat		Optional	
PortNumber		Optional	
ProtocolFType		Mandatory	

16.8.54 CIM_TCPSettings

Created By: Static
 Modified By: Static
 Deleted By: Static
 Requirement: Mandatory

Table 270 describes class CIM_TCPSettings.

Table 270 - SMI Referenced Properties/Methods for CIM_TCPSettings

Properties	Flags	Requirement	Description & Notes
InstanceID		Mandatory	Opaque.
ElementName		Optional	User friendly name. In addition, it can be used as a index property for a search or query.
RetransmissionTimeoutAlgorithm		Mandatory	
RetransmissionTimeoutMin		Mandatory	
RetransmissionTimeoutMax		Mandatory	

16.8.55 CIM_TCPStatisticalData

Created By: Static
 Modified By: Static
 Deleted By: Static
 Requirement: Mandatory

Table 271 describes class CIM_TCPStatisticalData.

Table 271 - SMI Referenced Properties/Methods for CIM_TCPStatisticalData

Properties	Flags	Requirement	Description & Notes
InstanceID		Mandatory	Opaque.
ElementName		Optional	User Friendly Name.
StatisticTime		Mandatory	
ActiveOpenConnections		Mandatory	
PassiveOpenConnections		Mandatory	
AttemptsFails		Mandatory	
EstablishedResets		Mandatory	
EstablishedConnections		Mandatory	
ReceivedSegments		Mandatory	
SentSegments		Mandatory	
RetransmittedSegments		Mandatory	
ReceivedSegmentsInError		Mandatory	
SentResetSegments		Mandatory	
ResetSelectedStats()		Mandatory	

EXPERIMENTAL

DEPRECATED

17 Router Profile

The functionality of the Router Profile (Section 7.3.4.3 of SMI-S 1.0.2) modeled FC/SCSI routers used in some tape libraries. Similar functionality is included in the Storage Media Library Profile (see *Storage Management Technical Specification, Part 8 Media Libraries, 1.6.1 Rev 6 4 Storage Library Profile*).

DEPRECATED

EXPERIMENTAL

18 SAS Expander Profile

18.1 Description

The SAS Expander Profile models a single SAS expander. An expander can be standalone or a component of a larger system. The model provides connectivity information, port performance and configuration, as well as simple active comments to modify the state of a port.

The profile may also include enclosures, software, and software component profiles.

Figure 33 is a simplified instance diagram of a SAS expander.

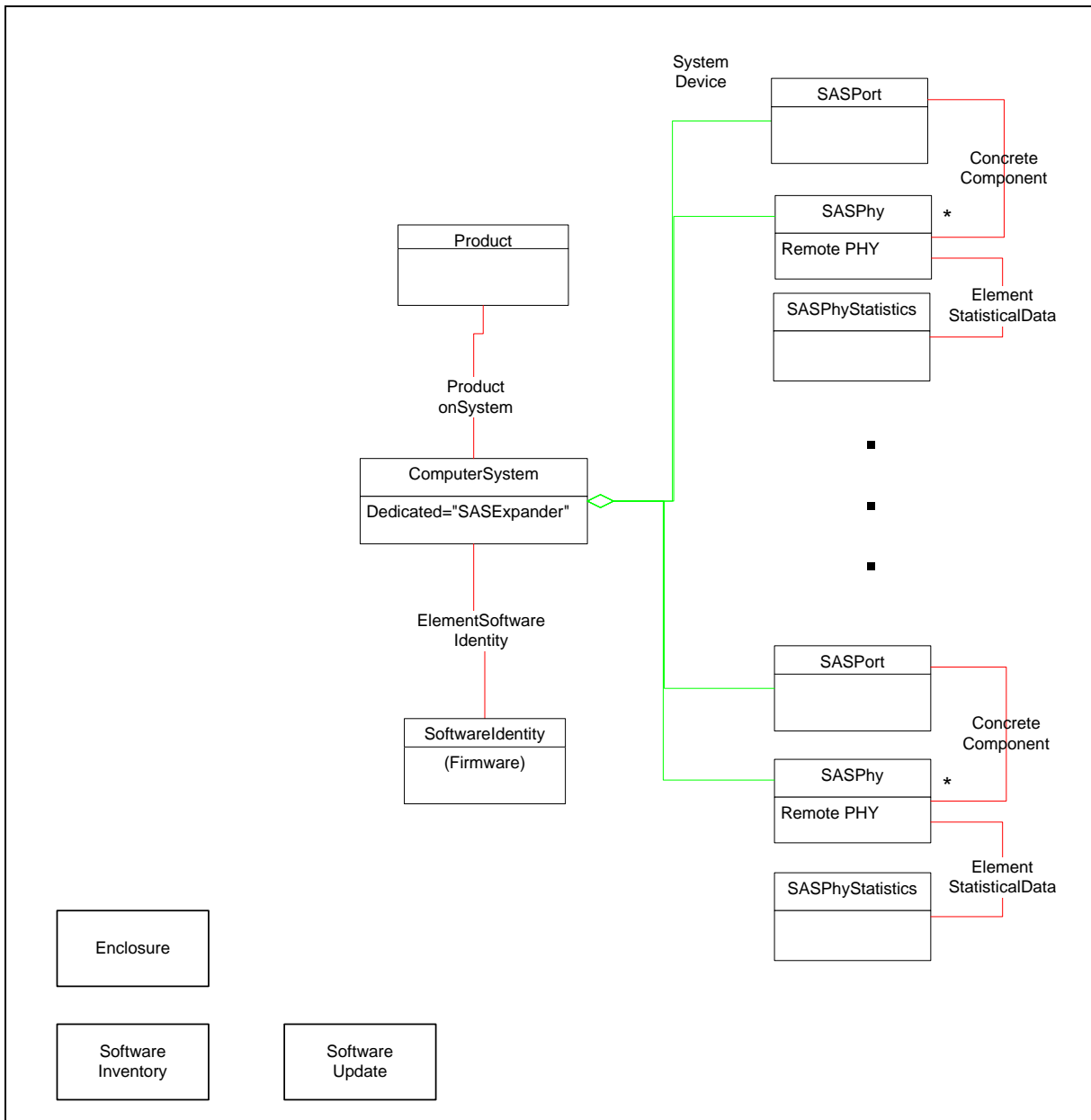


Figure 33 - SAS Expander Instance Diagram

The SAS expander starts with a ComputerSystem object with a dedicated value of “SAS Expander”. This object scopes the rest of the profile. Connected to the ComputerSystem object is a Product object and a Software Identity object. These objects provide asset information about the expander. The Computer system is connected to a series of SAS ports. Each port is represented by a SNIA_SASPort object, a SNIA_SASPhy object, and a SNIA_SASPhyStatistics object. Together they provide configuration, connectivity and port status information.

18.2 Health and Fault Management Consideration

18.3 Cascading Considerations

None

18.4 Supported Profiles, Subprofiles, and Packages

Table 272 describes the supported profiles for SAS Expander.

Table 272 - Supported Profiles for SAS Expander

Profile Name	Organization	Version	Requirement	Description
Storage Enclosure	SNIA	1.3.0	Optional	Experimental.
Software Inventory	SNIA	1.0.0	Optional	Experimental.
Software Update	DMTF	1.0.0	Optional	
Launch In Context	DMTF	1.0.0	Optional	Experimental. See DSP1102, version 1.0.0

18.4.1 Enclosure

18.4.2 Software Inventory and Software Update

18.5 Methods of the Profile

None

18.6 Client Considerations and Recipes

None

18.7 CIM Elements

18.8 Registered Name and Version

SAS Expander version 1.4.0 (Autonomous Profile)

18.9 CIM Elements

Table 273 describes the CIM elements for SAS Expander.

Table 273 - CIM Elements for SAS Expander

Element Name	Requirement	Description
18.9.1 CIM_ComputerSystem	Mandatory	'Top level' system that scopes the SAS Expander. Associated to RegisteredProfile.
18.9.2 CIM_ConcreteComponent	Mandatory	This association links SAS Phys to the SAS Port.
18.9.3 CIM_ElementSoftwareIdentity	Mandatory	This association links SoftwareIdentity to the scoping system.
18.9.4 CIM_Product	Mandatory	Asset information.
18.9.5 CIM_ProductElementComponent	Mandatory	This association links Product to the scoping system.
18.9.6 CIM_SASPort	Mandatory	A SAS Logical Port.
18.9.7 CIM_SoftwareIdentity	Mandatory	Software information.
18.9.8 CIM_SystemDevice (Port)	Mandatory	This association links SAS Port to the scoping system.
18.9.9 CIM_SystemDevice (SASPHY)	Mandatory	This association links SASPHY to the scoping system.
18.9.10 SNIA_SASPHY	Mandatory	A SAS Phy.

18.9.1 CIM_ComputerSystem

Created By: Static

Modified By: Static

Deleted By: Static

Requirement: Mandatory

Shall be associated to RegisteredProfile using ElementConformsToProfile association. The RegisteredProfile instance shall have RegisteredName set to 'SAS Expander', RegisteredOrganization set to 'SNIA', and RegisteredVersion set to '1.4.0'.

Table 274 describes class CIM_ComputerSystem.

Table 274 - SMI Referenced Properties/Methods for CIM_ComputerSystem

Properties	Flags	Requirement	Description & Notes
CreationClassName		Mandatory	
Name		Mandatory	Unique identifier for the expander. Eg SAS address.
ElementName		Mandatory	User friendly name.
IdentifyingDescriptions	C	Mandatory	
OperationalStatus		Mandatory	Overall status of the expander.
NameFormat		Mandatory	Format for Name property.
Dedicated		Mandatory	Indicates that this computer system is dedicated to operation as a SAS expander.

Table 274 - SMI Referenced Properties/Methods for CIM_ComputerSystem

Properties	Flags	Requirement	Description & Notes
PrimaryOwnerContact	M	Optional	Contact a details for owner.
PrimaryOwnerName	M	Optional	Owner of the expander.

18.9.2 CIM_ConcreteComponent

Created By: Static

Modified By: Static

Deleted By: Static

Requirement: Mandatory

Table 275 describes class CIM_ConcreteComponent.

Table 275 - SMI Referenced Properties/Methods for CIM_ConcreteComponent

Properties	Flags	Requirement	Description & Notes
PartComponent		Mandatory	
GroupComponent		Mandatory	

18.9.3 CIM_ElementSoftwareIdentity

Created By: Static

Modified By: Static

Deleted By: Static

Requirement: Mandatory

Table 276 describes class CIM_ElementSoftwareIdentity.

Table 276 - SMI Referenced Properties/Methods for CIM_ElementSoftwareIdentity

Properties	Flags	Requirement	Description & Notes
Antecedent		Mandatory	
Dependent		Mandatory	

18.9.4 CIM_Product

Created By: Static

Modified By: Static

Deleted By: Static

Requirement: Mandatory

Table 277 describes class CIM_Product.

Table 277 - SMI Referenced Properties/Methods for CIM_Product

Properties	Flags	Requirement	Description & Notes
ElementName		Mandatory	
Name		Mandatory	
IdentifyingNumber		Mandatory	
Vendor		Mandatory	
Version		Mandatory	

18.9.5 CIM_ProductElementComponent

Created By: Static

Modified By: Static

Deleted By: Static

Requirement: Mandatory

Table 278 describes class CIM_ProductElementComponent.

Table 278 - SMI Referenced Properties/Methods for CIM_ProductElementComponent

Properties	Flags	Requirement	Description & Notes
GroupComponent		Mandatory	
PartComponent		Mandatory	

18.9.6 CIM_SASPort

Created By: Static

Modified By: Static

Deleted By: Static

Requirement: Mandatory

Table 279 describes class CIM_SASPort.

Table 279 - SMI Referenced Properties/Methods for CIM_SASPort

Properties	Flags	Requirement	Description & Notes
SystemCreationClassName		Mandatory	
SystemName		Mandatory	
CreationClassName		Mandatory	
DeviceID		Mandatory	Opaque identifier.
ElementName		Mandatory	User-friendly name.

Table 279 - SMI Referenced Properties/Methods for CIM_SASPort

Properties	Flags	Requirement	Description & Notes
Name		Mandatory	
OperationalStatus		Mandatory	

18.9.7 CIM_SoftwareIdentity

Created By: Static

Modified By: Static

Deleted By: Static

Requirement: Mandatory

Table 280 describes class CIM_SoftwareIdentity.

Table 280 - SMI Referenced Properties/Methods for CIM_SoftwareIdentity

Properties	Flags	Requirement	Description & Notes
InstanceID		Mandatory	
IsEntity		Mandatory	
VersionString		Optional	
BuildNumber		Optional	
MajorVersion		Optional	
MinorVersion		Optional	
RevisionNumber		Optional	
TargetOSTypes		Optional	

18.9.8 CIM_SystemDevice (Port)

Created By: Static

Modified By: Static

Deleted By: Static

Requirement: Mandatory

Table 281 describes class CIM_SystemDevice (Port).

Table 281 - SMI Referenced Properties/Methods for CIM_SystemDevice (Port)

Properties	Flags	Requirement	Description & Notes
PartComponent		Mandatory	
GroupComponent		Mandatory	

18.9.9 CIM_SystemDevice (SASPHY)

Created By: Static
 Modified By: Static
 Deleted By: Static
 Requirement: Mandatory

Table 282 describes class CIM_SystemDevice (SASPHY).

Table 282 - SMI Referenced Properties/Methods for CIM_SystemDevice (SASPHY)

Properties	Flags	Requirement	Description & Notes
PartComponent		Mandatory	
GroupComponent		Mandatory	

18.9.10SNIA_SASPHY

Created By: Static
 Modified By: Static
 Deleted By: Static
 Requirement: Mandatory

Table 283 describes class SNIA_SASPHY.

Table 283 - SMI Referenced Properties/Methods for SNIA_SASPHY

Properties	Flags	Requirement	Description & Notes
SystemCreationClassName		Mandatory	
SystemName		Mandatory	
CreationClassName		Mandatory	
DeviceID		Mandatory	Opaque identifier.
ElementName		Mandatory	User-friendly name.
Name		Mandatory	
OperationalStatus		Mandatory	
HardwareMinimumPhysicalLinkRate		Mandatory	
HardwareMaximumPhysicalLinkRate		Mandatory	
ProgrammedMinimumPhysicalLinkRate		Mandatory	
ProgrammedMaximumPhysicalLinkRate		Mandatory	
NegotiatedPhysicalLinkRate		Mandatory	

EXPERIMENTAL

EXPERIMENTAL

19 N Port Virtualizer Profile

19.1 Description

The N Port Virtualizer Profile is a component profile of the Fabric Profile that adds additional classes and places requirements on the FCPort class of the Fabric Profile.

19.2 Implementation

Figure 34 illustrates the main elements in modeling of an N Port Virtualizer.

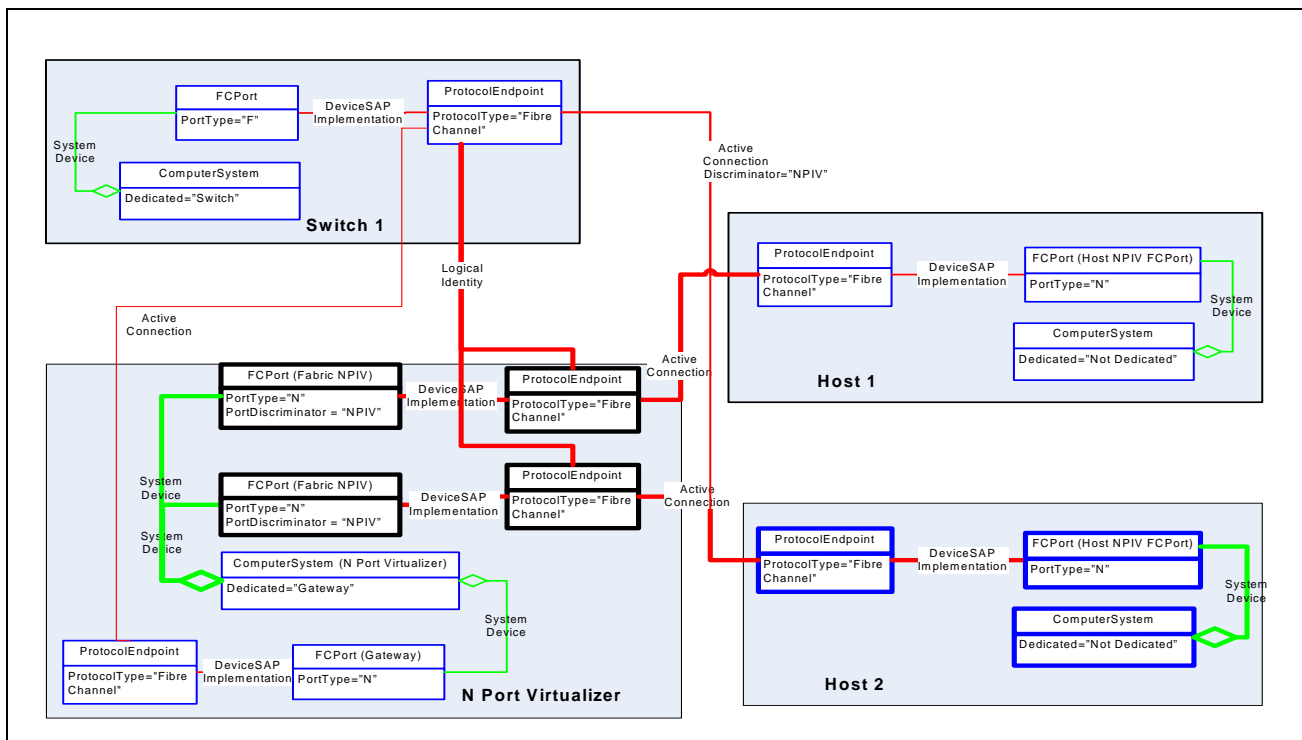


Figure 34 - N Port Virtualizer

Figure 34 shows elements in the Fabric Profile as they relate to the elements of the N Port Virtualizer Profile. The classes of the N Port Virtualizer are in the lower left box with association to class instances in the Fabric Profile. The key elements of the N Port Virtualizer are:

- An N Port Virtualizer ComputerSystem (with a Dedicated property of “Gateway”)
- FCPorts with an PortDiscriminator property of “NPIV”
- One (or more) FCPorts for connecting the N Port Virtualizer system to the Switch system
- ProtocolEndpoints for all the FCPorts in the N Port Virtualizer
- All the FCPorts in the N Port Virtualizer are scoped to the N Port Virtualizer ComputerSystem
- ActiveConnection associations between the ProtocolEndpoints in Platform ComputerSystems (of Fabric) and the ProtocolEndpoints for the NPIV FCPorts in the N Port Virtualizer

The ActiveConnections essentially represent connections between host system ports and the NPIV ports of the N Port Virtualizer (similar to going to switch ports when the N Port Virtualizer is not present).

NOTE In addition to the ActiveConnections between the Platform ports and the NPIV ports, ActiveConnections are also instantiated for the actual switch port to which the NPIV port provides connectivity to. When the N Port Virtualizer is implemented it adds a constraint on the ActiveConnections between Platform FCPorts and Switch FCPorts. The ActiveConnection shall be subclassed to FCActiveConnection and contain the Discriminator property which shall contain a value of '3' (NPIV) for FCActiveConnections that are effected through the N Port Virtualizer.

- LogicalIdentity associations between the NPIV FCPorts and the Switch FCPorts to represent the Switch FCPort that is supporting the NPIV FCPort.

19.3 Health and Fault Management Consideration

Not defined in this version of the standard.

19.4 Cascading Considerations

Not defined in this version of the standard.

19.5 Supported Profiles, Subprofiles, and Packages

Table 284 describes the supported profiles for N Port Virtualizer.

Table 284 - Supported Profiles for N Port Virtualizer

Profile Name	Organization	Version	Requirement	Description
Physical Package	SNIA	1.5.0	Conditional	Conditional requirement: Required if the Switch profile is implemented.

19.6 Methods of the Profile

Not defined in this version of the standard.

19.7 Client Considerations and Recipes

Not defined in this version of the standard.

19.8 Registered Name and Version

N Port Virtualizer version 1.5.0 (Component Profile)

19.9 CIM Elements

Table 285 describes the CIM elements for N Port Virtualizer.

Table 285 - CIM Elements for N Port Virtualizer

Element Name	Requirement	Description
19.9.1 CIM_Component (N Port Virtualizer to Fabric)	Mandatory	Aggregates N Port Virtualizers in the AdminDomain that represents the Fabric.
19.9.2 CIM_ComputerSystem (N Port Virtualizer)	Mandatory	The ComputerSystem representing the N Port Virtualizer.
19.9.3 CIM_ComputerSystemPackage (N Port Virtualizer to Physical Package)	Conditional	Conditional requirement: Required if the Switch profile is implemented. Associates PhysicalPackage to the ComputerSystem (N Port Virtualizer).

Table 285 - CIM Elements for N Port Virtualizer

Element Name	Requirement	Description
19.9.4 CIM_DeviceSAPImplementation (ProtocolEndpoint to Gateway FCPort)	Mandatory	Associates the N Port Virtualizer Gateway FCPort to its ProtocolEndpoint.
19.9.5 CIM_DeviceSAPImplementation (ProtocolEndpoint to NPIV FCPort)	Mandatory	Associates the N Port Virtualizer NPIV FCPort to its ProtocolEndpoint.
19.9.6 CIM_FCActiveConnection (Gateway)	Optional	The association between ProtocolEndpoints representing the links between fibre channel switch ports and N Port Virtualizer gateway ports that are used to effect active connections between platform and switch ports.
19.9.7 CIM_FCActiveConnection (N Port Virtualization)	Optional	The association between ProtocolEndpoints representing the links between fibre channel platform ports and switch ports that are effected through an N Port Virtualizer.
19.9.8 CIM_FCPort (Fabric NPIV)	Mandatory	NPIV Fibre Channel Ports of the N Port Virtualizer.
19.9.9 CIM_FCPort (Gateway)	Mandatory	A Fibre Channel Port of the N Port Virtualizer that is used to connect to Switch Ports..
19.9.10 CIM_HostedAccessPoint (N Port Virtualizer System to ProtocolEndpoint)	Mandatory	Associates the ProtocolEndpoint to the N Port Virtualizer ComputerSystem.
19.9.11 CIM_LogicalIdentity (NPIV Port to Switch Port)	Mandatory	Associates ProtocolEndpoints of N Port Virtualizer NPIV FCPorts to ProtocolEndpoints of Switch FCPorts.
19.9.12 CIM_ProtocolEndpoint (N Port Virtualizer)	Mandatory	The endpoint of a link (ActiveConnection) on the N Port Virtualizer.
19.9.13 CIM_SystemDevice (N Port Virtualizer Gateway FCPort to Gateway System)	Optional	Associates N Port Virtualizer Gateway FCPorts to the ComputerSystem (N Port Virtualizer).
19.9.14 CIM_SystemDevice (N Port Virtualizer NPIV FCPort to Gateway System)	Optional	Associates N Port Virtualizer NPIV FCPorts to the ComputerSystem (N Port Virtualizer).

19.9.1 CIM_Component (N Port Virtualizer to Fabric)

Aggregates N Port Virtualizers in the AdminDomain that represents the Fabric.

Created By: Static

Modified By: Static

Deleted By: Static

Requirement: Mandatory

Table 286 describes class CIM_Component (N Port Virtualizer to Fabric).

Table 286 - SMI Referenced Properties/Methods for CIM_Component (N Port Virtualizer to Fabric)

Properties	Flags	Requirement	Description & Notes
PartComponent		Mandatory	Reference to an N Port Virtualizer (a ComputerSystem with Dedicated='20').
GroupComponent		Mandatory	Reference to the AdminDomain representing the Fabric (OtherIdentifyingInfo contains 'Fabric' with a corresponding 'SNIA:DetailedType' in IdentifyingDescriptions').

19.9.2 CIM_ComputerSystem (N Port Virtualizer)

The ComputerSystem representing the N Port Virtualizer.

Created By: Static
 Modified By: Static
 Deleted By: Static
 Requirement: Mandatory

Table 287 describes class CIM_ComputerSystem (N Port Virtualizer).

Table 287 - SMI Referenced Properties/Methods for CIM_ComputerSystem (N Port Virtualizer)

Properties	Flags	Requirement	Description & Notes
CreationClassName		Mandatory	Name of Class.
Name	C	Mandatory	This shall be the WWN for the N Port Virtualizer gateway.
ElementName		Mandatory	The N Port Virtualizer Symbolic Name.
NameFormat		Mandatory	Shall be 'WWN'.
OperationalStatus		Mandatory	One of the defined values (2 3 6 8 9 10 11 12 13) shall be present in the array value.
OtherIdentifyingInfo		Optional	
Dedicated		Mandatory	Shall be '20' (Gateway).
IdentifyingDescriptions		Optional	

19.9.3 CIM_ComputerSystemPackage (N Port Virtualizer to Physical Package)

Associates PhysicalPackage to the ComputerSystem (N Port Virtualizer). This is required if the Switch Profile is implemented.

Created By: Static
 Modified By: Static
 Deleted By: Static
 Requirement: Required if the Switch profile is implemented.

Table 288 describes class CIM_ComputerSystemPackage (N Port Virtualizer to Physical Package).

Table 288 - SMI Referenced Properties/Methods for CIM_ComputerSystemPackage (N Port Virtualizer to Physical Package)

Properties	Flags	Requirement	Description & Notes
Antecedent		Mandatory	The reference to the PhysicalPackage.
Dependent		Mandatory	The reference to the Switch ComputerSystem.

19.9.4 CIM_DeviceSAPImplementation (ProtocolEndpoint to Gateway FCPort)

Associates the N Port Virtualizer Gateway FCPort to its ProtocolEndpoint.

Created By: Static
 Modified By: Static
 Deleted By: Static
 Requirement: Mandatory

Table 289 describes class CIM_DeviceSAPImplementation (ProtocolEndpoint to Gateway FCPort).

Table 289 - SMI Referenced Properties/Methods for CIM_DeviceSAPImplementation (ProtocolEndpoint to Gateway FCPort)

Properties	Flags	Requirement	Description & Notes
Dependent		Mandatory	Reference to the ProtocolEndpoint.
Antecedent		Mandatory	Reference to the Gateway FCPort.

19.9.5 CIM_DeviceSAPImplementation (ProtocolEndpoint to NPIV FCPort)

Associates the N Port Virtualizer NPIV FCPort to its ProtocolEndpoint.

Created By: Static

Modified By: Static

Deleted By: Static

Requirement: Mandatory

Table 290 describes class CIM_DeviceSAPImplementation (ProtocolEndpoint to NPIV FCPort).

Table 290 - SMI Referenced Properties/Methods for CIM_DeviceSAPImplementation (ProtocolEndpoint to NPIV FCPort)

Properties	Flags	Requirement	Description & Notes
Dependent		Mandatory	Reference to the ProtocolEndpoint.
Antecedent		Mandatory	Reference to the NPIV FCPort (PortDiscriminator='7').

19.9.6 CIM_FCActiveConnection (Gateway)

The association between ProtocolEndpoints representing the links between fibre channel switch ports and N Port Virtualizer gateway ports that are used to effect active connections between platform and switch ports. Gateway FCActiveConnections are part of this profile.

Created By: Static

Modified By: Static

Deleted By: Static

Requirement: Optional

Table 291 describes class CIM_FCActiveConnection (Gateway).

Table 291 - SMI Referenced Properties/Methods for CIM_FCActiveConnection (Gateway)

Properties	Flags	Requirement	Description & Notes
Discriminator		Optional	For ActiveConnections that are instantiated to represent connections established through an N Port Virtualizer, the value shall include '3' (NPIV).
Antecedent		Mandatory	The reference to the ProtocolEndpoint in the switch.
Dependent		Mandatory	The reference to the ProtocolEndpoint in the N Port Virtualizer.

19.9.7 CIM_FCActiveConnection (N Port Virtualization)

The association between ProtocolEndpoints representing the links between fibre channel platform ports and switch ports that are effected through an N Port Virtualizer. This class table is a constrain on the ActiveConnection in the Fabric Profile.

- Created By: Static
- Modified By: Static
- Deleted By: Static
- Requirement: Optional

Table 292 describes class CIM_FCActiveConnection (N Port Virtualization).

Table 292 - SMI Referenced Properties/Methods for CIM_FCActiveConnection (N Port Virtualization)

Properties	Flags	Requirement	Description & Notes
Discriminator		Optional	For ActiveConnections that are instantiated to represent connections established through an N Port Virtualizer, the value shall include '3' (NPIV).
Antecedent		Mandatory	The reference to the ProtocolEndpoint for one end of the link.
Dependent		Mandatory	The reference to the ProtocolEndpoint for the other end of the link.

19.9.8 CIM_FCPort (Fabric NPIV)

NPIV Fibre Channel Ports of the N Port Virtualizer. These are ports that support NPIV and are realized through switch ports.

- Created By: Static
- Modified By: Static
- Deleted By: Static
- Requirement: Mandatory

Table 293 describes class CIM_FCPort (Fabric NPIV).

Table 293 - SMI Referenced Properties/Methods for CIM_FCPort (Fabric NPIV)

Properties	Flags	Requirement	Description & Notes
SystemCreationClassName		Mandatory	The N Port Virtualizer System's CreationClassName.
SystemName		Mandatory	The N Port Virtualizer System's Name.
CreationClassName		Mandatory	Name of Class.
DeviceID		Mandatory	Opaque.
ElementName		Optional	Port Symbolic Name if available. Otherwise NULL. If the underlying implementation includes characters that are illegal in CIM strings, then truncate before the first of those characters.
PermanentAddress	CD	Mandatory	Fibre Channel Port WWN. Expressed as 16 un-separated upper case hex digits (see Table 4 for more information about formats).
NetworkAddresses	C	Mandatory	Fibre Channel ID (FCID). Expressed as 8 un-separated upper case hex digits (see Table 4 for more information about formats).
OperationalStatus		Mandatory	One of the defined values (0 2 6 10 11) shall be present in the array value.
PortType		Mandatory	This shall be port type '10' (N).

Table 293 - SMI Referenced Properties/Methods for CIM_FCPort (Fabric NPIV)

Properties	Flags	Requirement	Description & Notes
LinkTechnology		Mandatory	Shall be 4 ('FC').
SupportedFC4Types		Optional	An array of integers indicating the Fibre Channel FC-4 protocols supported. EXPERIMENTAL When supporting FC-SB, this property shall be either '27' (FC-SB-2 Channel) for Host Ports or '28' (FC-SB-2 Control Unit) for targets. EXPERIMENTAL .
SupportedCOS		Optional	An array of integers indicating the Fibre Channel Classes of Service that are supported. EXPERIMENTAL When supporting FC-SB, this property shall be either '2' or '3' for FC-SB-2 Channel or FC-SB-2 Control Unit ports, respectively. EXPERIMENTAL .
PortDiscriminator		Mandatory	This array property identifies the context in which this FCPort is instantiated. For the Fabric NPIV FC Ports, the values shall include '7' (NPIV).

19.9.9 CIM_FCPort (Gateway)

A Fibre Channel Port of the N Port Virtualizer that is used to connect to Switch Ports. These are ports are the active connection between the N Port Virtualizer system and the Switch ports in the Fabric.

Created By: Static

Modified By: Static

Deleted By: Static

Requirement: Mandatory

Table 294 describes class CIM_FCPort (Gateway).

Table 294 - SMI Referenced Properties/Methods for CIM_FCPort (Gateway)

Properties	Flags	Requirement	Description & Notes
SystemCreationClassName		Mandatory	The N Port Virtualizer System's CreationClassName.
SystemName		Mandatory	The N Port Virtualizer System's Name.
CreationClassName		Mandatory	Name of Class.
DeviceID		Mandatory	Opaque.
ElementName		Optional	Port Symbolic Name if available. Otherwise NULL. If the underlying implementation includes characters that are illegal in CIM strings, then truncate before the first of those characters.
PermanentAddress	CD	Mandatory	Fibre Channel Port WWN. Expressed as 16 un-separated upper case hex digits (see Table 4 for more information about formats).
NetworkAddresses	C	Mandatory	Fibre Channel ID (FCID). Expressed as 8 un-separated upper case hex digits (see Table 4 for more information about formats).
OperationalStatus		Mandatory	One of the defined values (0 2 6 10 11) shall be present in the array value.
PortType		Mandatory	This shall be port type '10' (N).
LinkTechnology		Mandatory	Shall be 4 ('FC').

Table 294 - SMI Referenced Properties/Methods for CIM_FCPort (Gateway)

Properties	Flags	Requirement	Description & Notes
SupportedFC4Types		Optional	An array of integers indicating the Fibre Channel FC-4 protocols supported. EXPERIMENTAL When supporting FC-SB, this property shall be either '27' (FC-SB-2 Channel) for Host Ports or '28' (FC-SB-2 Control Unit) for targets. EXPERIMENTAL .
SupportedCOS		Optional	An array of integers indicating the Fibre Channel Classes of Service that are supported. EXPERIMENTAL When supporting FC-SB, this property shall be either '2' or '3' for FC-SB-2 Channel or FC-SB-2 Control Unit ports, respectively. EXPERIMENTAL .
PortDiscriminator		Mandatory	This array property identifies the context in which this FCPort is instantiated. For this version of the standard, the values shall not contain '7' (NPIV).

19.9.10 CIM_HostedAccessPoint (N Port Virtualizer System to ProtocolEndpoint)

Associates the ProtocolEndpoint to the N Port Virtualizer ComputerSystem.

Created By: Static

Modified By: Static

Deleted By: Static

Requirement: Mandatory

Table 295 describes class CIM_HostedAccessPoint (N Port Virtualizer System to ProtocolEndpoint).

Table 295 - SMI Referenced Properties/Methods for CIM_HostedAccessPoint (N Port Virtualizer System to ProtocolEndpoint)

Properties	Flags	Requirement	Description & Notes
Dependent		Mandatory	Reference to the ProtocolEndpoint.
Antecedent		Mandatory	Reference to the N Port Virtualizer ComputerSystem.

19.9.11 CIM_LogicalIdentity (NPIV Port to Switch Port)

Associates ProtocolEndpoints of N Port Virtualizer NPIV FCPorts to ProtocolEndpoints of Switch FCPorts.

Created By: Static

Modified By: Static

Deleted By: Static

Requirement: Mandatory

Table 296 describes class CIM_LogicalIdentity (NPIV Port to Switch Port).

Table 296 - SMI Referenced Properties/Methods for CIM_LogicalIdentity (NPIV Port to Switch Port)

Properties	Flags	Requirement	Description & Notes
SystemElement		Mandatory	This is a reference to an N Port Virtualizer ProtocolEndpoint for an NPIV FCPort.
SameElement		Mandatory	This is a reference to Switch ProtocolEndpoint that supports the N Port Virtualizer ProtocolEndpoint.

19.9.12 CIM_ProtocolEndpoint (N Port Virtualizer)

The endpoint of a link (ActiveConnection). ProtocolEndpoint shall be implemented when an ActiveConnection exists. It may be implemented if no ActiveConnections exist.

Created By: Static

Modified By: Static

Deleted By: Static

Requirement: Mandatory

Table 297 describes class CIM_ProtocolEndpoint (N Port Virtualizer).

Table 297 - SMI Referenced Properties/Methods for CIM_ProtocolEndpoint (N Port Virtualizer)

Properties	Flags	Requirement	Description & Notes
SystemCreationClassName		Mandatory	The N Port Virtualizer System's CreationClassName.
SystemName		Mandatory	The N Port Virtualizer System's Name.
CreationClassName		Mandatory	Name of Class.
Name	CD	Mandatory	The Fibre Channel Port WWN.
NameFormat		Mandatory	'WWN'.
ProtocolIFType		Mandatory	Shall be 56(Fibre channel).

19.9.13 CIM_SystemDevice (N Port Virtualizer Gateway FCPort to Gateway System)

Associates N Port Virtualizer Gateway FCPorts to the ComputerSystem (N Port Virtualizer).

Created By: Static

Modified By: Static

Deleted By: Static

Requirement: Optional

Table 298 describes class CIM_SystemDevice (N Port Virtualizer Gateway FCPort to Gateway System).

Table 298 - SMI Referenced Properties/Methods for CIM_SystemDevice (N Port Virtualizer Gateway FCPort to Gateway System)

Properties	Flags	Requirement	Description & Notes
PartComponent		Mandatory	The reference to the Gateway FCPort.
GroupComponent		Mandatory	The reference to the N Port Virtualizer ComputerSystem.

19.9.14 CIM_SystemDevice (N Port Virtualizer NPIV FCPort to Gateway System)

Associates N Port Virtualizer NPIV FCPorts to the ComputerSystem (N Port Virtualizer).

Created By: Static

Modified By: Static

Deleted By: Static

Requirement: Optional

Table 299 describes class CIM_SystemDevice (N Port Virtualizer NPIV FCPort to Gateway System).

Table 299 - SMI Referenced Properties/Methods for CIM_SystemDevice (N Port Virtualizer NPIV FCPort to Gateway System)

Properties	Flags	Requirement	Description & Notes
PartComponent		Mandatory	The reference to the Fabric NPIV FCPort.
GroupComponent		Mandatory	The reference to the N Port Virtualizer ComputerSystem.

EXPERIMENTAL

N Port Virtualizer Profile

EXPERIMENTAL

20 Inter Fabric Routing Profile

20.1 Description

This profile defines the mechanism to model Inter Fabric Routing (IFR) as defined in the T11 document FC-IFR. IFR is a fibre channel standard that allows a device in one fabric to be shared in another fabric without having to merge the two fabrics into a single fabric.

20.1.1 Switch Topology

Figure 35 illustrates the switch topology for Inter Fabric Routing.

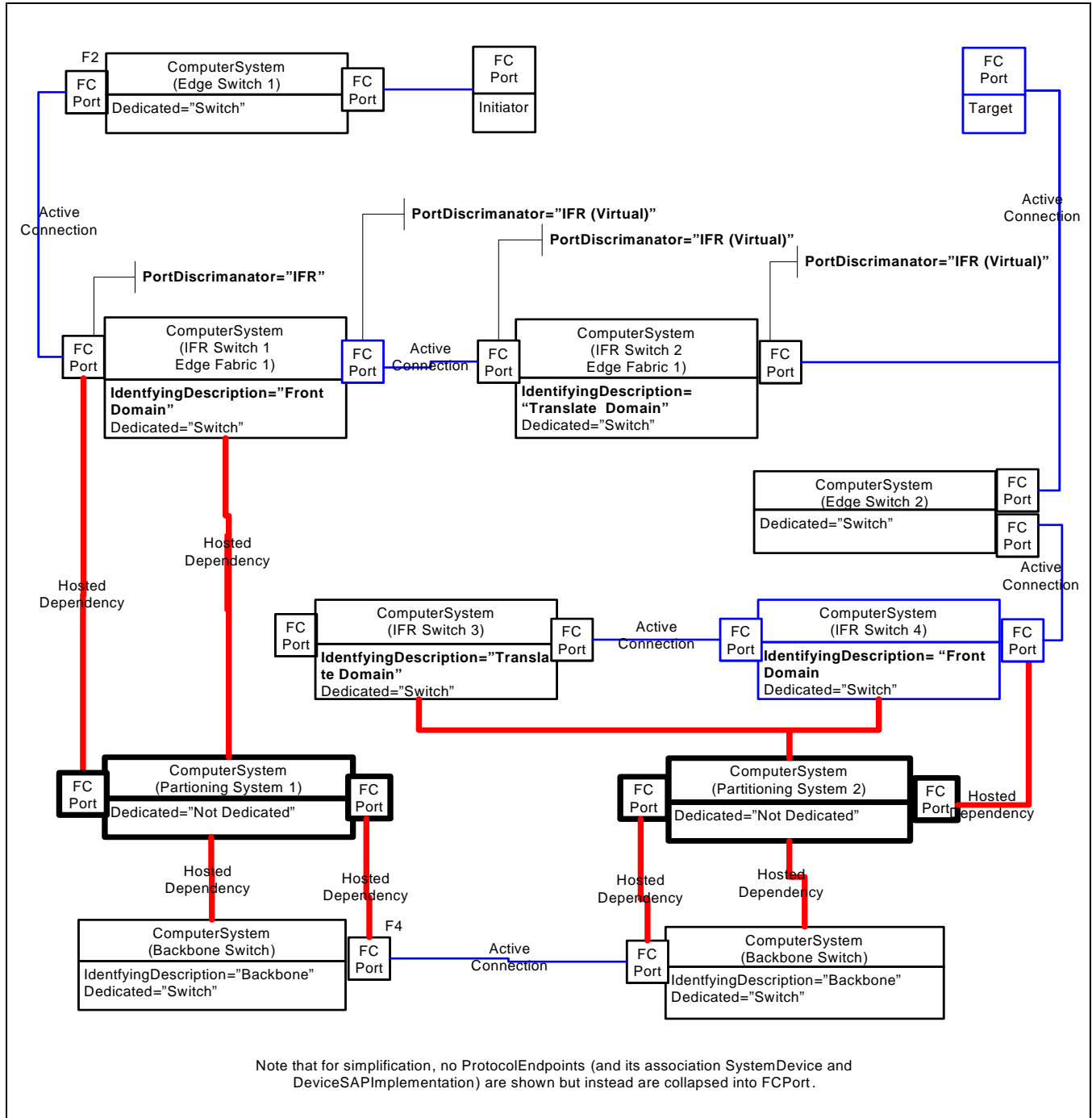


Figure 35 - IFR Switch Topology

There is a fabric, called *backbone*, which provides the mechanism to physically connect the two fabrics, called *edge*, together. In the instance diagram, two edge fabrics (A and B) are connected by a single backbone fabric. The two partitioning switches, Partitioning Switch 1 and 2, make up the backbone fabric and provide the routing between Edge Fabric A and B. These two partitioning switches also physically connect to only one additional switch in Fabric A and B, identified as Edge Switch 1 and 2, respectively.

The partitioning switches presents to each edge fabric, two partitioned switches for the front and translate domains. In this example, a device called initiator is physically in Fabric A and another device called Target is physically in Fabric B, but shared to Fabric A as can be seen by device having an ActiveConnection to two different partitioned switches.

This profile itself does not introduce any new classes. It extends the Fabric Profile. Without the Inter Fabric Routing Profile, a client would see three separate fabrics without any knowledge that they are physically inter-connected and the shared devices appearing in different fabrics might even confuse the user. That is, Partitioning System 1 and 2 and the HostedDependency would not exist and only present Fabric A, B, and Backbone as three separate fabrics through the Fabric Profile.

This profile does require new properties (in bold). Specifically it requires that the switches have the property IdentifyingDescription populated with either "Front Domain", the domain that links directly to the Edge Fabric, or "Translate Domain", the domain that links to the shared device.

20.1.2 Identification of Ports

It also requires the PortDiscriminator property on FCPort to be populated on all the ports of the switches with either "IFR" or "IFR (Virtual)". The "IFR (Virtual)" FCPorts are those ports that have no underlying physical manifestation. Specifically, these are the ports on the translate domain or are the connected to the translate domain.

Figure 36 illustrates the usage of PortDiscriminators in modeling of an Inter Fabric Routing.

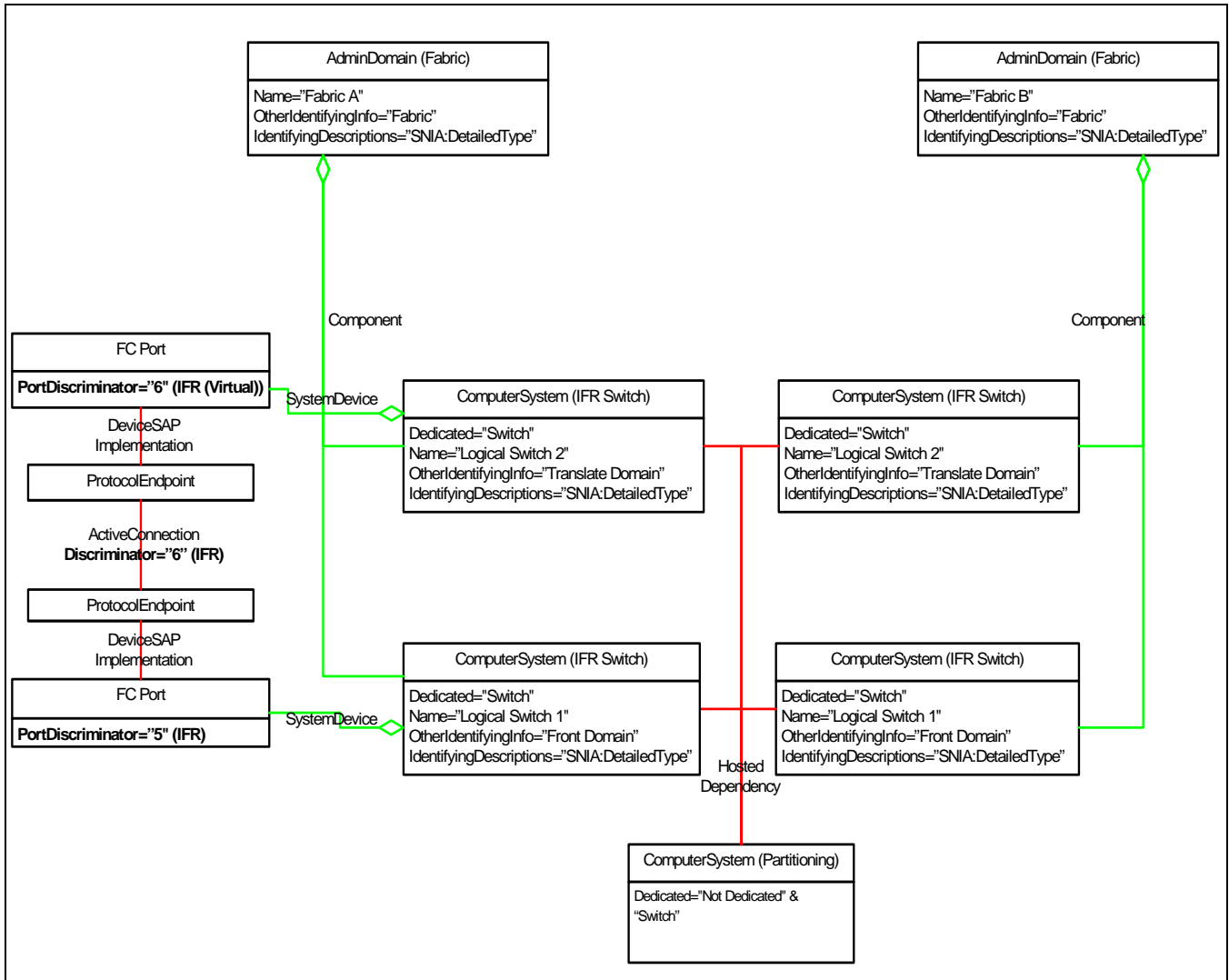


Figure 36 - Inter Fabric Routing Ports

20.2 Health and Fault Management Consideration

20.3 Cascading Considerations

Not defined in this version of the standard.

20.4 Supported Profiles, Subprofiles, and Packages

Related Profiles for Inter Fabric Routing: Not defined in this standard.

20.5 Methods of the Profile

Not defined in this version of the standard.

20.6 Client Considerations and Recipes

Not defined in this version of the standard.

20.7 Registered Name and Version

Inter Fabric Routing version 1.5.0 (Component Profile)

20.8 CIM Elements

Table 300 describes the CIM elements for Inter Fabric Routing.

Table 300 - CIM Elements for Inter Fabric Routing

Element Name	Requirement	Description
20.8.1 CIM_Component (Backbone Switch to Fabric)	Mandatory	Aggregates Backbone Switches in the AdminDomain that represents an interconnect Fabric.
20.8.2 CIM_Component (IFR Switch to Fabric)	Mandatory	Aggregates IFR Switches in the AdminDomain that represents a connected Fabric.
20.8.3 CIM_ComputerSystem (Backbone Switch)	Mandatory	The is a special case of a switch (one used to interconnect fabrics).
20.8.4 CIM_ComputerSystem (IFR Switch)	Mandatory	This is an IFR special case of a Switch ComputerSystem.
20.8.5 CIM_FCActiveConnection	Optional	Experimental. The association between ProtocolEndpoints representing the links between fibre channel devices (including ISLs).
20.8.6 CIM_FCPort (IFR FCPort)	Mandatory	Fibre Channel Port for an IFR Switch.
20.8.7 CIM_ProtocolEndpoint	Mandatory	The endpoint of a link (ActiveConnection).

20.8.1 CIM_Component (Backbone Switch to Fabric)

Aggregates Backbone Switches in the AdminDomain that represents an interconnected Fabric.

Created By: Static

Modified By: Static

Deleted By: Static

Requirement: Mandatory

Table 301 describes class CIM_Component (Backbone Switch to Fabric).

Table 301 - SMI Referenced Properties/Methods for CIM_Component (Backbone Switch to Fabric)

Properties	Flags	Requirement	Description & Notes
PartComponent		Mandatory	Reference to a Backbone Switch.
GroupComponent		Mandatory	Reference to the AdminDomain representing the Fabric (OtherIdentifyingInfo contains 'Fabric' with a corresponding 'SNIA:DetailedType' in IdentifyingDescriptions).

20.8.2 CIM_Component (IFR Switch to Fabric)

Aggregates IFR Switches in the AdminDomain that represents a connected Fabric.

Created By: Static

Modified By: Static

Deleted By: Static
Requirement: Mandatory

Table 302 describes class CIM_Component (IFR Switch to Fabric).

Table 302 - SMI Referenced Properties/Methods for CIM_Component (IFR Switch to Fabric)

Properties	Flags	Requirement	Description & Notes
PartComponent		Mandatory	Reference to an IFR Switch.
GroupComponent		Mandatory	Reference to the AdminDomain representing the Fabric (OtherIdentifyingInfo contains 'Fabric' with a corresponding 'SNIA:DetailedType' in IdentifyingDescriptions).

20.8.3 CIM_ComputerSystem (Backbone Switch)

In the Inter Fabric Routing profile, this is ComputerSystem representing switches for interconnecting fabrics.

Created By: External
Modified By: Static
Deleted By: External
Requirement: Mandatory

Table 303 describes class CIM_ComputerSystem (Backbone Switch).

Table 303 - SMI Referenced Properties/Methods for CIM_ComputerSystem (Backbone Switch)

Properties	Flags	Requirement	Description & Notes
CreationClassName		Mandatory	See the CreationClassName definition in section <i>Storage Management Technical Specification, Part 6 Fabric, 1.6.1 Rev 6 4.8.9</i> CIM_ComputerSystem (Switch).
Name	C	Mandatory	See the Name definition in section <i>Storage Management Technical Specification, Part 6 Fabric, 1.6.1 Rev 6 4.8.9</i> CIM_ComputerSystem (Switch).
ElementName		Mandatory	See the ElementName definition in section <i>Storage Management Technical Specification, Part 6 Fabric, 1.6.1 Rev 6 4.8.9</i> CIM_ComputerSystem (Switch).
NameFormat		Mandatory	See the NameFormat definition in section <i>Storage Management Technical Specification, Part 6 Fabric, 1.6.1 Rev 6 4.8.9</i> CIM_ComputerSystem (Switch).
OperationalStatus		Mandatory	See the OperationalStatus definition in section <i>Storage Management Technical Specification, Part 6 Fabric, 1.6.1 Rev 6 4.8.9</i> CIM_ComputerSystem (Switch).
Dedicated		Mandatory	See the Dedicated definition in section <i>Storage Management Technical Specification, Part 6 Fabric, 1.6.1 Rev 6 4.8.9</i> CIM_ComputerSystem (Switch).
OtherIdentifyingInfo	C	Mandatory	One of the indices shall contain the value 'Backbone' and in the corresponding index for OtherIdentifyingDescription the value 'SNIA:DetailedType'.
IdentifyingDescriptions		Mandatory	One of the indices shall contain the value 'SNIA:DetailedType' and in the corresponding index for OtherIdentifyingInfo a value of 'Backbone' for an Inter-Fabric Routing (IFR) switch for interconnecting fabrics.

Table 303 - SMI Referenced Properties/Methods for CIM_ComputerSystem (Backbone Switch)

Properties	Flags	Requirement	Description & Notes
EnabledState		Mandatory	Experimental. See the EnabledState definition in section <i>Storage Management Technical Specification, Part 6 Fabric, 1.6.1 Rev 6 4.8.9</i> CIM_ComputerSystem (Switch).
RequestedState		Conditional	Conditional requirement: Required if the Switch profile is implemented. See the RequestedState definition in section <i>Storage Management Technical Specification, Part 6 Fabric, 1.6.1 Rev 6 12.8.2</i> CIM_ComputerSystem (Switch).
EnabledDefault		Optional	See the EnabledDefault definition in section <i>Storage Management Technical Specification, Part 6 Fabric, 1.6.1 Rev 6 12.8.2</i> CIM_ComputerSystem (Switch).
RequestStateChange()		Conditional	Conditional requirement: Required if the Switch profile is implemented. See the RequestStateChange definition in section <i>Storage Management Technical Specification, Part 6 Fabric, 1.6.1 Rev 6 12.8.2</i> CIM_ComputerSystem (Switch).

20.8.4 CIM_ComputerSystem (IFR Switch)

In the Inter Fabric Routing profile, this is ComputerSystem representing switches.

Created By: External

Modified By: Static

Deleted By: External

Requirement: Mandatory

Table 304 describes class CIM_ComputerSystem (IFR Switch).

Table 304 - SMI Referenced Properties/Methods for CIM_ComputerSystem (IFR Switch)

Properties	Flags	Requirement	Description & Notes
CreationClassName		Mandatory	See the CreationClassName definition in section <i>Storage Management Technical Specification, Part 6 Fabric, 1.6.1 Rev 6 4.8.9</i> CIM_ComputerSystem (Switch).
Name	C	Mandatory	See the Name definition in section <i>Storage Management Technical Specification, Part 6 Fabric, 1.6.1 Rev 6 4.8.9</i> CIM_ComputerSystem (Switch).
ElementName		Mandatory	See the ElementName definition in section <i>Storage Management Technical Specification, Part 6 Fabric, 1.6.1 Rev 6 4.8.9</i> CIM_ComputerSystem (Switch).
NameFormat		Mandatory	See the NameFormat definition in section <i>Storage Management Technical Specification, Part 6 Fabric, 1.6.1 Rev 6 4.8.9</i> CIM_ComputerSystem (Switch).
OperationalStatus		Mandatory	See the OperationalStatus definition in section <i>Storage Management Technical Specification, Part 6 Fabric, 1.6.1 Rev 6 4.8.9</i> CIM_ComputerSystem (Switch).
Dedicated		Mandatory	See the Dedicated definition in section <i>Storage Management Technical Specification, Part 6 Fabric, 1.6.1 Rev 6 4.8.9</i> CIM_ComputerSystem (Switch).
OtherIdentifyingInfo	C	Mandatory	One of the indices shall contain the value 'Front Domain' or 'Translate Domain' and in the corresponding index for OtherIdentifyingDescription the value 'SNIA:DetailedType'.

Table 304 - SMI Referenced Properties/Methods for CIM_ComputerSystem (IFR Switch)

Properties	Flags	Requirement	Description & Notes
IdentifyingDescriptions		Mandatory	One of the indices shall contain the value 'SNIA:DetailedType' and in the corresponding index for OtherIdentifyingInfo a value of 'Front Domain' for an Inter-Fabric Routing (IFR) Front Domain or 'Translate Domain' for an Inter-Fabric Routing (IFR) Translate Domain.
EnabledState		Mandatory	Experimental. See the EnabledState definition in section <i>Storage Management Technical Specification, Part 6 Fabric, 1.6.1 Rev 6 4.8.9</i> CIM_ComputerSystem (Switch).
RequestedState		Conditional	Conditional requirement: Required if the Switch profile is implemented. See the RequestedState definition in section <i>Storage Management Technical Specification, Part 6 Fabric, 1.6.1 Rev 6 12.8.2</i> CIM_ComputerSystem (Switch).
EnabledDefault		Optional	See the EnabledDefault definition in section <i>Storage Management Technical Specification, Part 6 Fabric, 1.6.1 Rev 6 12.8.2</i> CIM_ComputerSystem (Switch).
RequestStateChange()		Conditional	Conditional requirement: Required if the Switch profile is implemented. See the RequestStateChange definition in section <i>Storage Management Technical Specification, Part 6 Fabric, 1.6.1 Rev 6 12.8.2</i> CIM_ComputerSystem (Switch).

20.8.5 CIM_FCActiveConnection

Experimental. The association between ProtocolEndpoints representing the links between fibre channel devices (including ISLs). For loops and NPV, multiple ActiveConnections are instantiated as one to many relationships.

Created By: Static

Modified By: Static

Deleted By: Static

Requirement: Optional

Table 305 describes class CIM_FCActiveConnection.

Table 305 - SMI Referenced Properties/Methods for CIM_FCActiveConnection

Properties	Flags	Requirement	Description & Notes
Discriminator		Mandatory	An array property enumeration used to discriminate the context in which the ActiveConnection is instantiated. For ActiveConnections between IFR Ports this property shall contain the value '6' (IFR).
Antecedent		Mandatory	The reference to the ProtocolEndpoint for one end of the link.
Dependent		Mandatory	The reference to the ProtocolEndpoint for the other end of the link.

20.8.6 CIM_FCPort (IFR FCPort)

Fibre Channel Port for an IFR Switch.

Created By: Static

Modified By: Static

Deleted By: Static

Requirement: Mandatory

Table 306 describes class CIM_FCPort (IFR FCPort).

Table 306 - SMI Referenced Properties/Methods for CIM_FCPort (IFR FCPort)

Properties	Flags	Requirement	Description & Notes
SystemCreationClassName		Mandatory	See the SystemCreationClassName definition in section <i>Storage Management Technical Specification, Part 6 Fabric, 1.6.1 Rev 6 4.8.22</i> CIM_FCPort (Switch FCPort).
SystemName		Mandatory	See the SystemName definition in section <i>Storage Management Technical Specification, Part 6 Fabric, 1.6.1 Rev 6 4.8.22</i> CIM_FCPort (Switch FCPort).
CreationClassName		Mandatory	See the CreationClassName definition in section <i>Storage Management Technical Specification, Part 6 Fabric, 1.6.1 Rev 6 4.8.22</i> CIM_FCPort (Switch FCPort).
DeviceID		Mandatory	See the DeviceID definition in section <i>Storage Management Technical Specification, Part 6 Fabric, 1.6.1 Rev 6 4.8.22</i> CIM_FCPort (Switch FCPort).
ElementName		Mandatory	See the ElementName definition in section <i>Storage Management Technical Specification, Part 6 Fabric, 1.6.1 Rev 6 4.8.22</i> CIM_FCPort (Switch FCPort).
PermanentAddress	CD	Mandatory	Fibre Channel Port WWN.
Speed		Optional	See the Speed definition in section <i>Storage Management Technical Specification, Part 6 Fabric, 1.6.1 Rev 6 12.8.11</i> CIM_FCPort (Switch FCPort).
OperationalStatus		Mandatory	See the OperationalStatus definition in section <i>Storage Management Technical Specification, Part 6 Fabric, 1.6.1 Rev 6 4.8.22</i> CIM_FCPort (Switch FCPort).
PortType		Mandatory	See the PortType definition in section <i>Storage Management Technical Specification, Part 6 Fabric, 1.6.1 Rev 6 4.8.22</i> CIM_FCPort (Switch FCPort).
LinkTechnology		Mandatory	See the LinkTechnology definition in section <i>Storage Management Technical Specification, Part 6 Fabric, 1.6.1 Rev 6 4.8.22</i> CIM_FCPort (Switch FCPort).
EnabledState		Mandatory	Experimental. See the EnabledState definition in section <i>Storage Management Technical Specification, Part 6 Fabric, 1.6.1 Rev 6 4.8.22</i> CIM_FCPort (Switch FCPort).
DetailedPortState		Conditional	Experimental. Conditional requirement: Required if the Switch profile is implemented. See <i>Storage Management Technical Specification, Part 6 Fabric, 1.6.1 Rev 6 Table 136 - DetailedPortState</i> for FCPort.
PortAvailability		Optional	Experimental. See <i>Storage Management Technical Specification, Part 6 Fabric, 1.6.1 Rev 6 Table 137 - PortAvailability</i> for FCPort.
RequestedState		Conditional	Conditional requirement: Required if the Switch profile is implemented. See the RequestedState definition in section <i>Storage Management Technical Specification, Part 6 Fabric, 1.6.1 Rev 6 12.8.11</i> CIM_FCPort (Switch FCPort).
EnabledDefault		Conditional	Conditional requirement: Required if the Switch profile is implemented. See the EnabledDefault definition in section <i>Storage Management Technical Specification, Part 6 Fabric, 1.6.1 Rev 6 12.8.11</i> CIM_FCPort (Switch FCPort).
MaxSpeed		Conditional	Conditional requirement: Required if the Switch profile is implemented. See the MaxSpeed definition in section <i>Storage Management Technical Specification, Part 6 Fabric, 1.6.1 Rev 6 12.8.11</i> CIM_FCPort (Switch FCPort).

Table 306 - SMI Referenced Properties/Methods for CIM_FCPort (IFR FCPort)

Properties	Flags	Requirement	Description & Notes
PortNumber		Conditional	Conditional requirement: Required if the Switch profile is implemented. See the PortNumber definition in section <i>Storage Management Technical Specification, Part 6 Fabric, 1.6.1 Rev 6 12.8.11</i> CIM_FCPort (Switch FCPort).
PortDiscriminator		Mandatory	Experimental. Ports that participate in IFR shall contain the value '5' [IFR] or '6' [IFR (Virtual)].
RequestStateChange()		Conditional	Conditional requirement: Support for the Switch Profile and a non-null value in FCPortCapabilities.RequestedStatesSupported. See the RequestStateChange definition in section <i>Storage Management Technical Specification, Part 6 Fabric, 1.6.1 Rev 6 12.8.11</i> CIM_FCPort (Switch FCPort).

20.8.7 CIM_ProtocolEndpoint

The endpoint of a link (ActiveConnection). ProtocolEndpoint shall be implemented when an ActiveConnection exists. It may be implemented if no ActiveConnections exist.

Created By: Static

Modified By: Static

Deleted By: Static

Requirement: Mandatory

Table 307 describes class CIM_ProtocolEndpoint.

Table 307 - SMI Referenced Properties/Methods for CIM_ProtocolEndpoint

Properties	Flags	Requirement	Description & Notes
SystemCreationClassName		Mandatory	The scoping System's CreationClassName.
SystemName		Mandatory	The scoping System's Name.
CreationClassName		Mandatory	Name of Class.
Name	CD	Mandatory	The Fibre Channel Port WWN.
NameFormat		Mandatory	'WWN'.
ProtocollFType		Mandatory	Shall be 56(Fibre channel).

EXPERIMENTAL

EXPERIMENTAL

21 FCoE Fabric Profile

21.1 Description

The FCoE Fabric Profile extends the Fabric Profile to provide the necessary information to identify that the discovered Fibre Channel Fabric is running FCoE and the correlatable Ethernet components. Specifically this profile identifies the Ethernet Switch and Ethernet Ports provided by a FCoE Switch as well as the end devices running FCoE. The added portions of the model for the Ethernet portion.

The Ethernet side, for purposes of this profile, will be called the Ethernet Network and is a mirror image in many ways of the Fibre Channel Fabric profile. For example, it has ConnectivityCollection collecting ProtocolEndpoints in this case LANEndpoints. ComputerSystems having the Dedicated property set to "Ethernet Switch" instead of "FC Switch" which is hosted to the "physical" ComputerSystem (see 21 "FCoE Fabric Profile"). An AdminDomain having components of ComputerSystems being the Ethernet Switches. LANEndpoints associated to EthernetPorts as ProtocolEndpoints associated with FCPorts. Also any of the FCPorts that are hosted on EthernetPorts have the PortDiscriminator property set to "FCoE".

Figure 37 shows the FCoE Fabric instance.

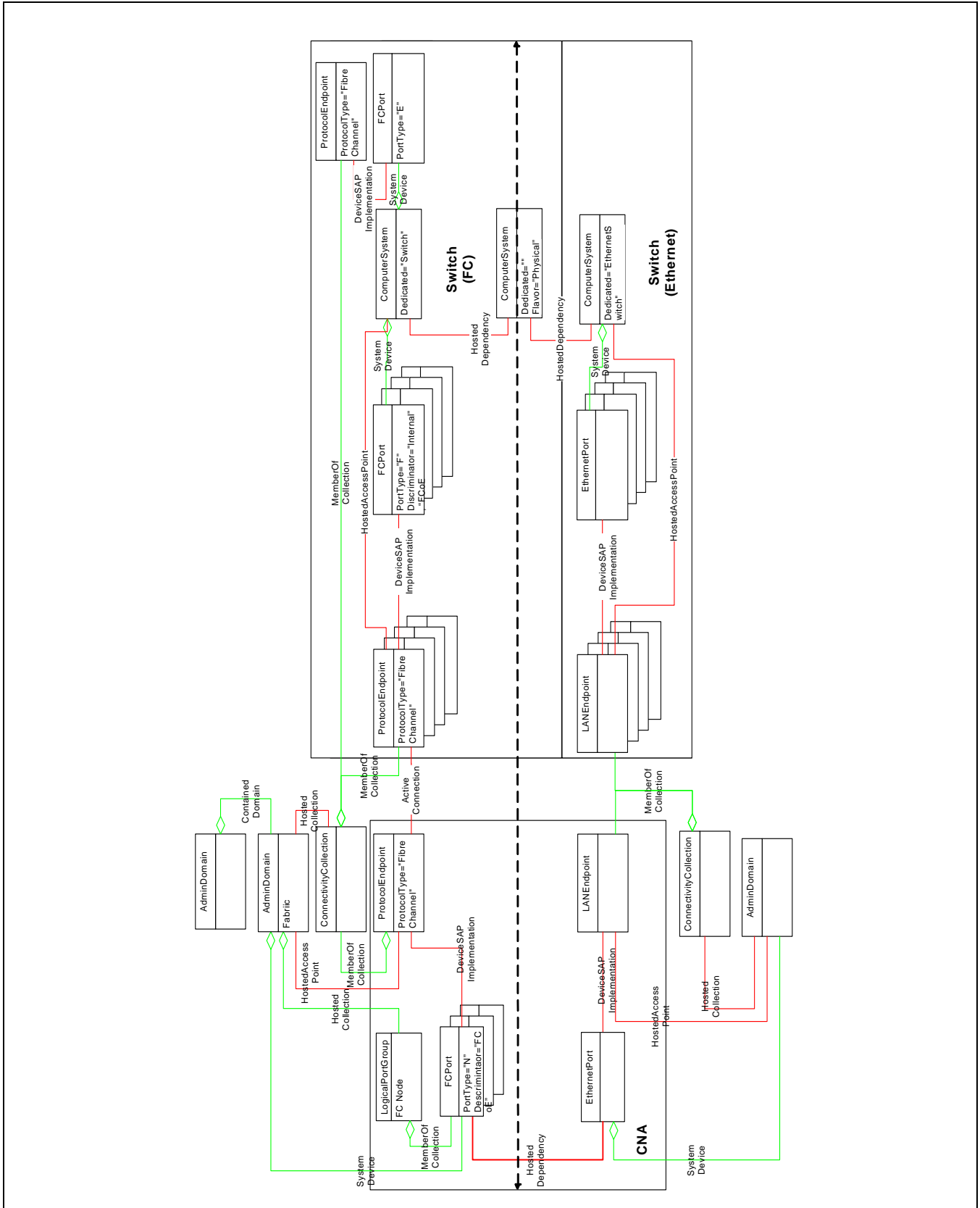


Figure 37 - FCoE Fabric Instance Diagram

21.2 Health and Fault Management Consideration

None

21.3 Supported Profiles, Subprofiles, and Packages

None

21.4 Methods of the Profile

None

21.5 Client Considerations and Recipes

None

21.6 Registered Name and Version

Fabric FCoE version 1.6.0 (Autonomous Profile)

21.7 CIM Elements

Table 308 describes the CIM elements for Fabric FCoE.

Table 308 - CIM Elements for Fabric FCoE

Element Name	Requirement	Description
21.7.1 CIM_AdminDomain (Ethernet Network)	Mandatory	AdminDomain representing the Ethernet Network.
21.7.2 CIM_Component (Switch to Ethernet Network)	Mandatory	Aggregates Switches in the AdminDomain that represents the Fabric.
21.7.3 CIM_ComputerSystem (Ethernet Switch)	Mandatory	The ComputerSystem representing an Ethernet Switch.
21.7.4 CIM_ConnectivityCollection (LANEndpoints to EthernetNetwork)	Mandatory	Collects the LanEndpoints of the Ethernet Network.
21.7.5 CIM_DeviceSAPImplementation (Ethernet Switch to EthernetPort)	Mandatory	Associates the Switch EthernetPort to the LANIEndpoint.
21.7.6 CIM_DeviceSAPImplementation (Non-Switch to EthernetPort)	Mandatory	Associates the Non-Switch (Host or Storage) FCPort to the ProtocolEndpoint.
21.7.7 CIM_FCActiveConnection (FC Links transported over Ethernet (FCoE))	Mandatory	Experimental. The association between ProtocolEndpoints representing the links between fibre channel devices (including ISLs).
21.7.8 CIM_FCPort (Host FCPort)	Mandatory	Fibre Channel Port for Host Platforms.
21.7.9 CIM_FCPort (Partitioned Switch FCPort)	Conditional	Conditional requirement: Support for the Switch Partitioning profile. Fibre Channel Port for Partitioned Switch.
21.7.10 CIM_FilterCollection (Fabric Predefined FilterCollection)	Conditional	Experimental. Conditional requirement: Required if the Experimental Indication Profile is supported and the SNIA_IndicationConfigurationCapabilities.SupportedFeatures='5' (Predefined Filter Collections). This is a collection of predefined IndicationFilters to which a client may subscribe.
21.7.11 CIM_HostedAccessPoint (AdminDomain to LANEndpoint)	Mandatory	Associates the ProtocolEndpoint to a Fabric AdminDomain.
21.7.12 CIM_HostedAccessPoint (ComputerSystem to LANEndpoint)	Mandatory	Associates the LANEndpoint to the hosting Ethernet Switch ComputerSystem.
21.7.13 CIM_HostedCollection (Ethernet Network AdminDomain to ConnectivityCollection)	Mandatory	Associates the ConnectivityCollection of LANEndpoints to the AdminDomain representing the Ethernet Network.

Table 308 - CIM Elements for Fabric FCoE

Element Name	Requirement	Description
21.7.14 CIM_HostedCollection (Fabric to predefined FilterCollection)	Conditional	Experimental. Conditional requirement: Required if the Experimental Indication Profile is supported and the SNIA_IndicationConfigurationCapabilities.SupportedFeatures='5' (Predefined Filter Collections).
21.7.15 CIM_HostedDependency (ComputerSystem (Ethernet Switch) to Partitioning ComputerSystem)	Optional	Experimental. The association representing the relationship of the FCPort that hosts the FCPorts that are virtualized.
21.7.16 CIM_HostedDependency (FCPort to EthernetPort)	Optional	Experimental. The association representing the relationship of the EthernetPort that hosts the FCPorts for FCoE.
21.7.17 CIM_LANEndpoint (Ethernet ProtocolEndpoint)	Mandatory	The endpoint of a link (ActiveConnection).
21.7.18 CIM_MemberOfCollection (ConnectivityCollection to LANEndpoint)	Mandatory	Associates ConnectivityCollection to LANEndpoint.
21.7.19 CIM_MemberOfCollection (Predefined Filter Collection to Fabric Filters)	Conditional	Experimental. Conditional requirement: Required if the Experimental Indication Profile is supported and the SNIA_IndicationConfigurationCapabilities.SupportedFeatures='5' (Predefined Filter Collections). This associates the Fabric predefined FilterCollection to the predefined Filters supported by the Fabric.
21.7.20 CIM_SystemDevice (Switch EthernetPort to Switch)	Mandatory	Associates Switch EthernetPorts to the ComputerSystem (Switch).

21.7.1 CIM_AdminDomain (Ethernet Network)

AdminDomain representing the Ethernet Network.

Created By: Static

Modified By: Static

Deleted By: Static

Requirement: Mandatory

Table 309 describes class CIM_AdminDomain (Ethernet Network).

Table 309 - SMI Referenced Properties/Methods for CIM_AdminDomain (Ethernet Network)

Properties	Flags	Requirement	Description & Notes
CreationClassName		Mandatory	Name of Class.
Name		Mandatory	An arbitrary name (implementation dependent).
NameFormat		Mandatory	Dependent on the arbitrary name chosen.
ElementName		Optional	A user friendly name for the Ethernet Network (implementation dependent).
OtherIdentifyingInfo		Mandatory	For an Ethernet Network AdminDomain this property shall contain the value 'Ethernet'.
IdentifyingDescriptions		Mandatory	For a SAN AdminDomain this property shall contain the value 'SNIA:DetailedType' in the index for the OtherIdentifyingInfo of 'SAN'.

21.7.2 CIM_Component (Switch to Ethernet Network)

Aggregates Switches in the AdminDomain that comprise the Ethernet Fabric.

Created By: Static
 Modified By: Static
 Deleted By: Static
 Requirement: Mandatory

Table 310 describes class CIM_Component (Switch to Ethernet Network).

Table 310 - SMI Referenced Properties/Methods for CIM_Component (Switch to Ethernet Network)

Properties	Flags	Requirement	Description & Notes
PartComponent		Mandatory	Reference to an Ethernet Switch.
GroupComponent		Mandatory	Reference to the AdminDomain representing the Ethernet Network (OtherIdentifyingInfo contains 'Fabric' with a corresponding 'SNIA:DetailedType' in IdentifyingDescriptions').

21.7.3 CIM_ComputerSystem (Ethernet Switch)

The ComputerSystem representing an Ethernet Switch. This is a constrained case of the Switch ComputerSystem. Instance of a Partitioned Switch shall have an entry of 'Virtual Switch' and an entry for the Virtual Fabric ID in the OtherIdentifyingInfo array property (as well as the DomainID for the Switch).

Created By: Static
 Modified By: Static
 Deleted By: Static
 Requirement: Mandatory

Table 311 describes class CIM_ComputerSystem (Ethernet Switch).

Table 311 - SMI Referenced Properties/Methods for CIM_ComputerSystem (Ethernet Switch)

Properties	Flags	Requirement	Description & Notes
CreationClassName		Mandatory	See the CreationClassName definition in section <i>Storage Management Technical Specification, Part 6 Fabric, 1.6.1 Rev 6 4.8.9</i> CIM_ComputerSystem (Switch).
Name	C	Mandatory	See the Name definition in section <i>Storage Management Technical Specification, Part 6 Fabric, 1.6.1 Rev 6 4.8.9</i> CIM_ComputerSystem (Switch).
ElementName		Mandatory	See the ElementName definition in section <i>Storage Management Technical Specification, Part 6 Fabric, 1.6.1 Rev 6 4.8.9</i> CIM_ComputerSystem (Switch).
NameFormat		Mandatory	See the NameFormat definition in section <i>Storage Management Technical Specification, Part 6 Fabric, 1.6.1 Rev 6 4.8.9</i> CIM_ComputerSystem (Switch).
OperationalStatus		Mandatory	See the OperationalStatus definition in section <i>Storage Management Technical Specification, Part 6 Fabric, 1.6.1 Rev 6 4.8.9</i> CIM_ComputerSystem (Switch).
OtherIdentifyingInfo		Mandatory	One element shall contain the DomainID stored in decimal format. Another value corresponding to 'SNIA:DetailedType' shall contain 'Virtual Switch'. Yet another element shall contain a Virtual Fabric ID corresponding to 'SNIA:VF_ID'. In addition, other 'SNIA:DetailedType' entries may also be in this property (e.g., 'Front Domain', 'Translate Domain' or 'Backbone').

Table 311 - SMI Referenced Properties/Methods for CIM_ComputerSystem (Ethernet Switch)

Properties	Flags	Requirement	Description & Notes
Dedicated		Mandatory	Shall be 38 (Ethernet Switch).
EnabledState		Mandatory	Experimental. See the EnabledState definition in section <i>Storage Management Technical Specification, Part 6 Fabric, 1.6.1 Rev 6 4.8.9 CIM_ComputerSystem (Switch)</i> .

21.7.4 CIM_ConnectivityCollection (LANEndpoints to EthernetNetwork)

Collects the ProtocolEndpoints of the fabric.

Created By: Static

Modified By: Static

Deleted By: Static

Requirement: Mandatory

Table 312 describes class CIM_ConnectivityCollection (LANEndpoints to EthernetNetwork).

Table 312 - SMI Referenced Properties/Methods for CIM_ConnectivityCollection (LANEndpoints to EthernetNetwork)

Properties	Flags	Requirement	Description & Notes
InstanceID		Mandatory	Opaque.
ElementName		Optional	Not required, can be the Fabric WWN.

21.7.5 CIM_DeviceSAPImplementation (Ethernet Switch to EthernetPort)

Associates the Ethernet Switch EthernetPort to the LANEndpoint.

Created By: Static

Modified By: Static

Deleted By: Static

Requirement: Mandatory

Table 313 describes class CIM_DeviceSAPImplementation (Ethernet Switch to EthernetPort).

Table 313 - SMI Referenced Properties/Methods for CIM_DeviceSAPImplementation (Ethernet Switch to EthernetPort)

Properties	Flags	Requirement	Description & Notes
Dependent		Mandatory	Reference to the LANEndpoint.
Antecedent		Mandatory	Reference to the Ethernet Switch EthernetPort.

21.7.6 CIM_DeviceSAPImplementation (Non-Switch to EthernetPort)

Associates the Non-Switch (Host or Storage) FCPort to the ProtocolEndpoint.

Created By: Static

Modified By: Static

Deleted By: Static

Requirement: Mandatory

Table 314 describes class CIM_DeviceSAPImplementation (Non-Switch to EthernetPort).

Table 314 - SMI Referenced Properties/Methods for CIM_DeviceSAPImplementation (Non-Switch to EthernetPort)

Properties	Flags	Requirement	Description & Notes
Dependent		Mandatory	Reference to the LANEndpoint.
Antecedent		Mandatory	Reference to the Non-Switch EthernetPort.

21.7.7 CIM_FCActiveConnection (FC Links transported over Ethernet (FCoE))

Experimental. The association between ProtocolEndpoints representing the links between fibre channel devices (including ISLs). For loops and NPIV, multiple ActiveConnections are instantiated as one to many relationships.

Created By: Static

Modified By: Static

Deleted By: Static

Requirement: Mandatory

Table 315 describes class CIM_FCActiveConnection (FC Links transported over Ethernet (FCoE)).

Table 315 - SMI Referenced Properties/Methods for CIM_FCActiveConnection (FC Links transported over Ethernet (FCoE))

Properties	Flags	Requirement	Description & Notes
Discriminator		Mandatory	An array property enumeration used to discriminate the context in which the ActiveConnection is instantiated. The value shall be '10' (FCoE) for the links that are transported over Ethernet.
Antecedent		Mandatory	The reference to the ProtocolEndpoint for one end of the link.
Dependent		Mandatory	The reference to the ProtocolEndpoint for the other end of the link.

21.7.8 CIM_FCPort (Host FCPort)

Fibre Channel Port for Host Platforms.

Created By: Static

Modified By: Static

Deleted By: Static

Requirement: Mandatory

Table 316 describes class CIM_FCPort (Host FCPort).

Table 316 - SMI Referenced Properties/Methods for CIM_FCPort (Host FCPort)

Properties	Flags	Requirement	Description & Notes
SystemCreationClassName		Mandatory	The scoping System's CreationClassName.
SystemName		Mandatory	The scoping System's Name.
CreationClassName		Mandatory	Name of Class.

Table 316 - SMI Referenced Properties/Methods for CIM_FCPort (Host FCPort)

Properties	Flags	Requirement	Description & Notes
DeviceID		Mandatory	Opaque.
ElementName		Optional	Port Symbolic Name if available. Otherwise NULL. If the underlying implementation includes characters that are illegal in CIM strings, then truncate before the first of those characters.
PermanentAddress	CD	Mandatory	Fibre Channel Port WWN. Expressed as 16 un-separated upper case hex digits (see Table 4 for more information about formats).
NetworkAddresses	C	Mandatory	Fibre Channel ID (FCID). Expressed as 8 un-separated upper case hex digits (see Table 4 for more information about formats).
OperationalStatus		Mandatory	One of the defined values (0 2 6 10 11) shall be present in the array value.
PortType		Mandatory	The specific port type (0 1 10 11 12 13 14 15 16 17 18) currently enabled (from FC-GS Port.Type).
LinkTechnology		Mandatory	Shall be 4 ('FC').
SupportedFC4Types		Optional	An array of integers indicating the Fibre Channel FC-4 protocols supported. EXPERIMENTAL When supporting FC-SB, this property shall be either '27' (FC-SB-2 Channel) for Host Ports or '28' (FC-SB-2 Control Unit) for targets. EXPERIMENTAL .
SupportedCOS		Optional	An array of integers indicating the Fibre Channel Classes of Service that are supported. EXPERIMENTAL When supporting FC-SB, this property shall be either '2' or '3' for FC-SB-2 Channel or FC-SB-2 Control Unit ports, respectively. EXPERIMENTAL .

21.7.9 CIM_FCPort (Partitioned Switch FCPort)

Fibre Channel Port for Partitioned Switch.

Created By: Static

Modified By: Static

Deleted By: Static

Requirement: Support for the Switch Partitioning profile.

Table 317 describes class CIM_FCPort (Partitioned Switch FCPort).

Table 317 - SMI Referenced Properties/Methods for CIM_FCPort (Partitioned Switch FCPort)

Properties	Flags	Requirement	Description & Notes
SystemCreationClassName		Mandatory	See the SystemCreationClassName definition in section <i>Storage Management Technical Specification, Part 6 Fabric, 1.6.1 Rev 6 4.8.22</i> CIM_FCPort (Switch FCPort).
SystemName		Mandatory	See the SystemName definition in section <i>Storage Management Technical Specification, Part 6 Fabric, 1.6.1 Rev 6 4.8.22</i> CIM_FCPort (Switch FCPort).
CreationClassName		Mandatory	See the CreationClassName definition in section <i>Storage Management Technical Specification, Part 6 Fabric, 1.6.1 Rev 6 4.8.22</i> CIM_FCPort (Switch FCPort).

Table 317 - SMI Referenced Properties/Methods for CIM_FCPort (Partitioned Switch FCPort)

Properties	Flags	Requirement	Description & Notes
DeviceID		Mandatory	See the DeviceID definition in section <i>Storage Management Technical Specification, Part 6 Fabric, 1.6.1 Rev 6 4.8.22</i> CIM_FCPort (Switch FCPort).
ElementName		Mandatory	See the ElementName definition in section <i>Storage Management Technical Specification, Part 6 Fabric, 1.6.1 Rev 6 4.8.22</i> CIM_FCPort (Switch FCPort).
PermanentAddress	CD	Mandatory	See the PermanentAddress definition in section <i>Storage Management Technical Specification, Part 6 Fabric, 1.6.1 Rev 6 4.8.22</i> CIM_FCPort (Switch FCPort).
Speed		Conditional	Conditional requirement: SwitchSee the Speed definition in section <i>Storage Management Technical Specification, Part 6 Fabric, 1.6.1 Rev 6 12.8.11</i> CIM_FCPort (Switch FCPort).
OperationalStatus		Mandatory	See the OperationalStatus definition in section <i>Storage Management Technical Specification, Part 6 Fabric, 1.6.1 Rev 6 4.8.22</i> CIM_FCPort (Switch FCPort).
PortType		Mandatory	See the PortType definition in section <i>Storage Management Technical Specification, Part 6 Fabric, 1.6.1 Rev 6 4.8.22</i> CIM_FCPort (Switch FCPort).
LinkTechnology		Mandatory	See the LinkTechnology definition in section <i>Storage Management Technical Specification, Part 6 Fabric, 1.6.1 Rev 6 4.8.22</i> CIM_FCPort (Switch FCPort).
EnabledState		Mandatory	Experimental. See the EnabledState definition in section <i>Storage Management Technical Specification, Part 6 Fabric, 1.6.1 Rev 6 4.8.22</i> CIM_FCPort (Switch FCPort).
DetailedPortState		Conditional	Experimental. Conditional requirement: SwitchSee <i>Storage Management Technical Specification, Part 6 Fabric, 1.6.1 Rev 6 Table 136 - DetailedPortState</i> for FCPort.
PortAvailability		Optional	Experimental. See <i>Storage Management Technical Specification, Part 6 Fabric, 1.6.1 Rev 6 Table 137 - PortAvailability</i> for FCPort.
RequestedState		Conditional	Conditional requirement: SwitchSee the RequestedState definition in section <i>Storage Management Technical Specification, Part 6 Fabric, 1.6.1 Rev 6 12.8.11</i> CIM_FCPort (Switch FCPort).
EnabledDefault		Conditional	Conditional requirement: SwitchSee the EnabledDefault definition in section <i>Storage Management Technical Specification, Part 6 Fabric, 1.6.1 Rev 6 12.8.11</i> CIM_FCPort (Switch FCPort).
MaxSpeed		Conditional	Conditional requirement: SwitchSee the MaxSpeed definition in section <i>Storage Management Technical Specification, Part 6 Fabric, 1.6.1 Rev 6 12.8.11</i> CIM_FCPort (Switch FCPort).
PortNumber		Conditional	Conditional requirement: SwitchSee the PortNumber definition in section <i>Storage Management Technical Specification, Part 6 Fabric, 1.6.1 Rev 6 12.8.11</i> CIM_FCPort (Switch FCPort).
PortDiscriminator		Mandatory	Experimental. This array property identifies the context in which this FCPort is instantiated. For a Partitioned Switch FCPort, the values may be '3' (VF), '6' (IFR (Virtual)) or '7' (NPV).
RequestStateChange()		Conditional	Conditional requirement: SwitchFCPortStateChangeSee the RequestStateChange definition in section <i>Storage Management Technical Specification, Part 6 Fabric, 1.6.1 Rev 6 12.8.11</i> CIM_FCPort (Switch FCPort).

21.7.10 CIM_FilterCollection (Fabric Predefined FilterCollection)

Experimental. This is a collection of predefined IndicationFilters to which a client may subscribe. A Fabric implementation shall indicate support for predefined FilterCollections by the SNIA_IndicationConfigurationCapabilities.FeaturesSupported = '5' (Predefined Filter Collections).

Requirement: Required if the Experimental Indication Profile is supported and the SNIA_IndicationConfigurationCapabilities.SupportedFeatures='5' (Predefined Filter Collections).

Table 318 describes class CIM_FilterCollection (Fabric Predefined FilterCollection).

Table 318 - SMI Referenced Properties/Methods for CIM_FilterCollection (Fabric Predefined FilterCollection)

Properties	Flags	Requirement	Description & Notes
InstanceID		Mandatory	Shall specify the unique identifier for an instance of this class within the Implementation namespace.
CollectionName		Mandatory	The value of CollectionName shall be 'SNIA:Fabric'.

21.7.11 CIM_HostedAccessPoint (AdminDomain to LANEndpoint)

Associates the ProtocolEndpoint to the Fabric AdminDomain for those systems not registered in the Platform Database or discovered through FDMI.

Created By: Static

Modified By: Static

Deleted By: Static

Requirement: Mandatory

Table 319 describes class CIM_HostedAccessPoint (AdminDomain to LANEndpoint).

Table 319 - SMI Referenced Properties/Methods for CIM_HostedAccessPoint (AdminDomain to LANEndpoint)

Properties	Flags	Requirement	Description & Notes
Dependent		Mandatory	Reference to the LANEndpoint.
Antecedent		Mandatory	Reference to the Fabric AdminDomain (OtherIdentifyingInfo contains 'Fabric' with a corresponding 'SNIA:DetailedType' in IdentifyingDescriptions).

21.7.12 CIM_HostedAccessPoint (ComputerSystem to LANEndpoint)

Associates the ProtocolEndpoint to the hosting System. The hosting System is a ComputerSystem for the Switch or Platform.

Created By: Static

Modified By: Static

Deleted By: Static

Requirement: Mandatory

Table 320 describes class CIM_HostedAccessPoint (ComputerSystem to LANEndpoint).

Table 320 - SMI Referenced Properties/Methods for CIM_HostedAccessPoint (ComputerSystem to LANEndpoint)

Properties	Flags	Requirement	Description & Notes
Dependent		Mandatory	Reference to the LANEndpoint.
Antecedent		Mandatory	Reference to the Ethernet Switch.

21.7.13 CIM_HostedCollection (Ethernet Network AdminDomain to ConnectivityCollection)

Associates the ConnectivityCollection to the AdminDomain representing the Fabric.

Created By: Static

Modified By: Static

Deleted By: Static

Requirement: Mandatory

Table 321 describes class CIM_HostedCollection (Ethernet Network AdminDomain to ConnectivityCollection).

Table 321 - SMI Referenced Properties/Methods for CIM_HostedCollection (Ethernet Network AdminDomain to ConnectivityCollection)

Properties	Flags	Requirement	Description & Notes
Dependent		Mandatory	Reference to the ConnectivityCollection.
Antecedent		Mandatory	Reference to the Ethernet Network AdminDomain (OtherIdentifyingInfo contains 'Fabric' with a corresponding 'SNIA:DetailedType' in IdentifyingDescriptions).

21.7.14 CIM_HostedCollection (Fabric to predefined FilterCollection)

Experimental.

Requirement: Required if the Experimental Indication Profile is supported and the SNIA_IndicationConfigurationCapabilities.SupportedFeatures='5' (Predefined Filter Collections).

Table 322 describes class CIM_HostedCollection (Fabric to predefined FilterCollection).

Table 322 - SMI Referenced Properties/Methods for CIM_HostedCollection (Fabric to predefined FilterCollection)

Properties	Flags	Requirement	Description & Notes
Dependent		Mandatory	Reference to the predefined FilterCollection for the Fabric.
Antecedent		Mandatory	Reference to the Fabric AdminDomain.

21.7.15 CIM_HostedDependency (ComputerSystem (Ethernet Switch) to Partitioning ComputerSystem)

Experimental. The association representing the relationship of the FCPort that hosts the FCPorts that are virtualized. This association is required for all FCPorts that are instantiated as part of NPIV.

Created By: Static

Modified By: Static
 Deleted By: Static
 Requirement: Optional

Table 323 describes class CIM_HostedDependency (ComputerSystem (Ethernet Switch) to Partitioning ComputerSystem).

Table 323 - SMI Referenced Properties/Methods for CIM_HostedDependency (ComputerSystem (Ethernet Switch) to Partitioning ComputerSystem)

Properties	Flags	Requirement	Description & Notes
Antecedent		Mandatory	A reference to the hosting Host FCPort ("physical? fibre channel port).
Dependent		Mandatory	A reference to the hosted Host NPIV FCPort (virtualized fibre channel port with PortDiscriminator='7').

21.7.16 CIM_HostedDependency (FCPort to EthernetPort)

Experimental. The association representing the relationship of the EthernetPort that hosts the FCPorts for FCoE. This association is required for all FCPorts at the Hosts that are instantiated as part of FCoE.

Created By: Static
 Modified By: Static
 Deleted By: Static
 Requirement: Optional

Table 324 describes class CIM_HostedDependency (FCPort to EthernetPort).

Table 324 - SMI Referenced Properties/Methods for CIM_HostedDependency (FCPort to EthernetPort)

Properties	Flags	Requirement	Description & Notes
Antecedent		Mandatory	A reference to the hosting Host EthernetPort ("physical?").
Dependent		Mandatory	A reference to the hosted FCPort for FCoE (virtualized fibre channel port with PortDiscriminator='10').

21.7.17 CIM_LANEndpoint (Ethernet ProtocolEndpoint)

The endpoint of an ethernet link.

Created By: Static
 Modified By: Static
 Deleted By: Static
 Requirement: Mandatory

Table 325 describes class CIM_LANEndpoint (Ethernet ProtocolEndpoint).

Table 325 - SMI Referenced Properties/Methods for CIM_LANEndpoint (Ethernet ProtocolEndpoint)

Properties	Flags	Requirement	Description & Notes
SystemCreationClassName		Mandatory	The scoping System's CreationClassName.
SystemName		Mandatory	The scoping System's Name.
CreationClassName		Mandatory	Name of Class.

Table 325 - SMI Referenced Properties/Methods for CIM_LANEndpoint (Ethernet ProtocolEndpoint)

Properties	Flags	Requirement	Description & Notes
Name	D	Mandatory	The MACAddress.
NameFormat		Mandatory	'MACAddress'.
ProtocollIFType		Mandatory	Shall be 6(Ethernet).

21.7.18CIM_MemberOfCollection (ConnectivityCollection to LANEndpoint)

Created By: Static

Modified By: Static

Deleted By: Static

Requirement: Mandatory

Table 326 describes class CIM_MemberOfCollection (ConnectivityCollection to LANEndpoint).

Table 326 - SMI Referenced Properties/Methods for CIM_MemberOfCollection (ConnectivityCollection to LANEndpoint)

Properties	Flags	Requirement	Description & Notes
Collection		Mandatory	Reference to the ConnectivityCollection.
Member		Mandatory	Reference to the LANEndpoint.

21.7.19CIM_MemberOfCollection (Predefined Filter Collection to Fabric Filters)

Experimental. This associates the Fabric predefined FilterCollection to the predefined Filters supported by the Fabric.

Requirement: Required if the Experimental Indication Profile is supported and the SNIA_IndicationConfigurationCapabilities.SupportedFeatures='5' (Predefined Filter Collections).

Table 327 describes class CIM_MemberOfCollection (Predefined Filter Collection to Fabric Filters).

Table 327 - SMI Referenced Properties/Methods for CIM_MemberOfCollection (Predefined Filter Collection to Fabric Filters)

Properties	Flags	Requirement	Description & Notes
Collection		Mandatory	Reference to the Fabric predefined FilterCollection.
Member		Mandatory	Reference to the predefined IndicationFilters of the Fabric.

21.7.20CIM_SystemDevice (Switch EthernetPort to Switch)

Associates the Switch EthernetPort to the ComputerSystem (Switch).

Created By: Static

Modified By: Static

Deleted By: Static

Requirement: Mandatory

Table 328 describes class CIM_SystemDevice (Switch EthernetPort to Switch).

Table 328 - SMI Referenced Properties/Methods for CIM_SystemDevice (Switch EthernetPort to Switch)

Properties	Flags	Requirement	Description & Notes
PartComponent		Mandatory	The reference to the switch EthernetPort.
GroupComponent		Mandatory	The reference to the Switch ComputerSystem.

EXPERIMENTAL

Annex A (informative) SMI-S Information Model

This standard is based on DMTF's CIM schema, version 2.41. The DMTF schema is available in the machine-readable Managed Object Format (MOF) format. DMTF MOFs are simultaneously released both as an "Experimental" and a "Final" version of the schema. This provides developers with early access to experimental parts of the models. Both versions are available at http://dmf.org/standards/cim/cim_schema_v2410

Most SMI-S Profiles are primarily based on the DMTF Final MOFs. Content marked as "Experimental" or "Implemented" may be based on DMTF's Experimental MOFs. Some SMI-S Experimental Profiles may also use classes with a SNIA_ prefix; MOFs from these classes are available from SNIA.

Annex B (Informative) Structure of Fabric Profiles

EXPERIMENTAL

B.1 Purpose of this Annex

This is an informative annex to the *Storage Management Technical Specification, Part 6 Fabric, 1.6.1 Rev 6* to explain how the main profiles in this part interact. Particular focus is put on the various definitions and usages of CIM_AdminDomain, CIM_ComputerSystem and CIM_FCPort.

B.2 Overview of Fabric Part Profiles

Figure B.1 illustrates the profiles defined in *Storage Management Technical Specification, Part 6 Fabric, 1.6.1 Rev 6* and how they relate.

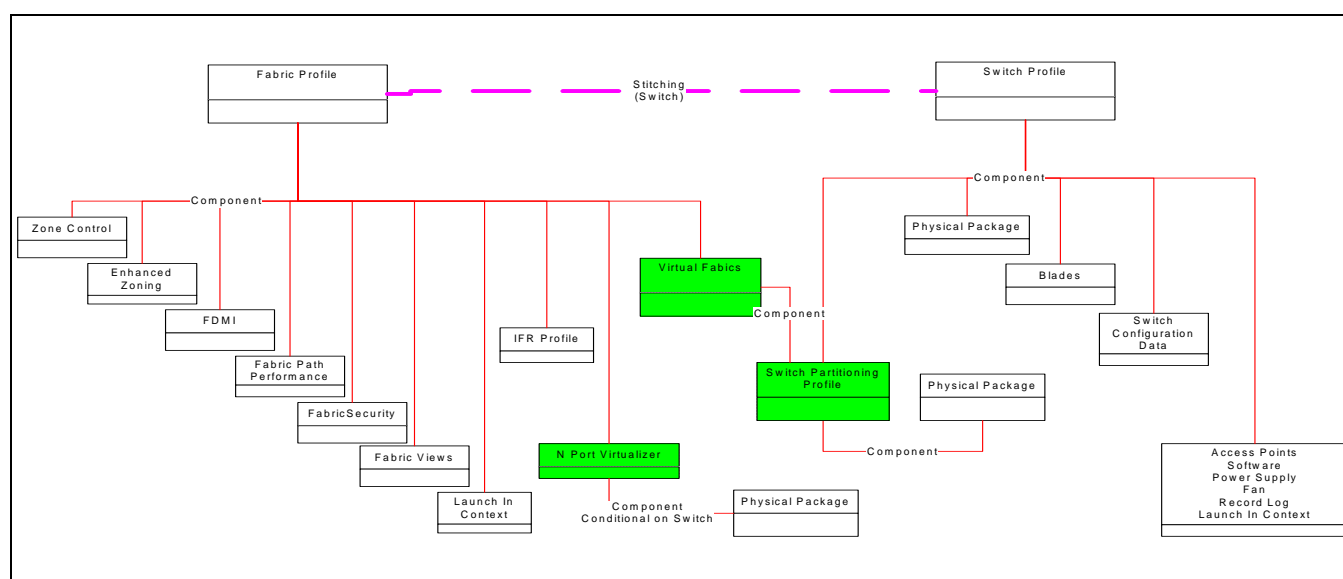


Figure B.1 - The structure of the Fabric Part Profiles

There are two main Autonomous Profiles: the Fabric Profile and the Switch Profile. The other profiles shown are component profiles of either the Fabric or Switch Profiles. In the case of the Switch Partitioning Profile, it may be a component of either the Fabric Profile (when Virtual Fabrics are implemented) or the Switch Profile.

The Fabric Profile (and its component profiles) are distinguished by the existence of instances of the CIM_AdminDomain class. There are two types of CIM_AdminDomain instances. One type represents a Fabric and the other represents a SAN.

Both the Fabric and Switch Profiles reference various types of Switches (represented by CIM_ComputerSystem) and other types of CIM_ComputerSystem instances. Between the two profiles, nine distinct variations of CIM_ComputerSystem are defined. CIM_ComputerSystem is used to represent a Switch, a Partitioned Switch, an IFR Switch, a Backbone Switch, a Storage Platform, a Host Platform, a Gateway Switch, a "partitioning" system or a "partitioned" system.

An implementation may implement both the Fabric and Switch Profiles. When this is done, the switches in the Fabric Profile will have the same Name property as the switches in the Switch Profile. Some properties are required if the either profile is implemented (e.g., Name, NameFormat and Dedicated), some properties are required if Fabric Profile is implemented and some properties are required if the Switch Profile is implemented.

Like CIM_ComputerSystem, both the Fabric Profile and the Switch Profile make references to instances of CIM_FCPort. There are 8 distinct types of Ports. An instance of an FCPort can be one or more of the a switch FCPort, a partitioned switch FCPort, an IFR FCPort, a Fabric NPIV FCPort, a Host NPIV Port, a Gateway FCPort or a non-Switch (Platform) FCPort. In addition, a port may also be a NetworkPort attached to a Partitioning System.

To understand which AdminDomain, ComputerSystem or FCPort a particular instance is, a client would inspect certain properties of these classes. In some cases, it will be necessary to also inspect associations on the instance to determine which type of instance it is.

For AdminDomain, the distinguishing properties are OtherIdentifyingInfo and IdentifyingDescriptions. A SAN will have an OtherIdentifyingInfo="SAN" with a corresponding IdentifyingDescription="SNIA:DetailedType". A fabric will have an OtherIdentifyingInfo="Fabric" with a corresponding IdentifyingDescription="SNIA:DetailedType". All instances of AdminDomain shall have one of these two values. Furthermore, an instance of AdminDomain shall not specify both "SAN" and "Fabric" in their OtherIdentifyingInfo values (with a corresponding IdentifyingDescription="SNIA:DetailedType").

For ComputerSystem, the distinguishing properties are Dedicated, OtherIdentifyingInfo and IdentifyingDescriptions. The Fabric Profile defines 4 types of CIM_ComputerSystem instances: A Switch, a Partitioned Switch, a Storage Platform and a Host Platform. In addition, the IFR component profile of the Fabric defines an IFR Switch CIM_ComputerSystem and the N Port Virtualizer defines an N Port Virtualizer CIM_ComputerSystem. In addition, if the Virtual Fabrics Profile is implemented, this profile introduces a "partitioning" CIM_ComputerSystem. So, a complete implementation of the Fabric Profile (and its component profiles) results in 7 different types of CIM_ComputerSystem.

The Switch Profile defines 2 types of CIM_ComputerSystems: Switch and Partitioned Switch. These are similar to the Fabric definitions of Switch and Partitioned Switch ComputerSystems, but there are slight differences. In addition, if the Switch Partitioning Profile is implemented, the "Partitioning" CIM_ComputerSystem and "Partitioned" CIM_ComputerSystem are introduced. These are the same as the partitioning and partitioned CIM_ComputerSystems defined in Virtual Fabrics.

For FCPort, the distinguishing property is the PortDiscriminator property of FCPort for most types of FCPort. A Partitioned Switch FCPort contains a "3" in its PortDiscriminator. An IFR FCPort contains either a "5" or "6" in its PortDiscriminator. An NPIV FCPort (either Host or Fabric) contains a "7" in its PortDiscriminator. Other Ports are "undistinguished" (Platform FCPorts, non-virtual FCPorts, Gateway FCPorts and Network Ports). For these ports they would need to be distinguished by association. For example, a Network Port would be the Antecedent of a HostedDependency association from an FCPort. A Gateway FCPort would NOT be a Fabric NPIV FCPort that is also associated to a Gateway (N Port Virtualizer) ComputerSystem. Platform FCPorts would have a SystemDevice association to either a Platform ComputerSystem (Host or Storage) or to a Fabric AdminDomain. Non-virtual FCPorts are ports that have a SystemDevice to one of the switch ComputerSystems and do not have a PortDiscriminator property or it has one that does not contain the value "3".

B.3 Property and Association Requirements

For each of the multiple types of class instances for CIM_AdminDomain, CIM_ComputerSystem and CIM_FCPort there are differences in property requirements and association patterns.

B.3.1 A.3.1 CIM_AdminDomain Requirements

Table B.1 identifies the properties of CIM_AdminDomain to be supported by SAN and Fabric instances. The values for the distinguishing properties are identified. Otherwise, the property merely identifies

whether it is Mandatory, Optional or Conditional. If it is Conditional, the condition is identified in the notes at the bottom of Table B.1.

Table B.1 - AdminDomain Properties

AdminDomain Property	SAN	Fabric
CreationClassName	Mandatory	Mandatory
Name	Mandatory	Mandatory
NameFormat	Mandatory	Mandatory
ElementName	Optional	Optional
OtherIdentifyingInfo	Mandatory - "SAN"	Mandatory - "Fabric"
		Conditional (1) - Virtual Fabric ID
IdentifyingDescriptions	Mandatory - "SNIA:DetailedType"	Mandatory - "SNIA:DetailedType"
		Conditional (1) - "SNIA:VF_ID"
(1) - If the Virtual Fabrics Profile is implemented, then the OtherIdentifyingInfo will contain a virtual fabric ID and the IdentifyingDescriptions will contain "SNIA:VF_ID"		

A SAN AdminDomain has an OtherIdentifyingInfo value of "SAN" and a Fabric AdminDomain has an OtherIdentifyingInfo value of "Fabric". Each must have a corresponding value of "SNIA:DetailedType" in the IdentifyingDescriptions array property. In addition, if the Virtual Fabrics Profile is implemented, the Fabric AdminDomain would also have a virtual fabric ID in the OtherIdentifyingInfo array property (with a corresponding "SNIA:VF_ID" in the IdentifyingDescriptions array property).

Graphically, this is illustrated in Figure B.2. The SAN and Fabric instances are different (as distinguished by OtherIdentifyingInfo and IdentifyingDescriptions). For Virtual Fabrics, a virtual fabric ID also shows up in the OtherIdentifyingInfo array property.

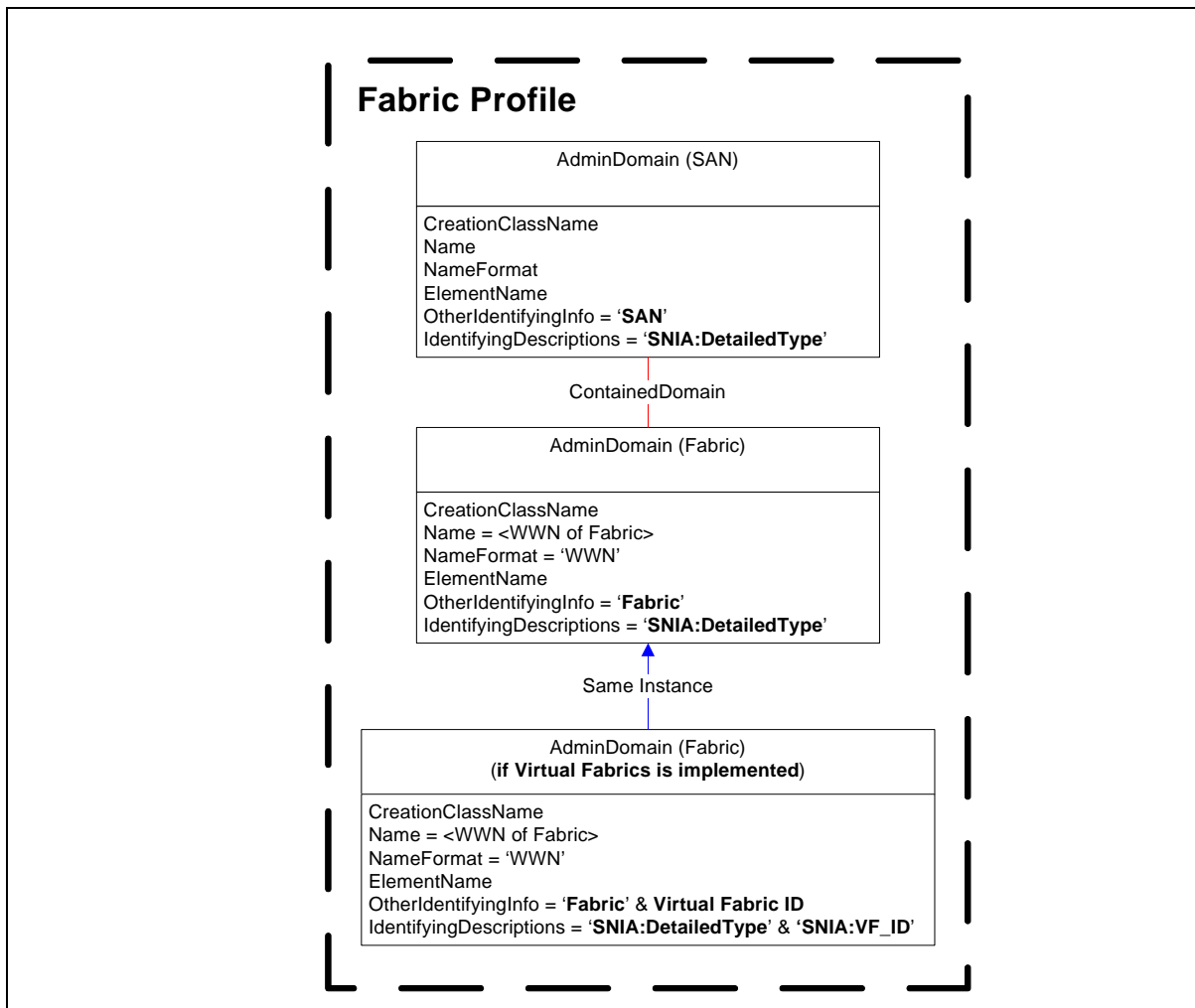


Figure B.2 - AdminDomain Properties

The association pattern for CIM_AdminDomain instances is illustrated in Table B.2

Table B.2 - AdminDomain Associations

Association on AdminDomain	SAN	Fabric
ContainedDomain to AdminDomain (SAN or Fabric)	Mandatory	Mandatory
ElementConformsToProfile to RegisteredProfile (for Virtual Fabric)	Conditional (1)	N/A
Component to ComputerSystem (Partitioning)	Conditional (2)	N/A
Component to ComputerSystem (Switch, Partitioned Switch or IFR Switch)	N/A	Mandatory
ElementCapabilities to ZoneCapabilities	N/A	Mandatory
HostedCollection to ConnectivityCollection	N/A	Mandatory
HostedCollection to Zone (Active or Inactive)	N/A	Mandatory
HostedCollection to ZoneSet (Active or Inactive)	N/A	Mandatory

Table B.2 - AdminDomain Associations

Association on AdminDomain	SAN	Fabric
ElementConformsToProfile to RegisteredProfile (for Fabric)	N/A	Mandatory
Component to ComputerSystem (Storage or Host)	N/A	Optional
HostedAccessPoint to ProtocolEndpoint (Host or Storage)	N/A	Optional
SystemDevice to FCPort (non-Switch FCPort)	N/A	Optional
HostedService to a ZoneService	N/A	Optional (3)
HostedCollection to a NamedAddressCollection	N/A	Conditional (4)
HostedService to an AuthorizationService	N/A	Conditional (5)
ServiceAffectsElement to an AuthorizationService	N/A	Conditional (5)
ServiceAvailableToElement to an AuthorizationService	N/A	Conditional (5)
<p>(1) - The ElementConformsToProfile from the SAN AdminDomain to the Virtual Fabrics RegisteredProfile is conditional on the implementation of the Virtual Fabrics Profile</p> <p>(2) - The Component from the SAN AdminDomain to the ComputerSystem (Partitioning) is conditional on the implementation of the Virtual Fabrics Profile (and Switch Partitioning)</p> <p>(3) - The HostedService association is optional if the Zone Control Profile is implemented.</p> <p>(4) - The HostedCollection to a NamedAddressCollection is conditional on the implementation of the Enhanced Zoning and Zoning Control Profile</p> <p>(5) - The HostedService, ServiceAffectsElement and ServiceAvailableToElement from a Fabric AdminDomain are required if the Fabric Security Profile is implemented</p>		

Both the SAN and Fabric share the ContainedDomain association (they point to each other). All other associations are unique to either the SAN or Fabric AdminDomain instances. Note that some associations are conditional on implementation of certain component profiles. For example, if the Virtual Fabric component profile is implemented, an ElementConformsToProfile is required between the SAN AdminDomain and the Virtual Fabric RegisteredProfile. And if Switch Partitioning is implemented, then an ElementConformsToProfile is required between the Partitioning System and the Switch Partitioning RegisteredProfile.

Some of the associations are listed as Optional (#). For example, the HostedService association between a Fabric AdminDomain and a ZoneService is optional if the Zone Control Profile is implemented. It is optional, because the ZoneService may be hosted on either a Fabric AdminDomain or a Switch ComputerSystem.

Graphically, this is illustrated in Figure B.3 (Optional associations are not shown for simplicity).

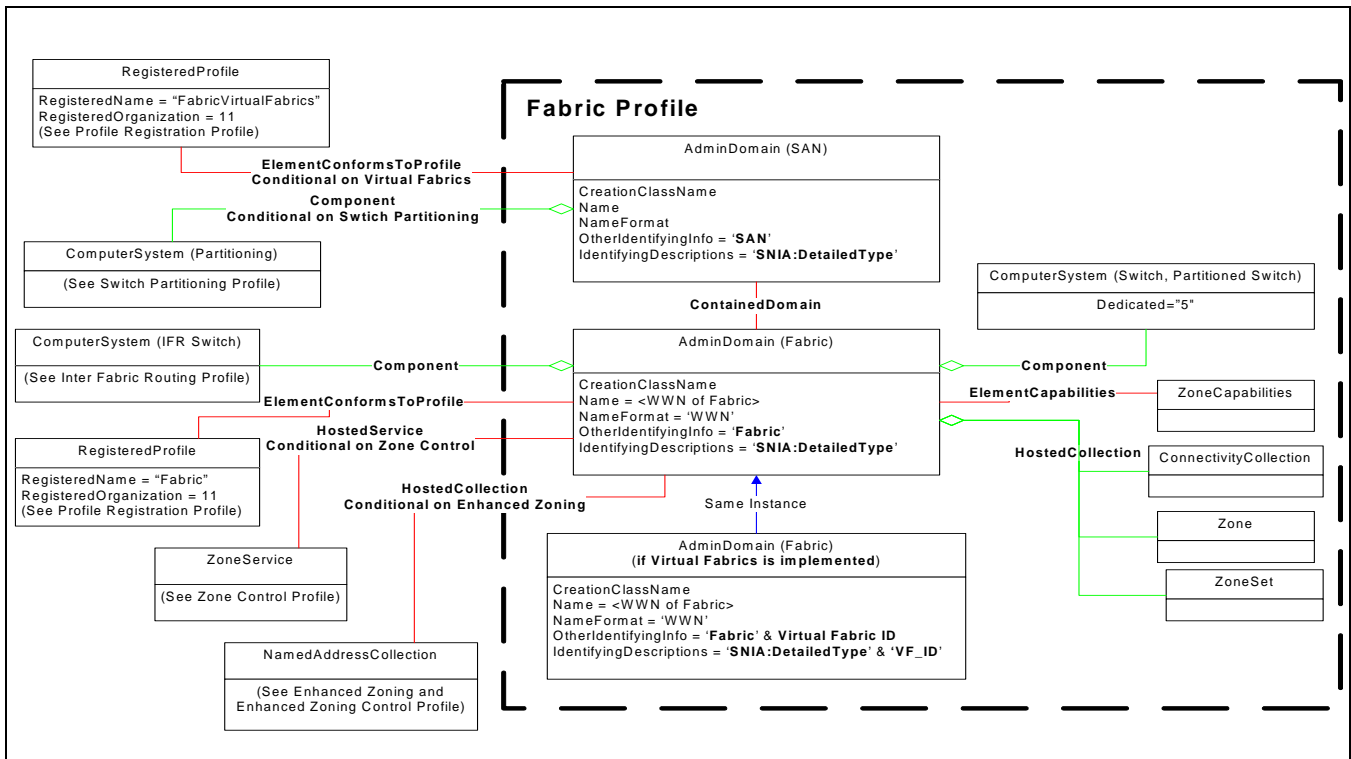


Figure B.3 - Associations on AdminDomains

For simplicity, the optional associations are not shown in Figure B.3. A SAN AdminDomain only has the ContainedDomain association to the Fabric AdminDomain. But if Virtual Fabrics (and Switch Partitioning) are implemented, then there are two more associations: An ElementConformsToProfile to the Virtual Fabrics RegisteredProfile and a Component association to the Partitioning ComputerSystem.

All associations on the Fabric AdminDomain would also apply to the Virtual Fabric. The ElementConformsToProfile goes to the Fabric RegisteredProfile in both cases. All Switches that participate in the Fabric have a Component association to the Fabric AdminDomain. This includes partitioned switches (and IFR Switches, if the Inter Fabric Routing Profile is implemented). In addition, all ConnectivityCollections, Zones and ZoneSets for the Fabric are Hosted on the Fabric AdminDomain. And the ZoneCapabilities are associated to the Fabric AdminDomain.

Other associations (e.g., HostedService to the ZoneService and HostedCollection to NamedAddressCollections) are required if certain component profiles are implemented (as indicated in Figure 3).

B.3.2 CIM_ComputerSystem Requirements

The various types of CIM_ComputerSystems instances may or may not be referring to an instance. For example, if both the Fabric and Switch Profiles are implemented, the Switch ComputerSystems defined in both profiles refer to the same instance (and the requirements from Fabric and Switch Profiles both apply to the instance).

Similarly, if a Partitioned ComputerSystem also happens to be a Partitioned Switch, then both the requirements of the Partitioned ComputerSystem and the Partitioned Switch apply to the ComputerSystem instance.

In order to explain the various types of ComputerSystems, the various types of Switch ComputerSystems are treated first. Then the other types of ComputerSystems will be addressed.

B.3.2.1 Switch ComputerSystems

Table B.3 identifies the properties of CIM_ComputerSystem to be supported by Switch ComputerSystem instances. The values for the distinguishing properties are identified. Otherwise, the property merely identifies whether it is Mandatory, Optional or Conditional. If it is Conditional, the condition is identified in the footnotes of the table.

Table B.3 - Switch ComputerSystem Properties

Computer System Property	Switch	Partitioned Switch	IFR Switch	Backbone Switch
CreationClassName	Mandatory	Mandatory	Mandatory	Mandatory
Name	Mandatory	Mandatory	Mandatory	Mandatory
ElementName	Conditional (1)	Conditional (1)	Mandatory	Mandatory
NameFormat	Mandatory	Mandatory	Mandatory	Mandatory
OperationalStatus	Mandatory	Mandatory	Mandatory	Mandatory
OtherIdentifyingInfo	Conditional (1)	Conditional (1) Virtual Fabric ID Conditional (3) "Virtual Switch"	Mandatory "Translate Domain" or "Front Domain"	Mandatory "Backbone"
IdentifyingDescriptions	Conditional (1)	Conditional (1) "SNIA:VF_ID" Conditional (3) "SNIA:DetailedType"	Mandatory "SNIA:DetailedType"	Mandatory "SNIA:DetailedType"
Dedicated	Mandatory - "5"	Mandatory - "5"	Mandatory - "5"	Mandatory - "5"
EnabledState	Conditional (1)	Conditional (1)	Mandatory	Mandatory
RequestedState	Conditional (2)	Conditional (2)	Conditional (2)	Conditional (2)
EnabledDefault	Optional	Optional	Optional	Optional
RequestedStateChange()	Conditional (2)	Conditional (2)	Conditional (2)	Conditional (2)
(1) - ElementName, OtherIdentifyingInfo and IdentifyingDescriptions are Mandatory if the Fabric Profile is implemented. (2) - RequestedState is Mandatory if the Switch Profile is implemented and FCSwitchCapabilities.RequestedStatesSupported is not NULL. (3) - OtherIdentifyingInfo and IdentifyingDescriptions are Mandatory if Switch Partitioning is implemented. If Switch Partitioning is implemented the Partitioned system that is a Switch has the value "Virtual Switch" and a corresponding "SNIA:DetailedType"				

The current assumption is that a partitioned switch and an IFR Switch are logically subclasses of Switch and if the Switch Profile is implemented, then the RequestedStateChange method is to be supported as defined for the base switch. However, state change is not currently covered in either the Switch Partitioning or the Inter Fabric Routing Profiles.

The first thing to notice is that a Switch always has Dedicated="5". That is, it is a ComputerSystem that performs some switch related functions. If the Fabric Profile has been implemented, then OtherIdentifyingInfo and IdentifyingDescriptions are also required. If OtherIdentifyingInfo only contains the DomainID of the Switch, then it is not a Partitioned Switch or an IFR Switch. If it also contains "Translate Domain" or "Front Domain", then it is an IFR Switch. If it also contains "Backbone", then it is a backbone switch. If it contains "Virtual Switch", then it is a Partitioned Switch and it will also contain the virtual fabric ID.

If only the Switch Profile has been implemented, then OtherIdentifyingInfo and IdentifyingDescriptions may not be present. If the Switch Profile has been implemented, then the RequestedStateChange method

may also be supported. This would be conditional on the FCSwitchCapabilities have a non-NULL value for the RequestedStatesSupported property.

Graphically, the various switches are represented by Figure B.4.

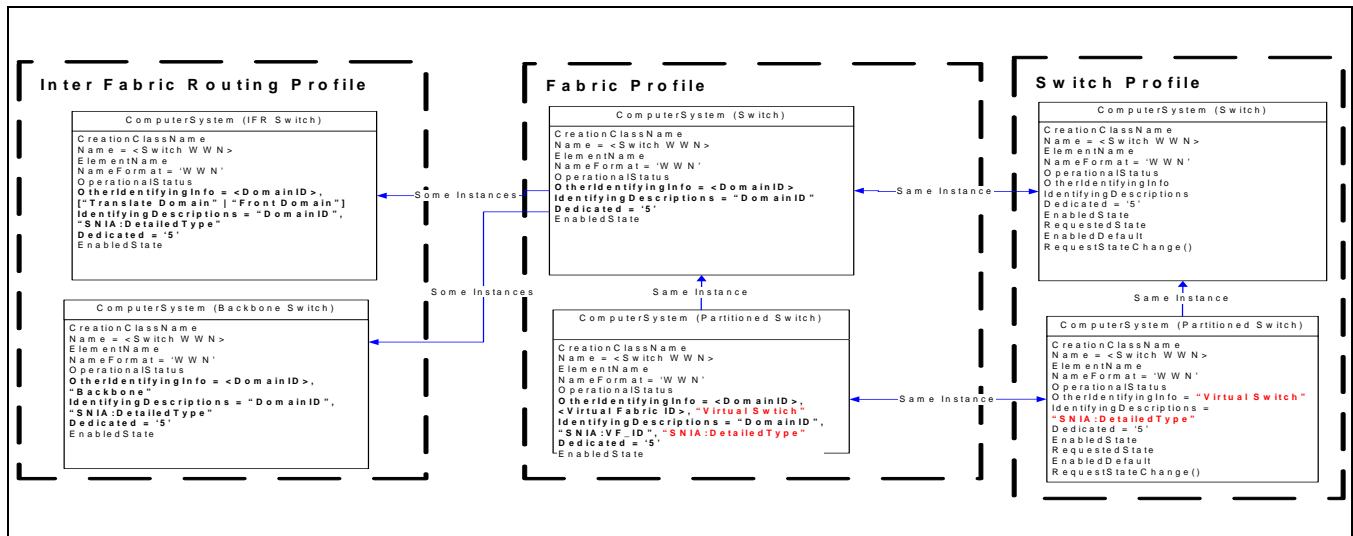


Figure B.4 - Properties of various Switches

The Fabric and Switch Profile versions of the Class Switch ComputerSystem are different. However, they represent the same instance. So if both profiles are implemented, then the requirements are merged. The Fabric requirement for OtherIdentifyingInfo applies, as does the extra properties called for by the Switch Profile definition of the Switch ComputerSystem. If the Virtual Fabrics or Switch Partitioning Profiles are implemented, then the Partitioned Switch ComputerSystem(s) are implemented. These augment the definitions of the base Switch profiles. So, in any given implementation one of the above definitions of the Switch or Partitioned Switch ComputerSystem definitions apply (depending on what profiles have been implemented).

In contrast, the IFR Switch and the backbone Switch ComputerSystems are constrained versions of the Fabric (or Virtual Fabric) definition of a Switch. Specifically, it defines the set of switches that are constrained to "Translate Domain", "Front Domain" or "Backbone" switches.

The association pattern for Switch CIM_ComputerSystem instances is illustrated in Table B.4.

Table B.4 - Switch ComputerSystem Associations

Association on Switch ComputerSystem	Switch	Partitioned Switch	IFR Switch	Backbone Switch
SystemDevice to an FCPort (Switch FCPort)	Mandatory	Mandatory	Mandatory	Mandatory
Component to an AdminDomain (Fabric)	Conditional (1)	Conditional (1)	Mandatory	Mandatory
ElementCapabilities to a ZoneCapabilities	Conditional (1)	Conditional (1)	Mandatory	Mandatory
HostedAccessPoint to a ProtocolEndpoint	Conditional (1)	Conditional (1)	Mandatory	Mandatory
HostedCollection to a Zone	Conditional (1)	Conditional (1)	Mandatory	Mandatory
HostedCollection to a ZoneSet	Conditional (1)	Conditional (1)	Mandatory	Mandatory
InstalledSoftwareIdentity to a SoftwareIdentity	Conditional (2)	Conditional (2)	Conditional (2)	Conditional (2)

Table B.4 - Switch ComputerSystem Associations

Association on Switch ComputerSystem	Switch	Partitioned Switch	IFR Switch	Backbone Switch
ComputerSystemPackage to a PhysicalPackage	Conditional (2)	Conditional (2)	Conditional (2)	Conditional (2)
ElementCapabilities to an FCSwitchCapabilities	Conditional (2)	Conditional (2)	Conditional (2)	Conditional (2)
HostedCollection to a StatisticsCollection	Conditional (2)	Conditional (2)	Conditional (2)	Conditional (2)
HostedDependency to a ComputerSystem (Partitioning)	Conditional (3)	Conditional (3)	Conditional (3)	Conditional (3)
SystemDevice to a LogicalModule	Conditional (4)	Conditional (4)	Conditional (4)	Conditional (4)
HostedService to a ZoneService	Optional (5)	Optional(5)	Optional (5)	Optional(5)
HostedCollection to a NamedAddressCollection	Conditional (6)	Conditional (6)	Conditional (6)	Conditional (6)
(1) - Conditional on the implementation of the Fabric Profile (2) - Conditional on the implementation of the Switch Profile (3) - Conditional on the implementation of the Switch Partitioning Profile (or Virtual Fabrics) (4) - Conditional on the implementation of the Blades Profile (5) - Optional presence with the implementation of the Zone Control Profile (6) - The HostedCollection to a NamedAddressCollection is conditional on the implementation of the Enhanced Zoning and Zoning Control Profile				

From Table B.4 the only association that is common to both all definitions of switches is the SystemDevice association to FCPorts. All other associations are conditional on one of three profiles: The Fabric Profile, the Switch Profile, or the Switch Partitioning Profile.

The associations defined in the Fabric Profile are to Fabric-related classes (e.g., Zones or Zonesets). The associations defined in the Switch Profile are to Switch-related classes (e.g., FCSwitchCapabilities). The one association introduced by the Switch Partitioning Profile is the HostedDependency association to the Partitioning ComputerSystem.

NOTE The IFR Switch has no unique associations. It inherits its associations from the Fabric (and Switch) definitions.

Associations are illustrated in Figure B.5.

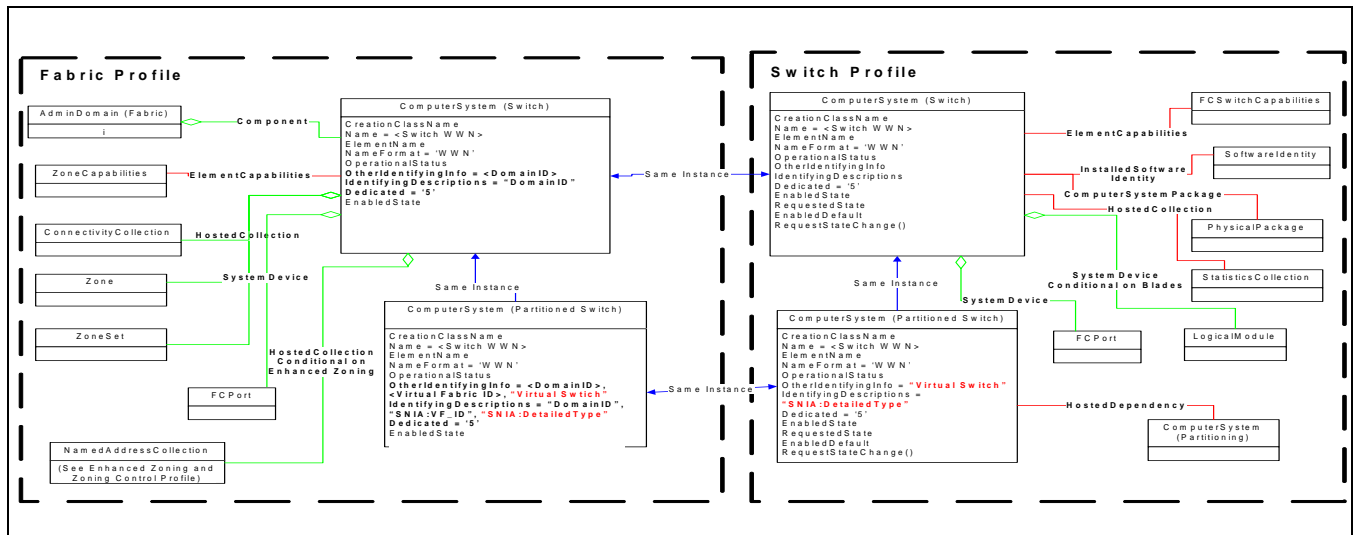


Figure B.5 - Associations on Switches

As illustrated by Figure B.5 there is "shrub" of associations defined by the Fabric Profile for Switch (and Partitioned Switch) ComputerSystems. These associations are to classes defined in the Fabric Profile (e.g., the Fabric AdminDomain). Similarly, there is a "shrub" of associations defined by the Switch Profile for Switch (and Partitioned Switch) ComputerSystems. These associations are to classes defined in the Switch Profile (e.g., FCSwitchCapabilities). Both the Fabric and Switch Profiles define the same association to FCPorts (the SystemDevice association). If Fabric Profile implementation does not also implement the Switch Profile, then only the shrub of Fabric associations need be implemented. And if a Switch Profile implementation does not also implement the Fabric Profile, then only the shrub of Switch associations need to be implemented.

Partitioned Switches, in either case, inherit the associations defined for the Switch ComputerSystems. So, for example, a Partitioned Switch needs to have an associated PhysicalPackage.

The Switch Partitioning Profile introduces the requirement to model the HostedDependency from the Partitioned Switch ComputerSystem to a Partitioning ComputerSystem.

B.3.2.2 Non-Switch ComputerSystems

Table B.5 identifies the properties of CIM_ComputerSystem to be supported by non-Switch ComputerSystem instances. The values for the distinguishing properties are identified. Otherwise, the property merely identifies whether it is Mandatory, Optional or Conditional. If it is Conditional, the condition is identified in the footnotes of the table.

Table B.5 - Non-Switch ComputerSystem Properties

Computer System Property	Host Platform	Storage Platform	Gateway	Partitioning	Partitioned
CreationClassName	Mandatory	Mandatory	Mandatory	Mandatory	Mandatory
Name	Mandatory	Mandatory	Mandatory	Mandatory	Mandatory
ElementName	Mandatory	Mandatory	Mandatory		
NameFormat	Mandatory	Mandatory	Mandatory		
OperationalStatus			Mandatory		
Dedicated	"0" or "1"	"1" or "3"	"20"	"0" Plus	Mandatory
OtherIdentifyingInfo					Conditional (1)
IdentifyingDescriptions					Conditional (1)
EnabledState					
(1) - The OtherIdentifyingInfo and IdentifyingDescriptions are required if Virtual Fabrics is implemented (to identify the VF_ID for the Partitioned System)					

The primary way of distinguishing the non-switch ComputerSystems is via the Dedicated property, although it is not always deterministic from just the Dedicated property. For example, a Host Platform ComputerSystem may have Dedicated="0" (for Host) or "1" ("unknown"). A Storage Platform may have Dedicated="3" (for storage) or "1" ("unknown"). There is no way to determine if a Platform is storage or host, if the value "1" ("unknown") is used. All we know is that it would be an end node (a Platform).

A Gateway ComputerSystem is distinguished by Dedicated="20". A Partitioning system would have multiple values in the Dedicated property and one of those values would be "0" (NOTE: This would distinguish it from a Host Platform, which would only have the single value of "0").

A Partitioned system would have a Dedicated value that corresponds to the function performed by the Partitioned system (e.g., "20" if the partitioned system is a Gateway).

Figure B.6 illustrates these systems and their properties graphically.

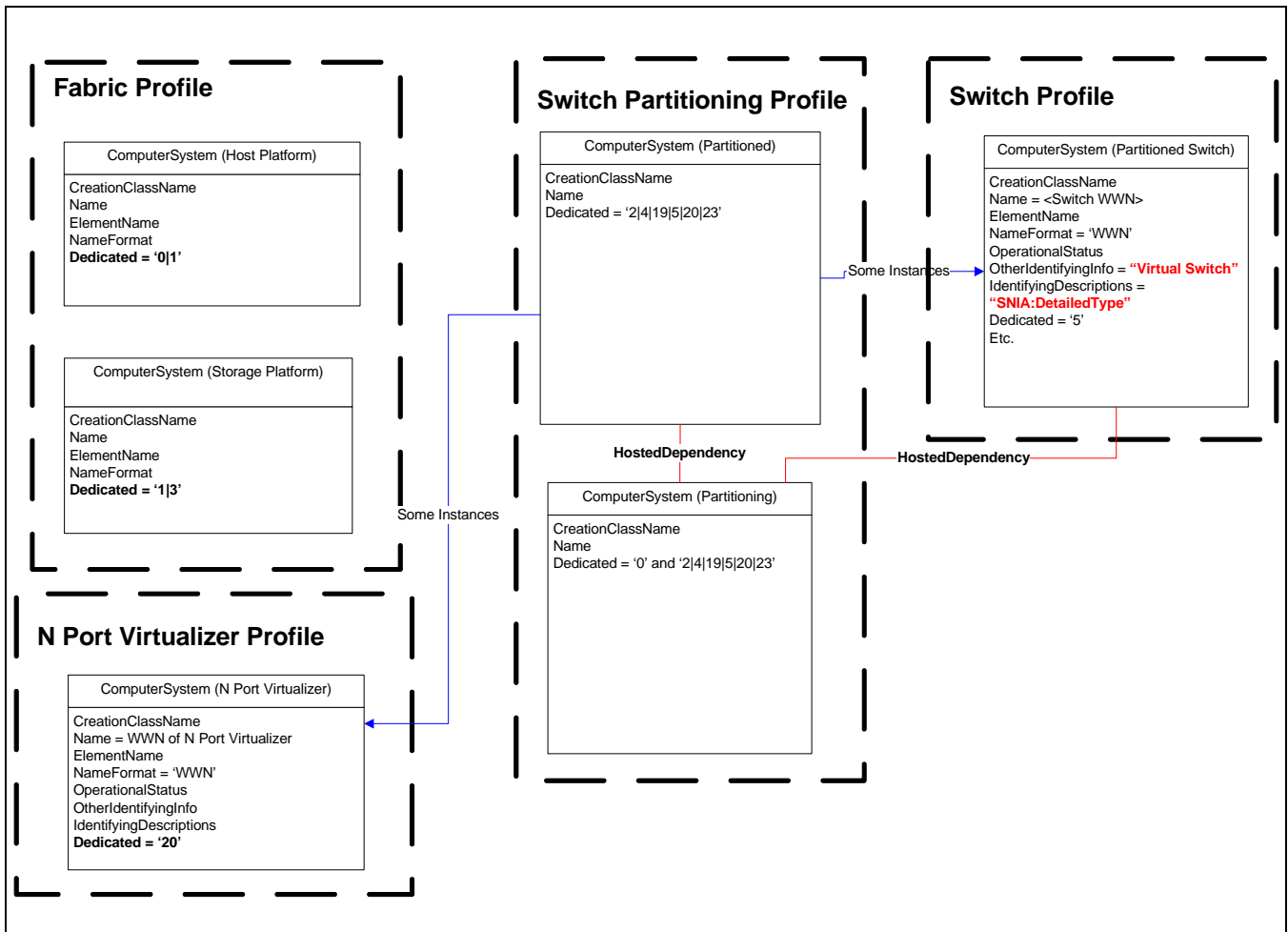


Figure B.6 - General ComputerSystem Properties

For the most part, each of the instances shown in Figure B.6 represent different instances. The only exception is the Partitioned ComputerSystem which can be any partitioned switch or a Gateway ComputerSystem. A Platform cannot be a Partitioned System (it is virtual with no physical representation).

The association pattern for non-Switch CIM_ComputerSystem instances is illustrated in Table B.6.

Table B.6 - Non-Switch ComputerSystem Associations

Association on ComputerSystem	Host Platform	Storage Platform	Gateway	Partitioning	Partitioned
Component to a Fabric AdminDomain	Optional Conditional (1)	Optional Conditional (2)	Conditional (3)		Conditional (4)
HostedAccessPoint to ProtocolEndpoints	Mandatory Conditional (1)	Mandatory Conditional (2)			
SystemDevice to FCPorts	Optional Conditional (1)	Optional Conditional (2)			

Table B.6 - Non-Switch ComputerSystem Associations

Association on ComputerSystem	Host Platform	Storage Platform	Gateway	Partitioning	Partitioned
HostedAccessPoint to an N Port Virtualizer ProtocolEndpoint			Mandatory		
SystemDevice to NPIV or Gateway FCPorts			Mandatory		
SystemDevice to a NetworkPort				Mandatory	
Component to SAN AdminDomain				Mandatory	
HostedDependency to a Partitioned ComputerSystem				Mandatory	
ElementConformsTo Profile to a Switch Partitioning RegisteredProfile				Mandatory	
SystemDevice to a Virtual FCPort					Mandatory
HostedDependency to a Partitioning System					Mandatory
<p>(1) - The Component, HostedAccessPoint and SystemDevice Associations are conditional on the implementation of the Host Platform ComputerSystem</p> <p>(2) - The Component, HostedAccessPoint and SystemDevice Associations are conditional on the implementation of the Storage Platform ComputerSystem</p> <p>(3) - The Component Association to the Fabric is conditional on the implementation of the N Port Virtualizer Profile</p> <p>(4) - The Component Association to the Fabric is conditional on implementation of the Fabric Profile (and the Virtual Fabric Profile).</p>					

From Table B.6 each type of non-switch ComputerSystem instance has its own "shrub" of associations. If a Host Platform ComputerSystem is instantiated, then it is to have a Component association to its Fabric, and HostedAccessPoint and SystemDevice associations for its ProtocolEndpoints and FCPorts. A similar set of associations are required for Storage Platform ComputerSystem instances.

Notice also that all of these non-switch types of ComputerSystem instances have the Component association to some Fabric AdminDomain, with the exception of the Partitioning ComputerSystem. The Partitioning ComputerSystem has its Component association to a SAN AdminDomain. The Partitioning ComputerSystem instances also have an ElementConformsToProfile association to the RegisteredProfile instance for the Switch Partitioning Profile (to which it conforms).

Finally, notice that a Partitioned ComputerSystem instance has a HostedDependency association to a Partitioning ComputerSystem instance.

This is graphically illustrated in Figure B.7.

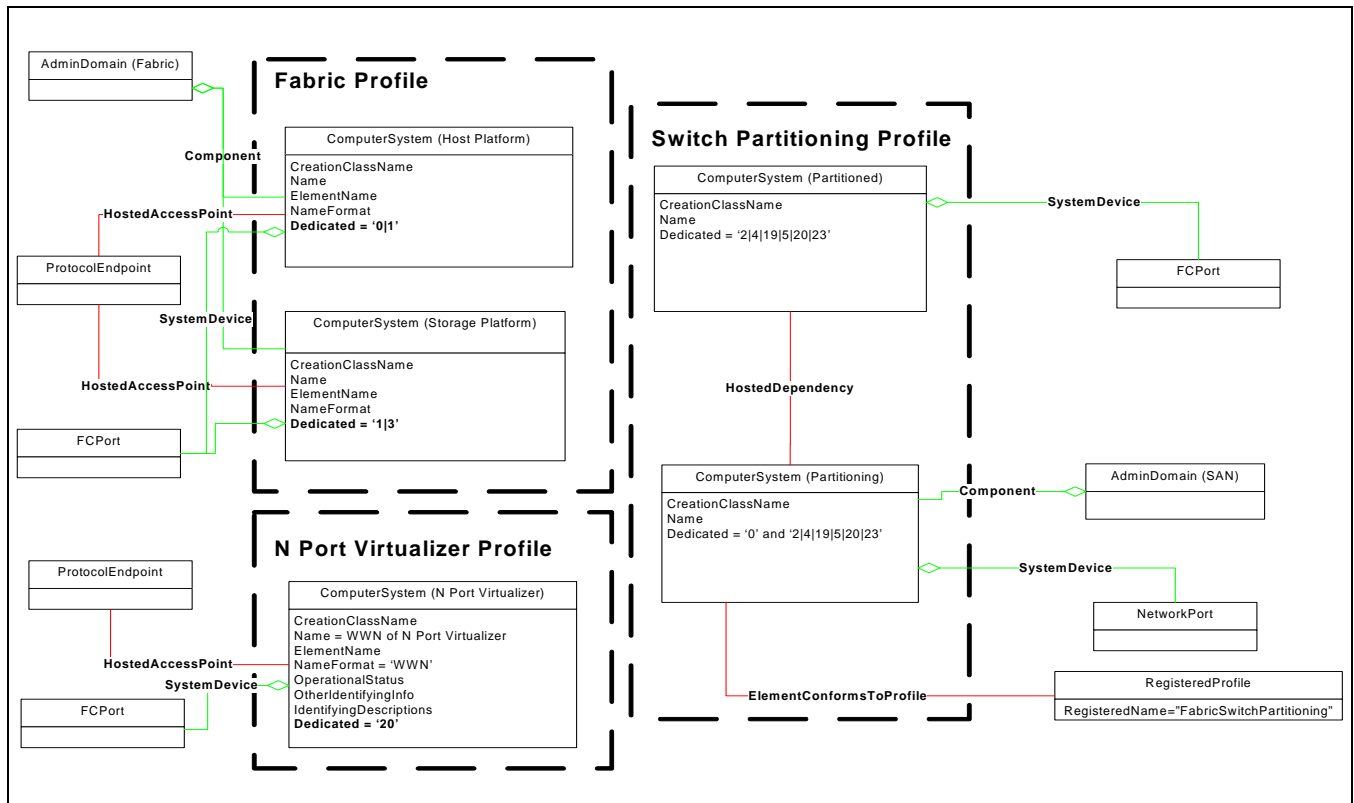


Figure B.7 - General ComputerSystem Associations

In Figure B.7 we can see the non-Switch ComputerSystems and their associations. Each has some sort of port associated to it via SystemDevice. All except the Partitioning ComputerSystem are associated to an FCPort. The Partitioning ComputerSystem is associated to a NetworkPort (which may or may not be an FCPort). ComputerSystems defined in the Fabric Profile (or the N Port Virtualizer component profile of Fabric) also have associations to ProtocolEndpoints. The ComputerSystems in the Switch Partitioning Profile do not have ProtocolEndpoints (unless, of course, the Partitioned ComputerSystem also happens to be a Switch, N Port Virtualizer or Platform).

B.3.3 Port Requirements

B.3.3.1 Switch CIM_FCPort Requirements

Table B.7 identifies the properties of Switch CIM_FCPort to be supported by FCPort instances. The values for the distinguishing properties are identified. Otherwise, the property merely identifies whether it is Mandatory, Optional or Conditional. If it is Conditional, the condition is identified in the footnotes of the table.

Table B.7 - Switch FCPort Properties

Switch FCPort Property	Switch FCPort	Partitioned Switch FCPort	IFR FCPort
SystemCreationClassName	Mandatory	Mandatory	Mandatory
SystemName	Mandatory	Mandatory	Mandatory
CreationClassName	Mandatory	Mandatory	Mandatory

Table B.7 - Switch FCPort Properties

Switch FCPort Property	Switch FCPort	Partitioned Switch FCPort	IFR FCPort
DeviceID	Mandatory	Mandatory	Mandatory
ElementName	Mandatory	Mandatory	Mandatory
PermanentAddress	Mandatory	Mandatory	Mandatory
OperationalStatus	Mandatory	Mandatory	Mandatory
PortType	Mandatory	Mandatory	Mandatory
LinkTechnology	Mandatory - "4"	Mandatory - "4"	Mandatory - "4"
EnabledState	Conditional (1)	Conditional (1)	Mandatory
Speed	Conditional (2)	Conditional (2)	Conditional (2)
DetailedPortState	Conditional (2)	Conditional (2)	Conditional (2)
RequestedState	Conditional (2)	Conditional (2)	Conditional (2)
EnabledDefault	Conditional (2)	Conditional (2)	Conditional (2)
MaxSpeed	Conditional (2)	Conditional (2)	Conditional (2)
PortNumber	Conditional (2)	Conditional (2)	Conditional (2)
RequestedStateChange()	Conditional (3)	Conditional (3)	Conditional (3)
PortDiscriminator	Optional	Conditional (4) - "3"	Mandatory - "5" or "6"
NetworkAddresses	N/A	N/A	N/A
PortAvailability	Optional	Optional	
SupportedFC4Types		N/A	N/A
SupportedCOS		N/A	N/A
<p>(1) - EnabledState is required if the Fabric Profile is implemented, otherwise it is optional. (2) - Several properties (e.g., Speed) are required if the Switch Profile is implemented, otherwise they are not required. (3) - Support for the RequestedStateChange method is required if the Switch Profile is implemented and FCPortCapabilities.RequestedStatesSupported is not empty. (4) - The PortDiscriminator will contain "3" if the Switch Partitioning (including Virtual Fabrics) is implemented.</p>			

From Table B.7 there are several properties (e.g., DeviceID) that are required for any implementation of a switch FCPort instance. In addition, EnabledState is required if the Fabric Profile is implemented. And there are several properties that are required if the Switch Profile is implemented.

The types of Switch FCPorts may be distinguished by the PortDiscriminator. The base definition of a Switch FCPort does not require a PortDiscriminator (in either Fabric or the Switch Profile). However, if switch partitioning (or Virtual Fabrics) are implemented, then the virtual ports will be distinguished by a PortDiscriminator value of "3". And an IFR Port will be distinguished by the value "5" or "6". Note that these ports are the ports that are associated to a Translate Domain or Front Domain Switch. Ports on the Backbone switch would be undistinguished.

Figure B.8 Illustrates these instances graphically.

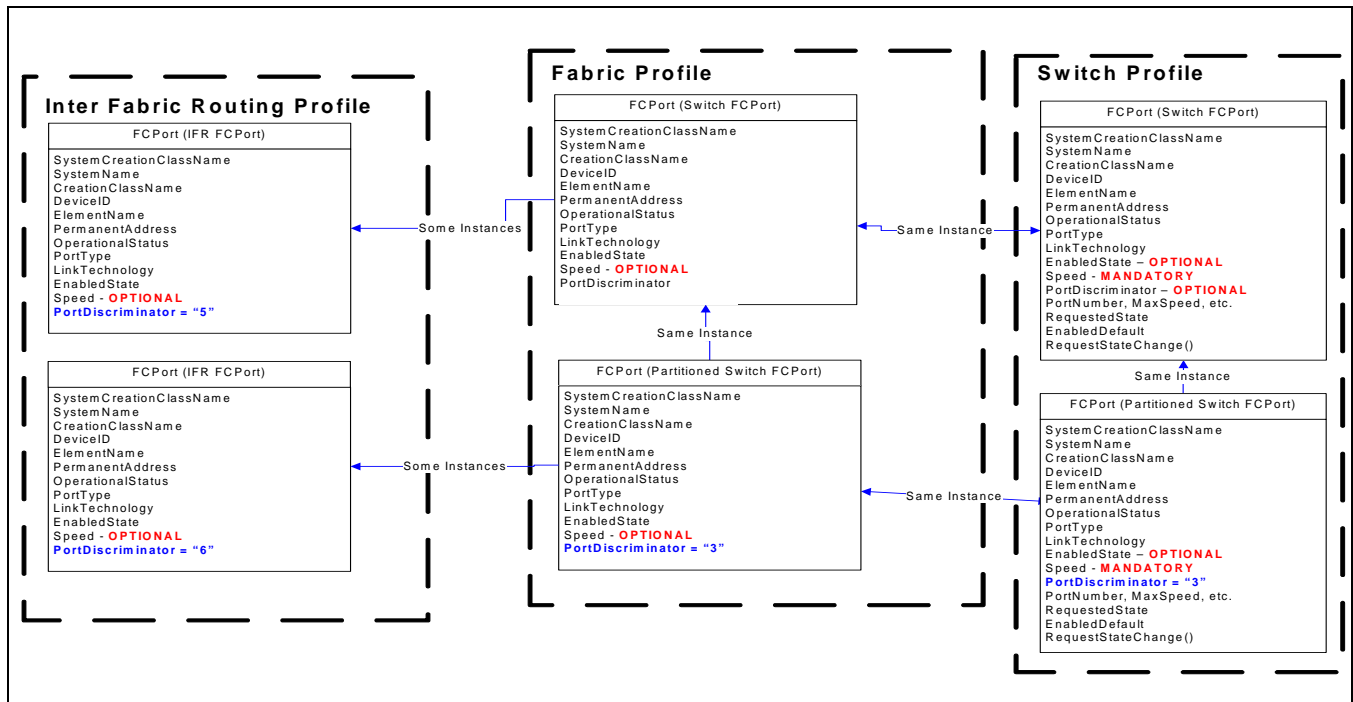


Figure B.8 - Switch FCPort Properties

The base definition of a Switch FCPort in both the Fabric and Switch Profiles are undistinguished (by PortDiscriminator). If Virtual Fabrics or Switch Partitioning are implemented, then the PortDiscriminator will contain "3" for Virtual FCPort. And IFR FCPorts (the ones associated to a Translate Domain or Front Domain) are distinguished by "5" (IFR) or "6" (IFR (Virtual IFR)).

Note that Backbone Switch FCPorts would be undistinguished from other Switch FCPorts. A Backbone Switch FCPort may be a virtual FCPort (PortDiscriminator="3").

The association pattern for Switch CIM_FCPort instances is illustrated in Table B.8.

Table B.8 - Switch FCPort Associations

Association on Switch FCPort	Switch FCPort	Partitioned Switch FCPort	IFR FCPort
SystemDevice to a Switch ComputerSystem	Mandatory	Mandatory	Mandatory
DeviceSAPImplementation to a ProtocolEndpoint	Conditional (1)	Conditional (1)	Mandatory
ElementCapabilities to an FCPortCapabilities	Conditional (2)	Conditional (2)	Conditional (2)
ElementStatisticalData to an FCPortStatistics	Conditional (2)	Conditional (2)	Conditional (2)
ElementSettingData to an FCPortSettings	Optional (3)	Optional (3)	Optional (3)
ElementStatisticalData to an FCPortRateStatistics	Optional (3)	Optional (3)	Optional (3)
MemberOfCollection to a RedundancySet	Optional (3)	Optional (3)	Optional (3)
ModulePort to a LogicalModule	Conditional (4)	Conditional (4)	Conditional (4)
SystemDevice to a Partitioned ComputerSystem (or Switch)		Conditional (5)	Conditional (5)

Table B.8 - Switch FCPort Associations

Association on Switch FCPort	Switch FCPort	Partitioned Switch FCPort	IFR FCPort
HostedDependency to a NetworkPort		Conditional (5)	Conditional (5)
<p>(1) - The DeviceSAPImplementation to a ProtocolEndpoint is conditional on implementation of the Fabric Profile</p> <p>(2) - The ElementCapabilities and ElementStatisticalData to an FCPortStatistics are conditional on the implementation of the Switch Profile</p> <p>(3) - The ElementSettingData, ElementStatisticalData to an FCPortRateStatistics and MemberOfCollection may be present (optional) if the Switch Profile is implemented</p> <p>(4) - The ModulePort association is conditional on the implementation of the Blades Profile.</p> <p>(5) - If the Switch Partitioning Profile is implemented, then virtual FCPorts will have their SystemDevice association to a Partitioned Switch and the Virtual FCPorts will also have a HostedDependency to a Network Port (on a Partitioning System).</p>			

From Table B.8 all Switch FCPorts will have a SystemDevice association to some type of Switch ComputerSystem. All other associations are dependent on what profiles are implemented. For example, implementation of the Fabric Profile requires a DeviceSAPImplementation association from the Switch FCPort to a ProtocolEndpoint. And implementation of the Switch Profile requires the implementation of an ElementCapabilities association to an FCPortCapabilities instance. Notice that a Virtual FCPort will have a HostedDependency to a NetworkPort of a Partitioning System, as illustrated in Figure B.9.

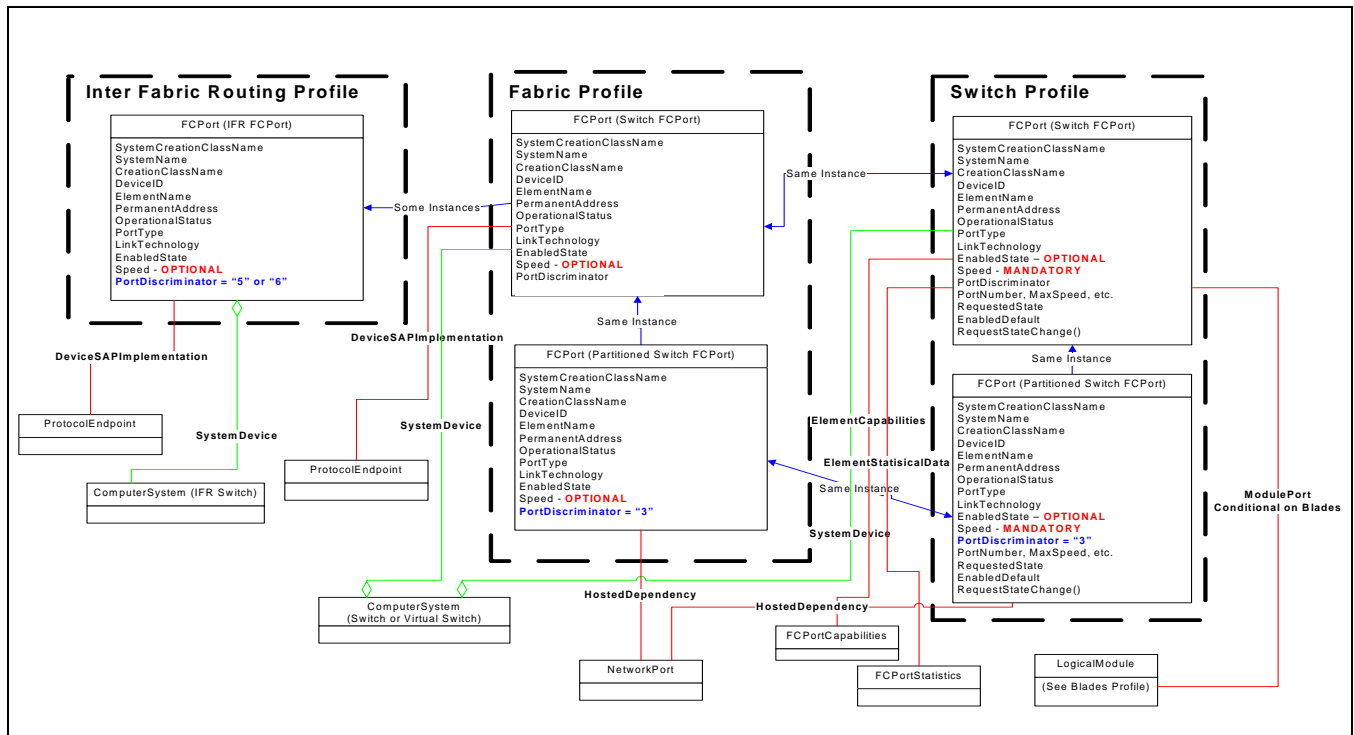


Figure B.9 - Switch FCPort Associations

Figure B.9 shows there are a "shrub" of associations that are called for (required) by the Fabric Profile and another "Shrub" of associations that are called for (required) by the Switch Profile. In general, ProtocolEndpoints are required if the Fabric Profile is implemented and FCPortCapabilities are required if the Switch Profile is implemented. In addition, if the Blades Profile is implemented, the switch FCPort will have a ModulePort association to the LogicalModule it is part of.

If a Switch FCPort has a PortDiscriminator property value of "3" it is a Partitioned Switch FCPort. The only association that is added to the picture if a port is a partitioned switch FCPort is the HostedDependency association to a NetworkPort on a Partitioning System.

B.3.3.2 Non-Switch Port Requirements

Table B.9 identifies the properties of non-switch ports to be supported by NetworkPort instances. The values for the distinguishing properties are identified. Otherwise, the property merely identifies whether it is Mandatory, Optional or Conditional. If it is Conditional, the condition is identified in the footnotes of the table.

Table B.9 - Non-Switch Port Properties

Port Property	Fabric NPIV FCPort	Gateway FCPort	Network Port	Host or Storage FCPort	Host NPIV FCPort
SystemCreationClassName	Mandatory	Mandatory	Mandatory	Mandatory	Mandatory
SystemName	Mandatory	Mandatory	Mandatory	Mandatory	Mandatory
CreationClassName	Mandatory	Mandatory	Mandatory	Mandatory	Mandatory
DeviceID	Mandatory	Mandatory	Mandatory	Mandatory	Mandatory
ElementName	Optional	Optional		Optional	Optional
PermanentAddress	Mandatory	Mandatory		Mandatory	Mandatory
OperationalStatus	Mandatory	Mandatory		Mandatory	Mandatory
PortType	Mandatory - "10"	Mandatory - "10"		Mandatory - "10"	Mandatory - "10"
LinkTechnology	Mandatory - "4"	Mandatory - "4"		Mandatory - "4"	Mandatory - "4"
NetworkAddresses	Mandatory	Mandatory		Mandatory	Mandatory
PortDiscriminator	Mandatory - "7"	Mandatory			Mandatory - "7"
SupportedFC4Types	Optional	Optional		Optional	Optional
SupportedCOS	Optional	Optional		Optional	Optional

From Table B.9 it can be seen that non-switch FCPorts are largely undistinguished. These, in general, must be distinguished by associations to other classes. Even the NPIV ports (PortDiscriminator="7") can be either a component of a N Port Virtualizer or a component of a Host Platform. Also notice that there are few requirements on the NetworkPorts, which are associated with the Partitioning System.

Figure B.10 Illustrates these instances graphically.

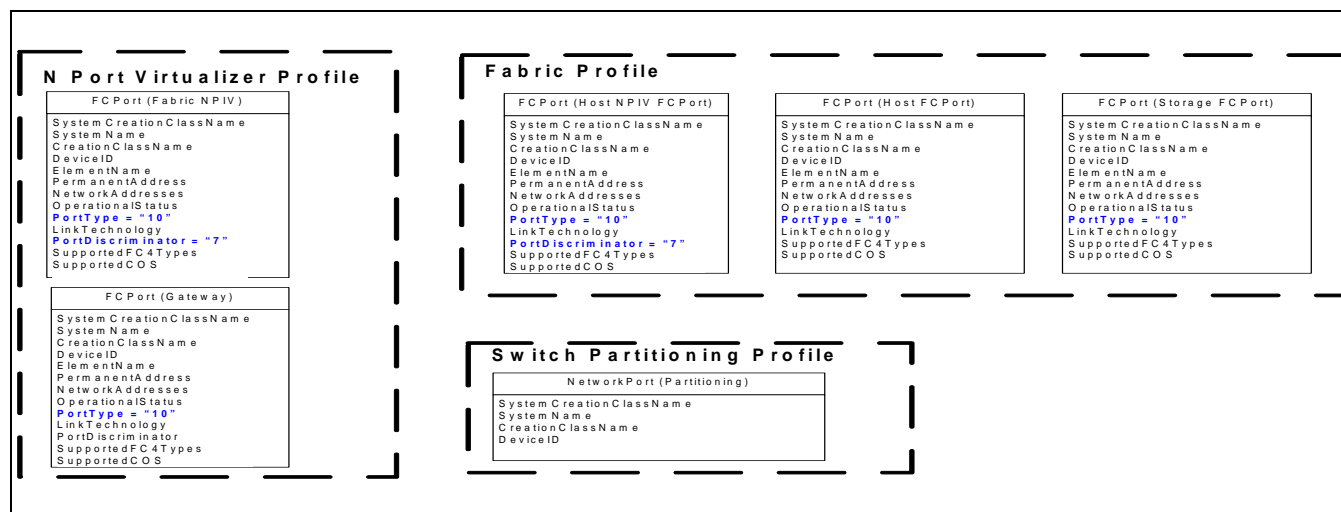


Figure B.10 - Non-Switch Port Properties

There are six different types of non-Switch FCPorts. The N Port Virtualizer FCPorts (Gateway and NPIV) are "switch like", but are associated to the N Port Virtualizer ComputerSystem. The non-switch Ports defined in the Fabric Profile are Platform (Host or Storage) FCPorts. The Host FCPorts may be NPIV FCPorts or not. The NetworkPort of the Switch Partitioning Profile may or may not be an FCPort.

All but the NetworkPort have a PortType="10" (an N port). NPIV ports (whether in the N Port Virtualizer or a Host Platform) have a PortDiscriminator="7". Other ports are not distinguished by properties.

The association pattern for non-switch port instances is illustrated in Table B.10.

Table B.10 - Non-Switch Port Associations

Association on Port	Fabric NPIV FCPort	Gateway FCPort	Network Port	Host or Storage FCPort	Host NPIV FCPort
DeviceSAPImplementation to a ProtocolEndpoint	Conditional (1)	Conditional (1)		Conditional (2)	Conditional (2)
HostedDependency to a NetworkPort	Conditional (3)	Conditional (3)			
HostedDependency to a Host FCPort					Mandatory
SystemDevice to a Gateway ComputerSystem	Mandatory	Mandatory			
MemberOfCollection to a LogicalPortGroup				Mandatory	
SystemDevice to a Platform (Host or Storage) ComputerSystem				Optional (4)	Optional (4)
SystemDevice to a Fabric AdminDomain				Optional (4)	
SystemDevice to a Partitioned ComputerSystem (or Switch)				Conditional (5)	
SystemDevice to a Partitioning ComputerSystem			Mandatory		

Table B.10 - Non-Switch Port Associations

Association on Port	Fabric NPIV FCPort	Gateway FCPort	Network Port	Host or Storage FCPort	Host NPIV FCPort
ElementCapabilities to a NetworkPortCapabilities			Mandatory		
ElementSettingData to a NetworkPortSettings			Mandatory		

(1) - The DeviceSAPImplementation to a ProtocolEndpoint is conditional on the implementation of the N Port Virtualizer (for Fabric NPIV FCPorts and Gateway FCPorts).

(2) - The DeviceSAPImplementation to a ProtocolEndpoint is conditional in the implementation of the Fabric Profile (for Host or Storage FCPorts, including Host NPIV FCPorts).

(3) - The HostedDependency to a NetworkPort is conditional on the implementation of the Switch Partitioning Profile.

(4) - For Platform (Host or Storage) FCPorts, a SystemDevice association is required to either a Fabric AdminDomain or a Platform ComputerSystem

(5) - This case may never happen

From Table B.10 one can see the unique associations for the various non-switch Ports. For Fabric NPIV FCPorts, the FCPort has a PortDiscriminator of "7" and is associated to an N Port Virtualizer. For a Gateway FCPort, it too is associated to an N Port Virtualizer, but its PortDiscriminator does not contain the value "7". For a NetworkPort, it is associated to a Partitioning System and is the antecedent in a HostedDependency association. For a Host or Storage FCPort, it will have a SystemDevice association to a Host or Storage Platform ComputerSystem or to the Fabric AdminDomain. For the Host NPIV Port, it will also have a PortDiscriminator of "7", as illustrated in Figure B.11.

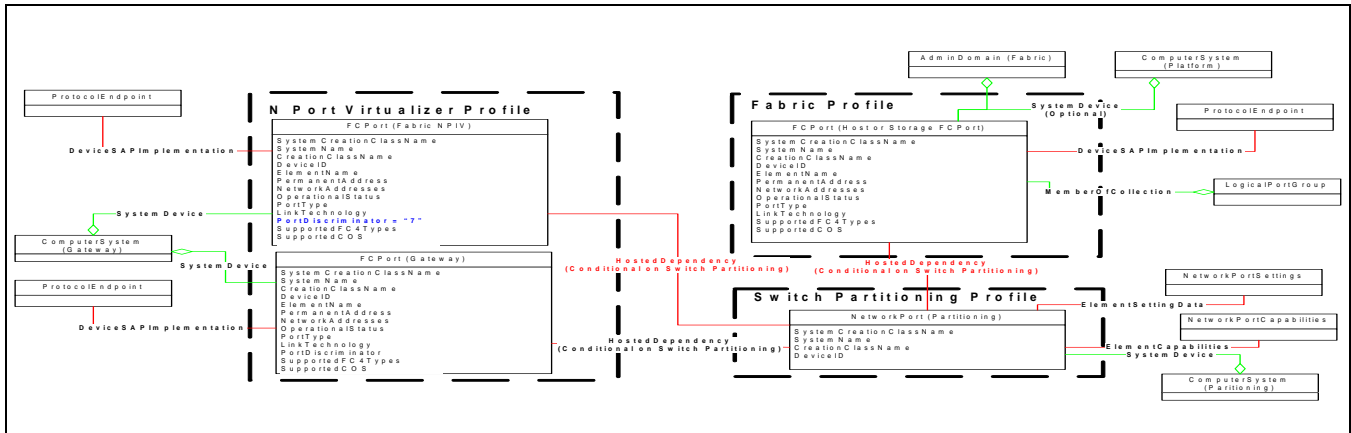


Figure B.11 - Non-Switch Port Associations

EXPERIMENTAL

